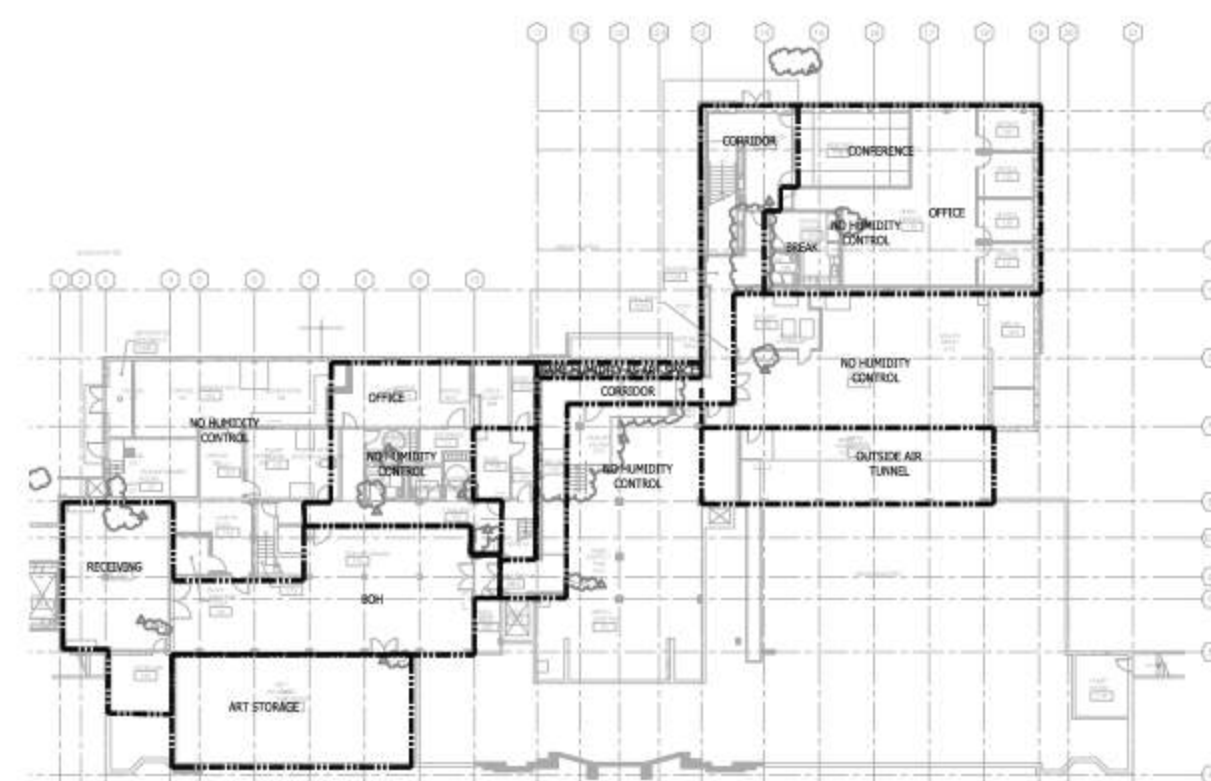
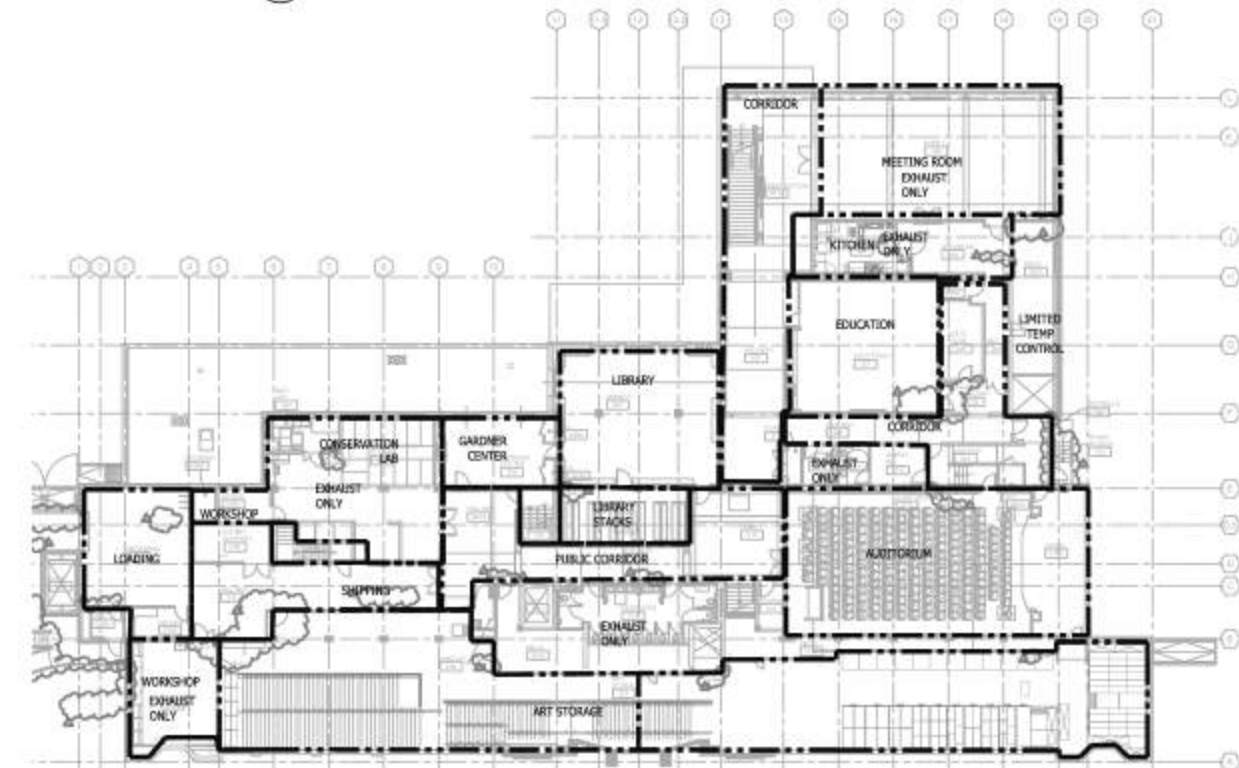


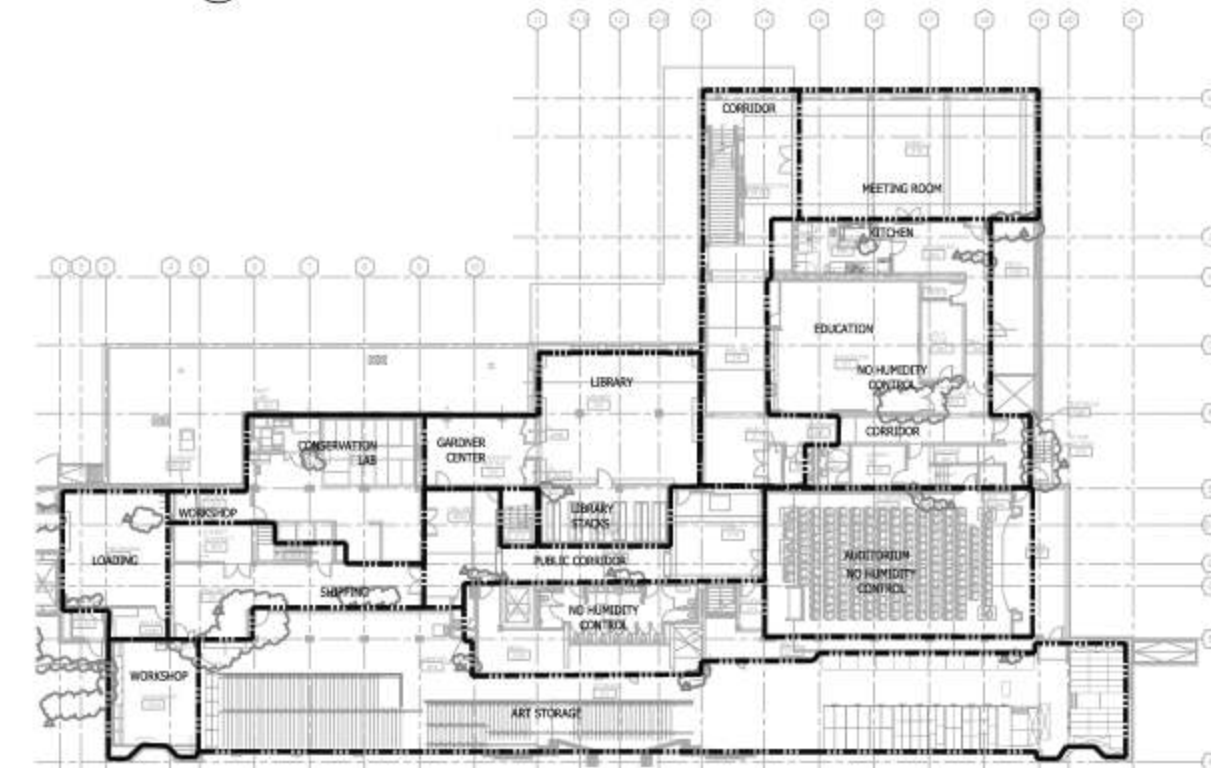
6 LEVEL 1 - TEMPERATURE CONTROL PLAN
M601 NTS



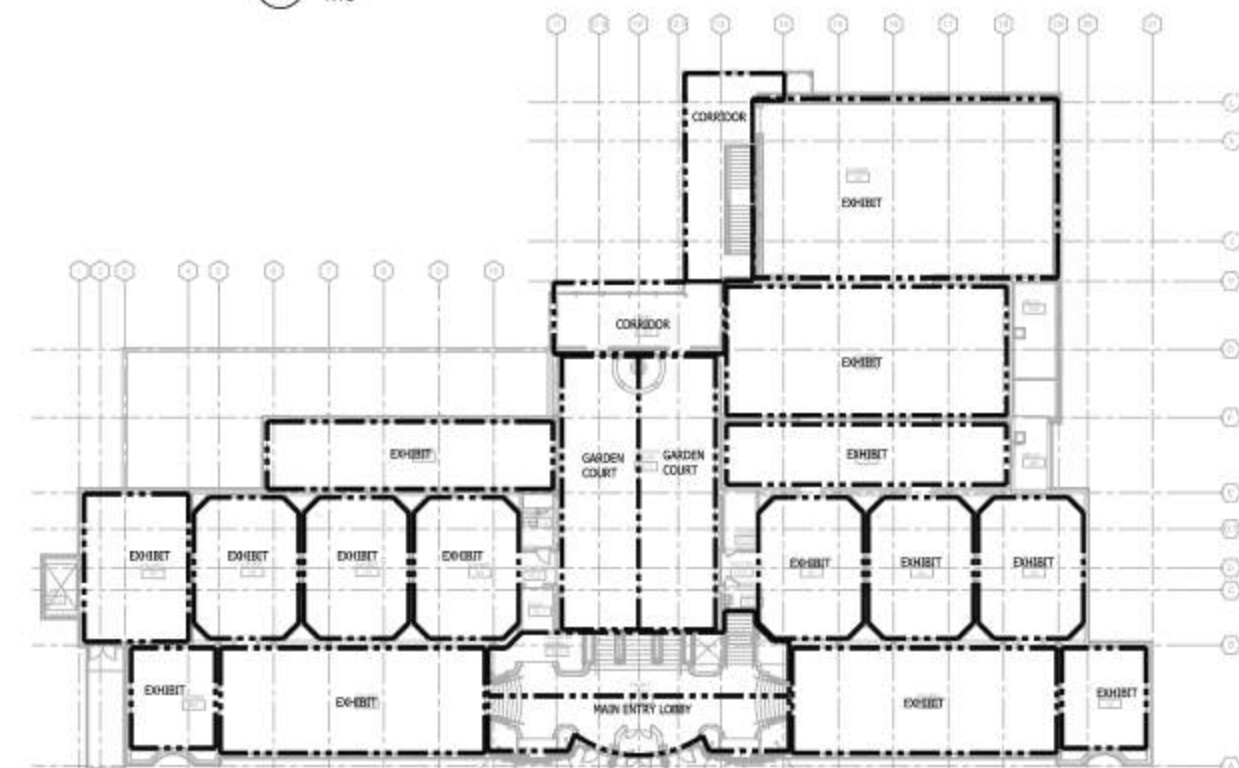
3 LEVEL 1 - HUMIDITY CONTROL PLAN
M601 NTS



5 LEVEL 2 - TEMPERATURE CONTROL PLAN
M601 NTS



2 LEVEL 2 - HUMIDITY CONTROL PLAN
M601 NTS



4 LEVEL 3 - TEMPERATURE CONTROL PLAN
M601 NTS



1 LEVEL 3 - HUMIDITY CONTROL PLAN
M601 NTS

Printed: 8/31/2017 3:40:25 PM



LMN Architecture
Urban Design
Interiors

RUSHING
Engineering - Estimating - Delivery

1725 WESTLAKE AVE N SUITE 300
SEATTLE, WA 98109
P: (206) 285-7100 F: (206) 285-7111



SOCl Use Only

SAM ASIAN ART MUSEUM

Asian Art Museum Expansion & Renovation
Volunteer Park / 1400 E Prospect /
Seattle, WA 98112

Submital

Construction Documents

Revisions

No. Date Description

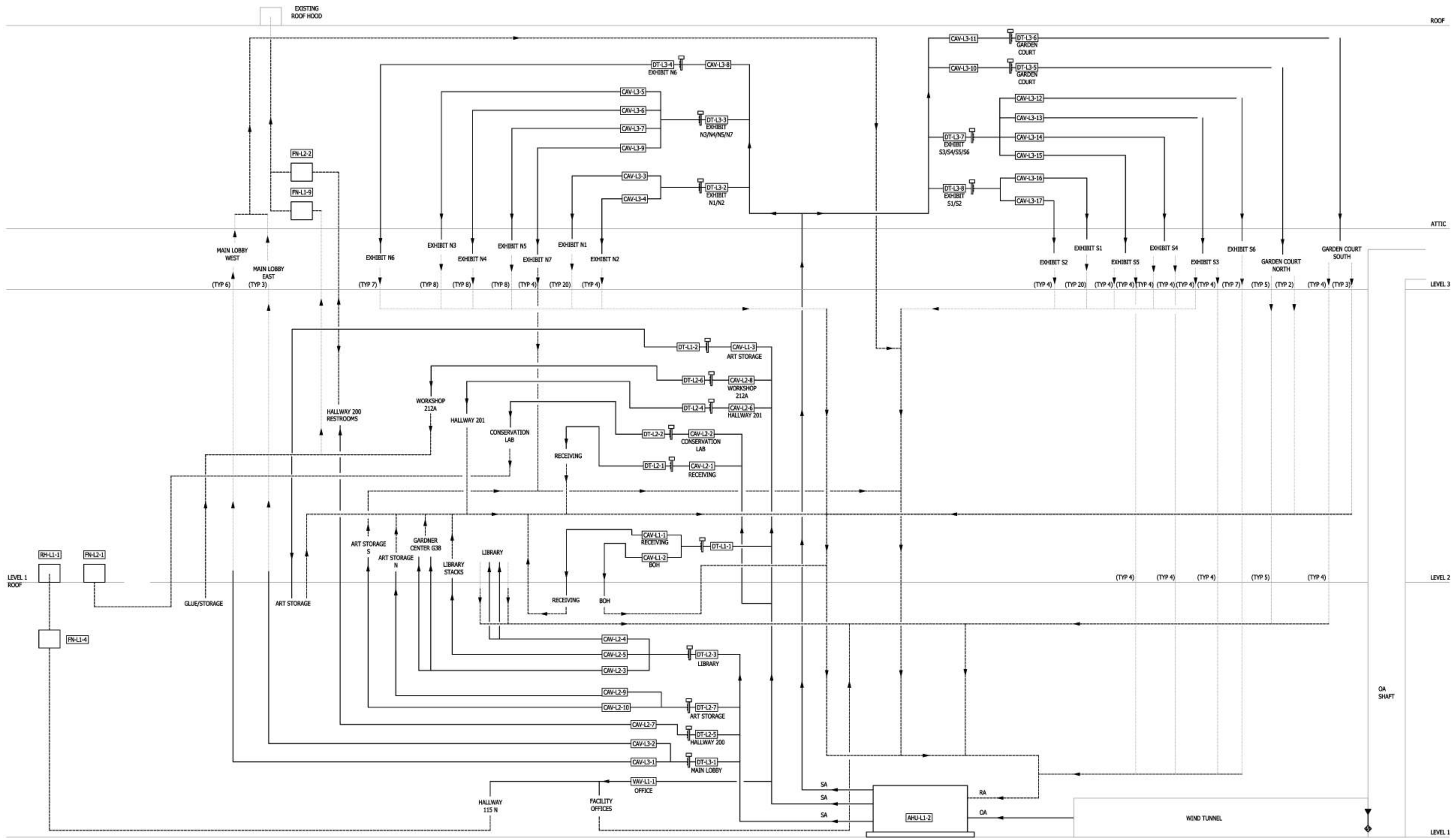
Drawn: DD/DG
Checked: JL/RSR
LMN Proj No: 16028.01
Date: 6/23/17

Sheet Title

HUMIDITY & TEMPERATURE CONTROL PLANS

Sheet Number

M601



——— NEW EXHAUST OR RETURN DUCT
 - - - - - EXISTING SUPPLY DUCT REUSED AS EXHAUST OR RETURN DUCT
 ——— NEW SUPPLY DUCT, OUTSIDE AIR DUCT, OR EXISTING SUPPLY DUCT TO BE INSULATED

P:\M602\17017 3:40:36 PM

LMN Architecture
 Urban Design
 Interiors

RUSHING
 Engineering - Essentials - Delivery

1725 WESTLAKE AVE N SUITE 300
 SEATTLE, WA 98109
 P: (206) 285-7100 F: (206) 285-7111



SOCl Use Only

SAM ASIAN
 ART
 MUSEUM

Asian Art Museum Expansion & Renovation
 Volunteer Park / 1400 E Prospect /
 Seattle, WA 98112

Submital

Construction
 Documents

Revisions
 No. Date Description

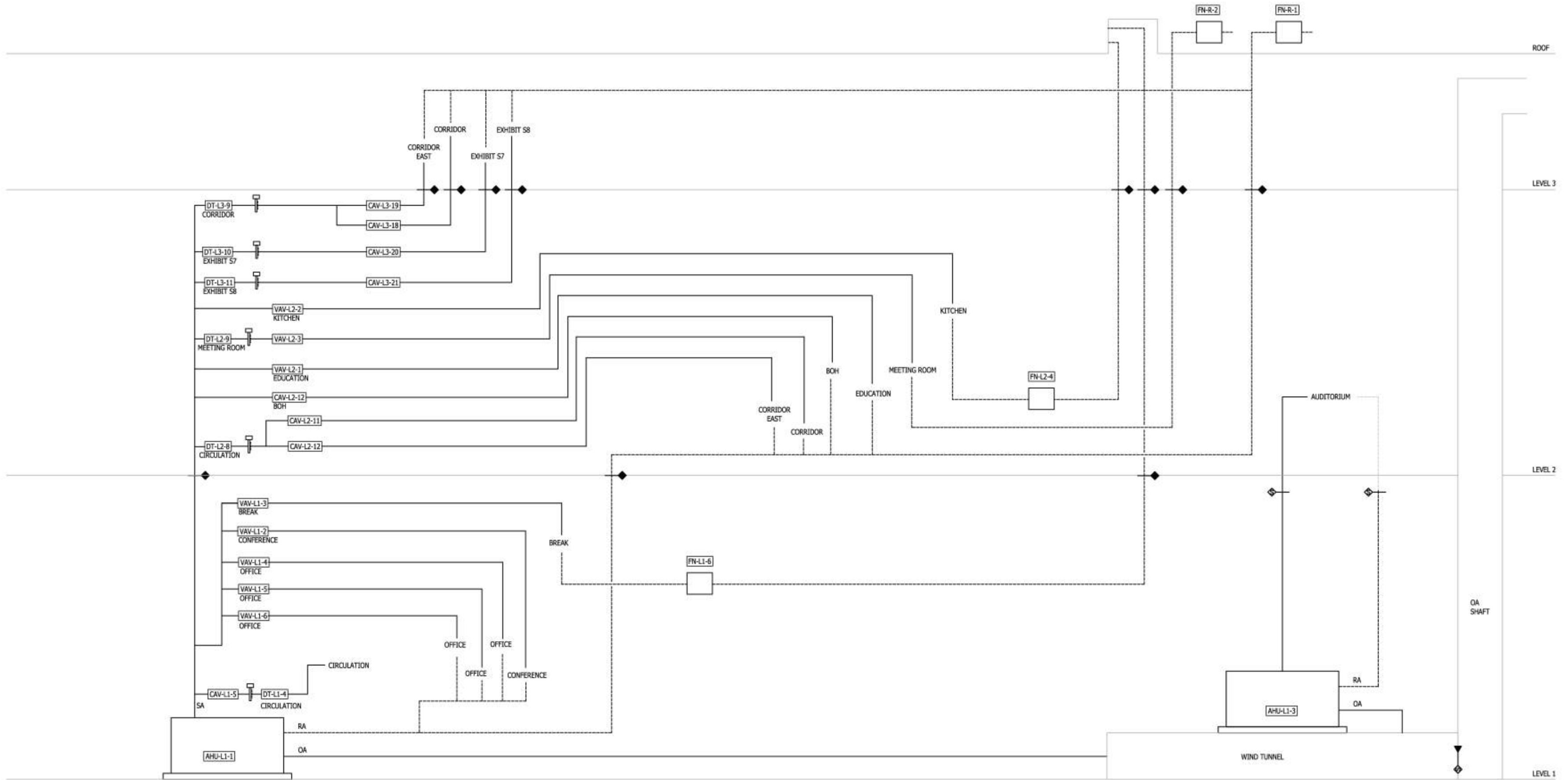
Drawn: DD/DC
 Checked: JL/RGR
 LMN Proj No: 16029.01
 Date: 6/23/17

Sheet

HUMIDITY &
 TEMPERATURE
 CONTROL
 DIAGRAM

Sheet

M602



- NEW EXHAUST OR RETURN DUCT
- EXISTING SUPPLY DUCT REUSED AS EXHAUST OR RETURN DUCT
- NEW SUPPLY DUCT, OUTSIDE AIR DUCT, OR EXISTING SUPPLY DUCT TO BE INSULATED

Printed: 8/31/2017 3:40:43 PM

LMN Architecture
Urban Design
Interiors

RUSHING
Engineering - Essentials - Delivery

1725 WESTLAKE AVE N SUITE 300
SEATTLE, WA 98109
P: (206) 285-7100 F: (206) 285-7111



SOCI Use Only

SAM ASIAN ART MUSEUM

Asian Art Museum Expansion & Renovation
Volunteer Park / 1400 E Prospect /
Seattle, WA 98112

Submittal

Revisions
No. Date Description

Sheet

Title

Sheet

Number

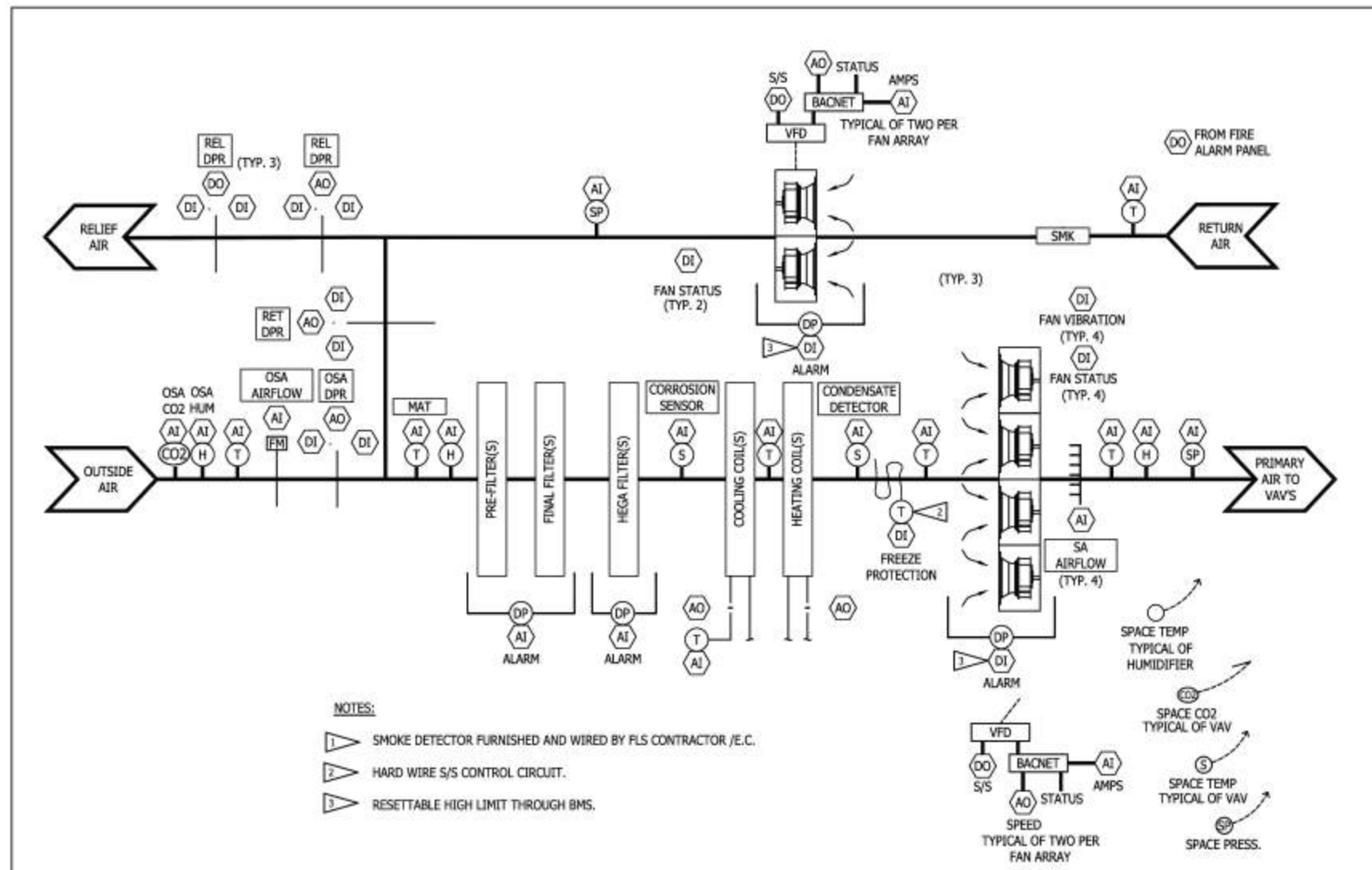
801 Second Avenue, Suite 501
Seattle, Washington 98104
T 206 662 3460
F 206 343 9388
www.lmnarchitects.com

Construction Documents

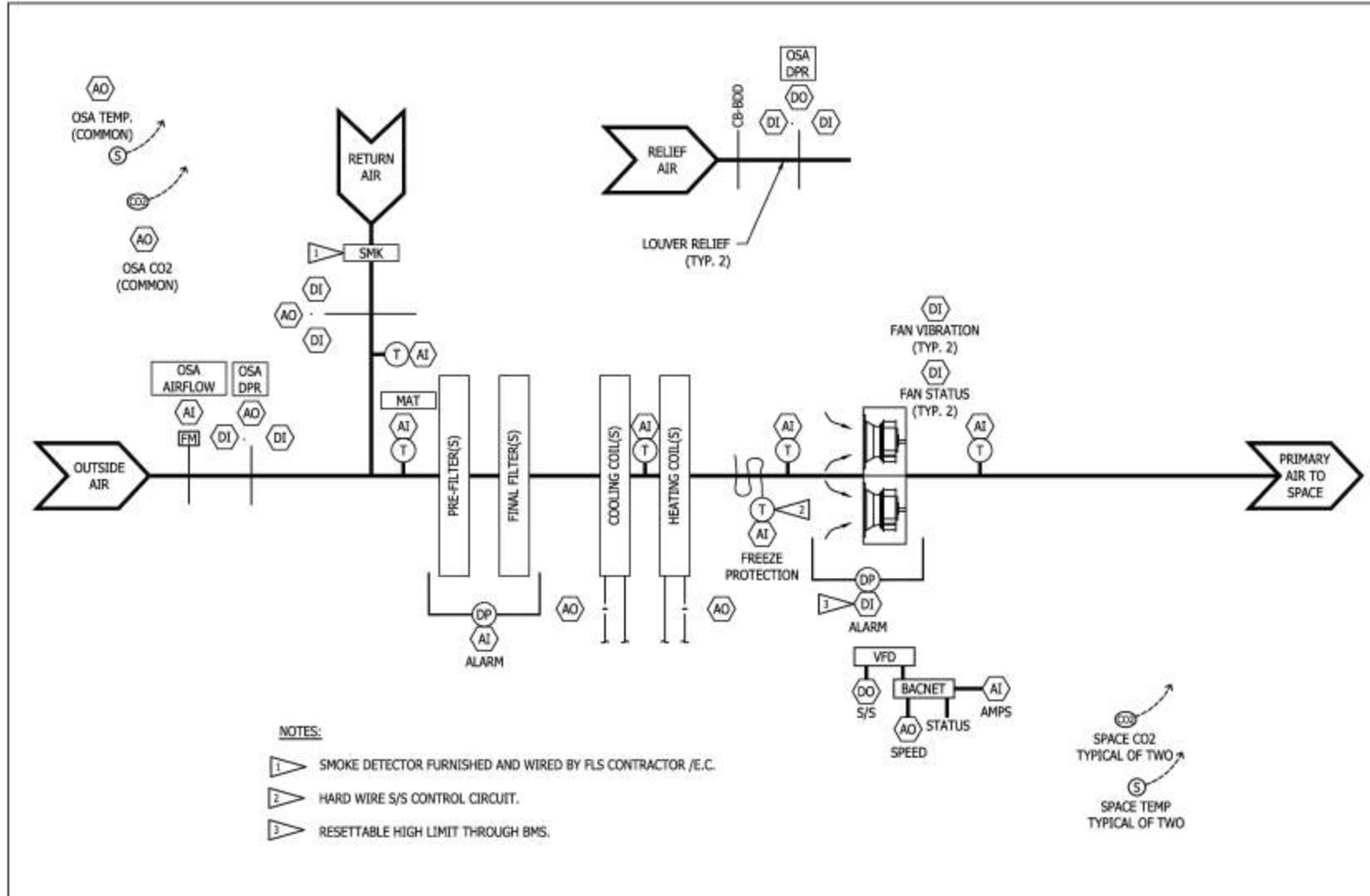
Drawn: DD/DO
Checked: JL/RSR
LMN Proj No: 16228.01
Date: 6/23/17

HUMIDITY & TEMPERATURE CONTROL DIAGRAM

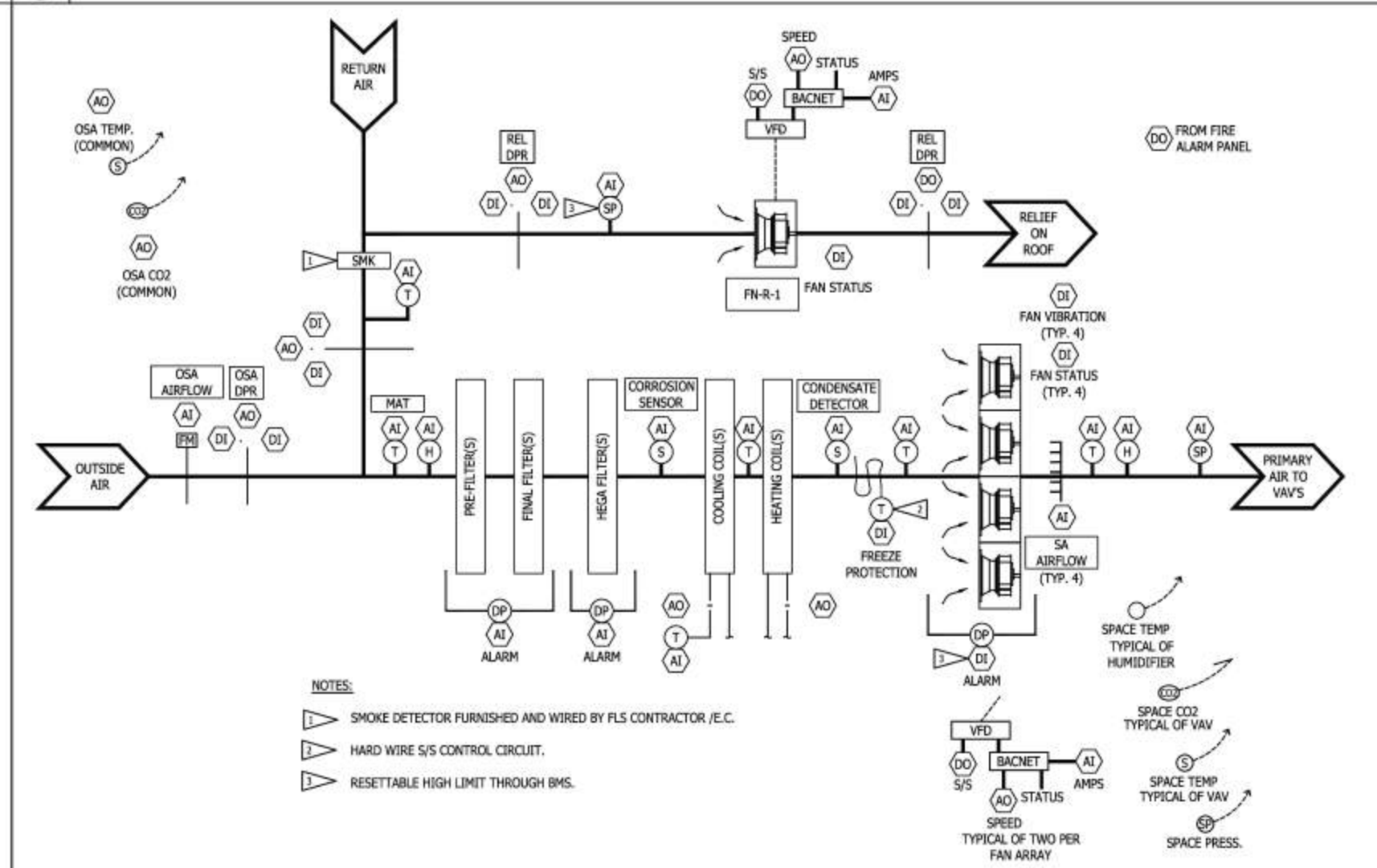
M603



2 AIR HANDLING UNIT CONTROL DIAGRAM - AHU-L1-2
SCALE: NOT TO SCALE



3 AIR HANDLING UNIT CONTROL DIAGRAM - AHU-L1-3
SCALE: NOT TO SCALE



1 AIR HANDLING UNIT CONTROL DIAGRAM - AHU-L1-1
SCALE: NOT TO SCALE

PRINTED: 8/31/2017 3:40:01 PM



LMN Architecture
Urban Design
Interiors

RUSHING
Engineering - Essentials - Delivery



SAM ASIAN
ART
MUSEUM

Asian Art Museum Expansion & Renovation
Volunteer Park, 1400 E Prospect /
Seattle, WA 98112

Submital

Revisions		
No.	Date	Description
1	9/1/17	PERMIT CORRECTIONS

Sheet Title

Sheet Number

801 Second Avenue, Suite 501
Seattle, Washington 98104
T 206 662 3460
F 206 443 9388
www.lmnarchitects.com

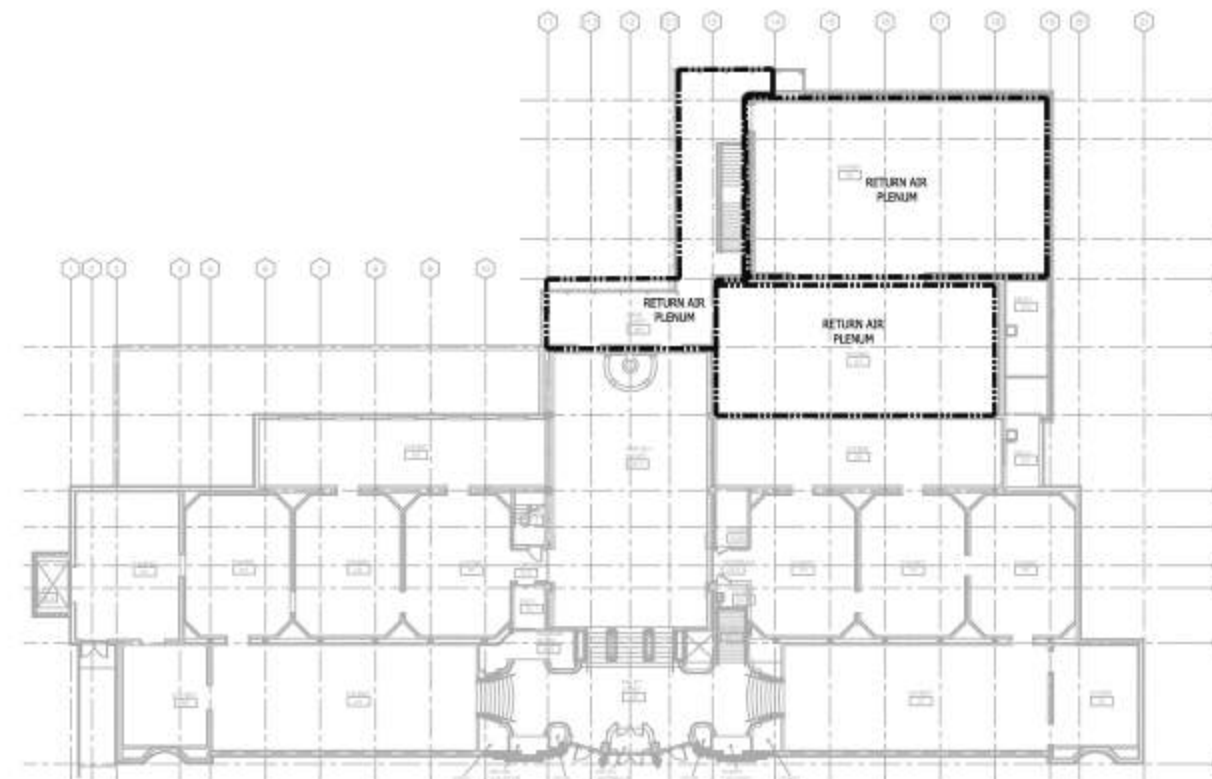
1725 WESTLAKE AVE N SUITE 300
SEATTLE, WA 98109
P: (206) 285-7100 F: (206) 285-7111

Construction Documents

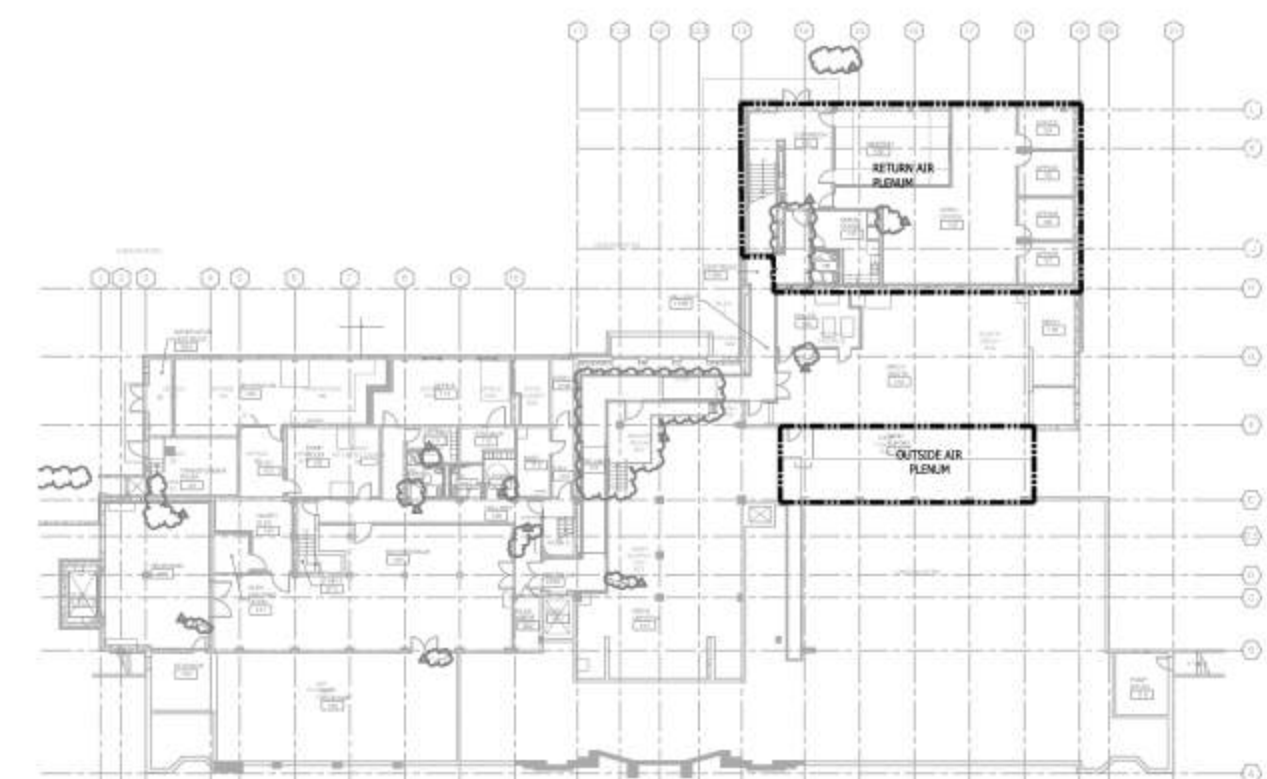
Drawn: DD-DG
Checked: JLR/RGR
LMN Proj No: 16028.01
Date: 6/23/17

AIR HANDLING UNIT DIAGRAMS

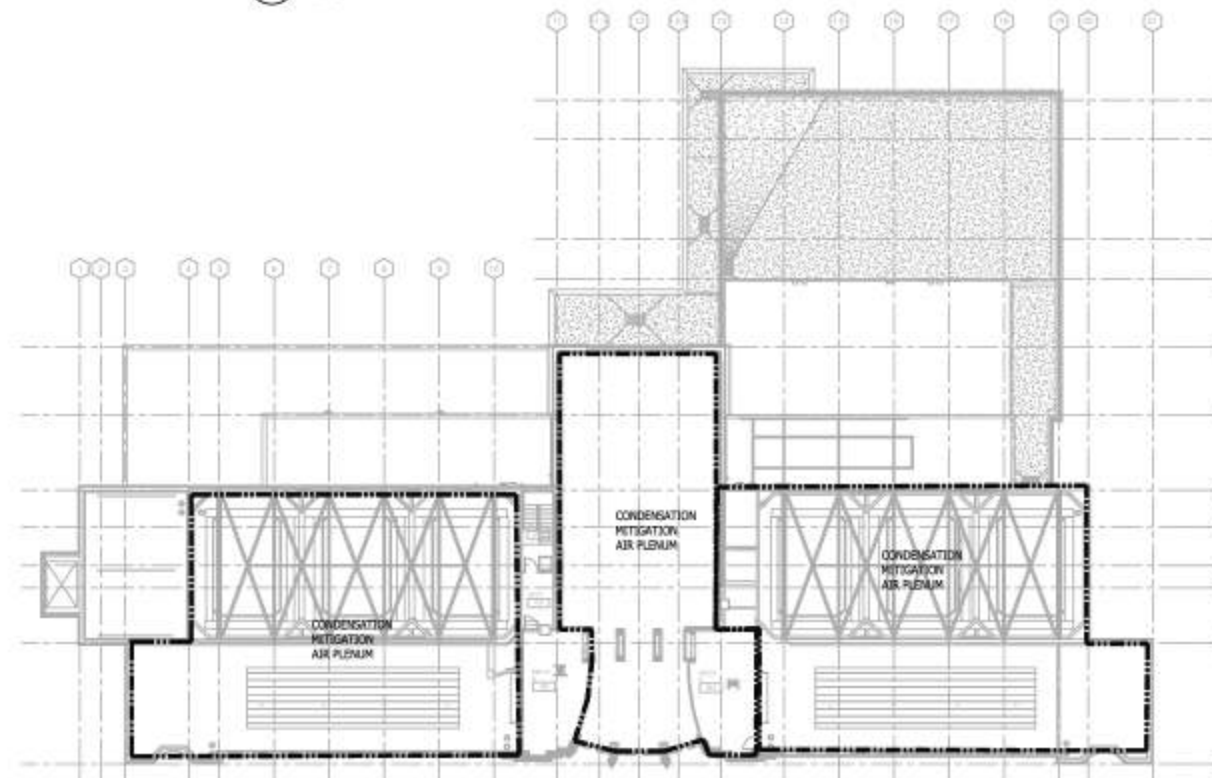
M604



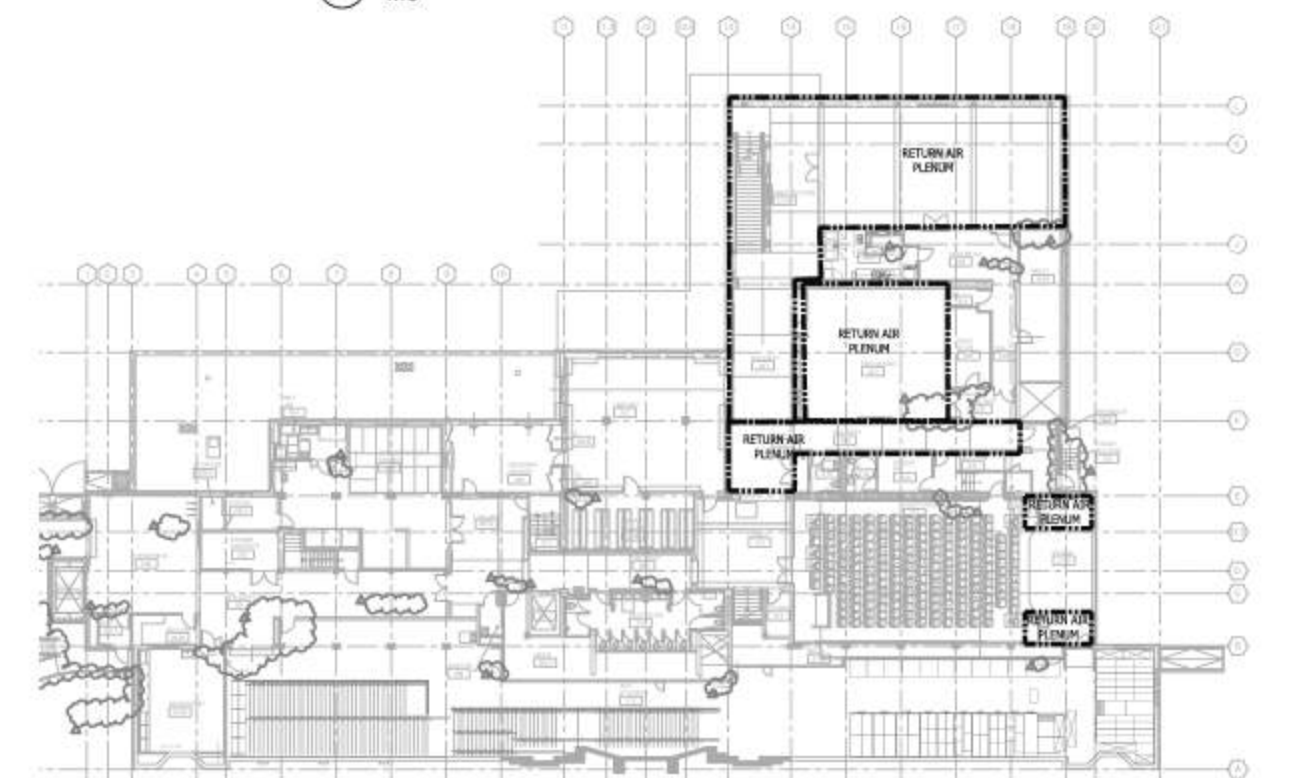
3 LEVEL 3 - HVAC PLENUM PLAN
M605 NTS



1 LEVEL 1 - HVAC PLENUM PLAN
M605 NTS



4 ATTIC - HVAC PLENUM PLAN
M605 NTS



2 LEVEL 2 - HVAC PLENUM PLAN
M605 NTS



Printed: 8/31/2017 3:41:07 PM

LMN Architecture
Urban Design
Interiors

RUSHING
Engineering - Essentials - Delivery



SOCI Use Only

SAM ASIAN
ART
MUSEUM

Asian Art Museum Expansion & Renovation
Volunteer Park / 1400 E Prospect /
Seattle, WA 98112

Submittal

Construction
Documents

Revisions		
No.	Date	Description
1	9/1/17	PERMIT CORRECTIONS 1

Sheet

HVAC - PLENUM
ZONES

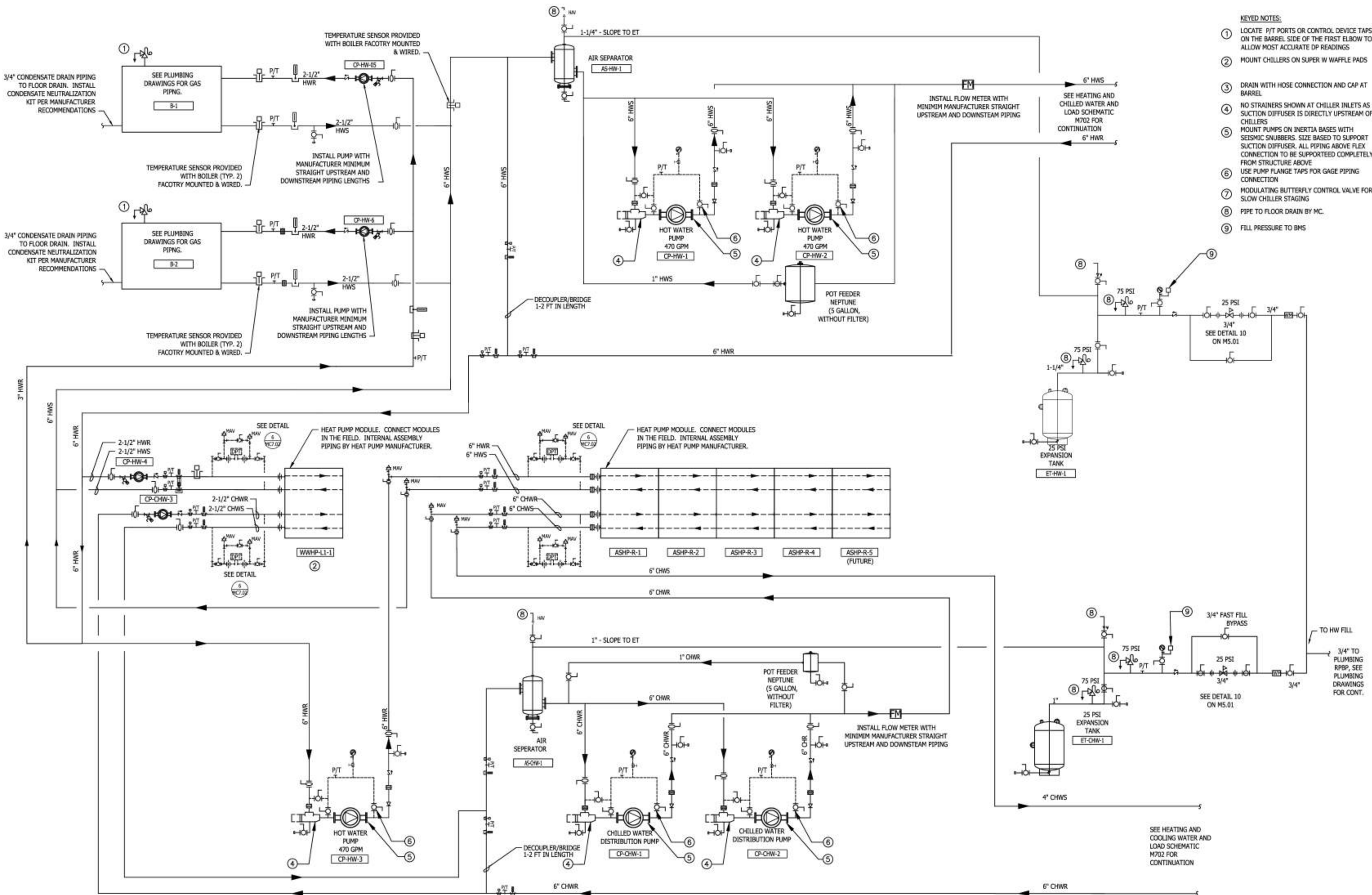
Sheet

M605

801 Second Avenue, Suite 501
Seattle, Washington 98104
T 206 462 3460
F 206 462 9388
www.lmnarchitects.com

1725 WESTLAKE AVE N SUITE 300
SEATTLE, WA 98109
P: (206) 285-7100 F: (206) 285-7111

Drawn: DD/DC
Checked: JLR/RSR
LMN Proj No: 16028.01
Date: 6/23/17



- KEYED NOTES:**
- ① LOCATE P/T PORTS OR CONTROL DEVICE TAPS ON THE BARREL SIDE OF THE FIRST ELBOW TO ALLOW MOST ACCURATE DP READINGS
 - ② MOUNT CHILLERS ON SUPER W WAFFLE PADS
 - ③ DRAIN WITH HOSE CONNECTION AND CAP AT BARREL.
 - ④ NO STRAINERS SHOWN AT CHILLER INLETS AS SUCTION DIFFUSER IS DIRECTLY UPSTREAM OF CHILLERS
 - ⑤ MOUNT PUMPS ON INERTIA BASES WITH SEISMIC SNUBBERS. SIZE BASED TO SUPPORT SUCTION DIFFUSER. ALL PIPING ABOVE FLEX CONNECTION TO BE SUPPORTED COMPLETELY FROM STRUCTURE ABOVE
 - ⑥ USE PUMP FLANGE TAPS FOR GAGE PIPING CONNECTION
 - ⑦ MODULATING BUTTERFLY CONTROL VALVE FOR SLOW CHILLER STAGING
 - ⑧ PIPE TO FLOOR DRAIN BY MC.
 - ⑨ FILL PRESSURE TO BMS

1 M701 PUMPING AND SOURCE EQUIPMENT SCHEMATIC
NTS

Printed: 8/31/2017 3:41:16 PM



SOCI Use Only



Asian Art Museum Expansion & Renovation

Volunteer Park / 1400 E Prospect / Seattle, WA 98112

Submital

Revisions
No. Date Description

Sheet

Sheet Number

801 Second Avenue, Suite 501
Seattle, Washington 98104
T 206 662 3460
F 206 443 9388
www.lmnarchitects.com

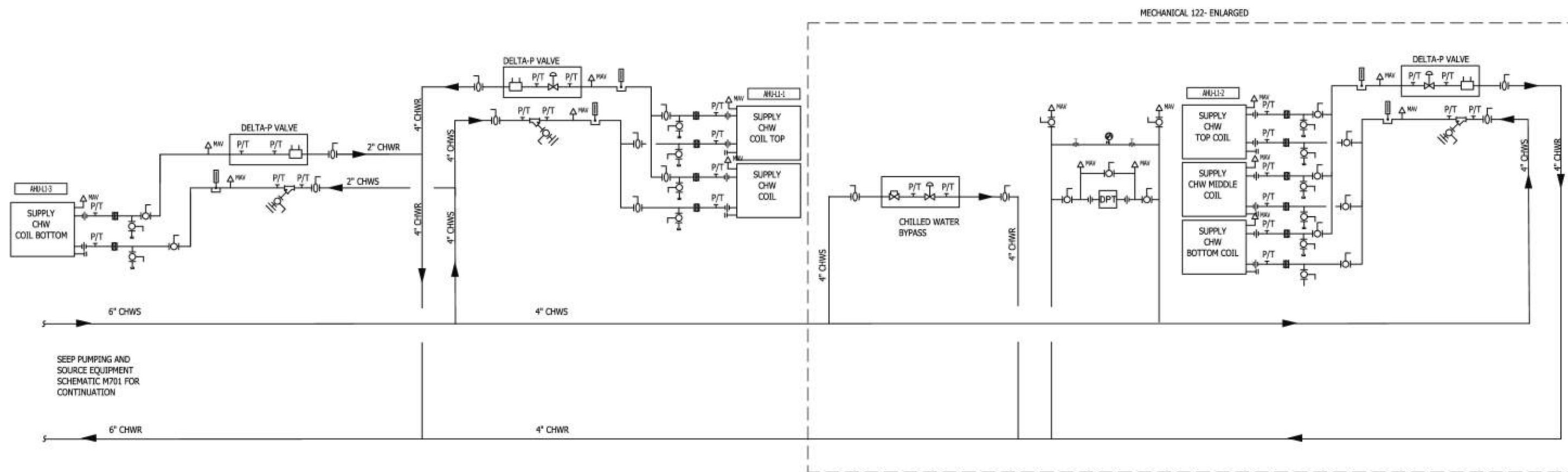
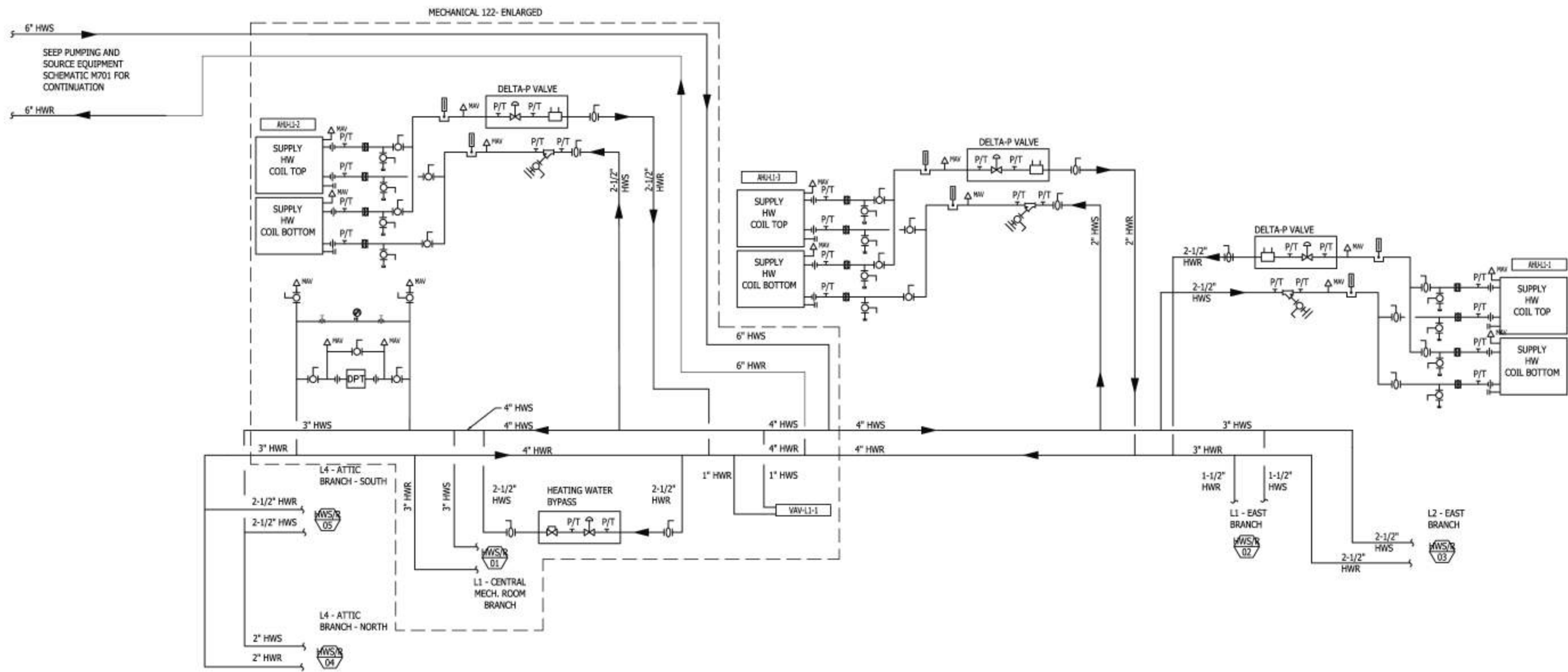
1725 WESTLAKE AVE N SUITE 300
SEATTLE, WA 98109
P: (206) 285-7100 F: (206) 285-7111

Drawn: DD-DG
Checked: JL-RSR
LMN Proj No: 16029.01
Date: 6/23/17

PUMPING AND SOURCE EQUIPMENT SCHEMATIC

M701

Construction Documents



1 HEATING AND CHILLED WATER LOAD SCHEMATIC
M702 NTS

Printed: 6/23/2017 3:41:23 PM

LMN Architecture
Urban Design
Interiors

RUSHING
Engineering - Essentials - Delivery

1725 WESTLAKE AVE N SUITE 300
SEATTLE, WA 98109
P: (206) 285-7100 F: (206) 285-7111



SAM ASIAN
ART
MUSEUM

Asian Art Museum Expansion & Renovation
Volunteer Park, 1400 E Prospect,
Seattle, WA 98112

Submital

Revisions
No. Date Description

Sheet
Title

Sheet
Number

801 Second Avenue, Suite 501
Seattle, Washington 98104
T: 206 642 2460
F: 206 343 8388
www.lmnarchitects.com

Drawn: DO/OG
Checked: J.RSR
LMN Proj No: 16028.01
Date: 6/23/17

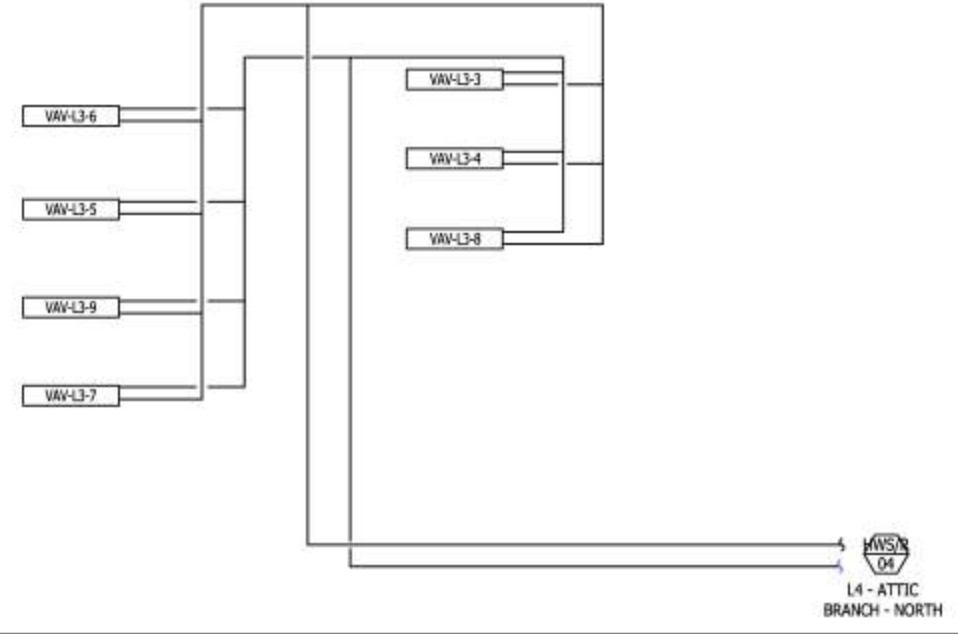
HEATING AND
CHILLED WATER
LOAD SCHEMATIC

M702

Construction
Documents

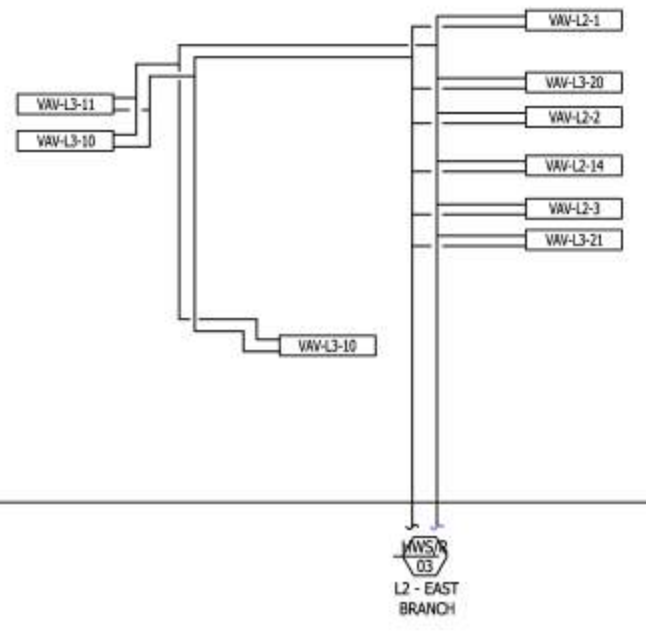
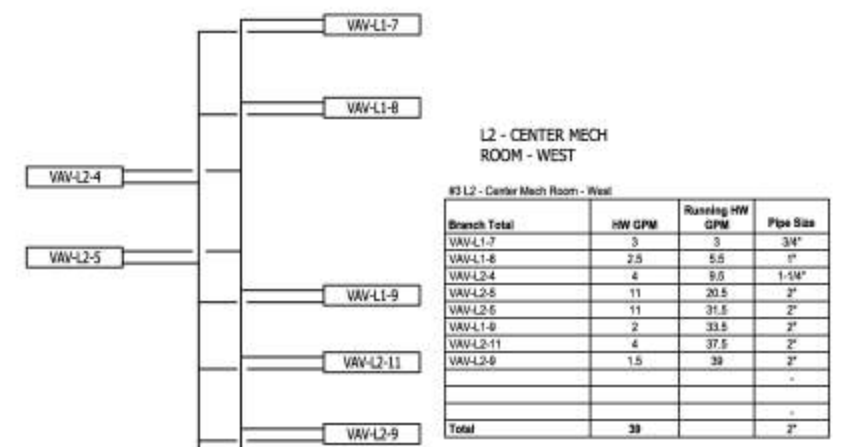
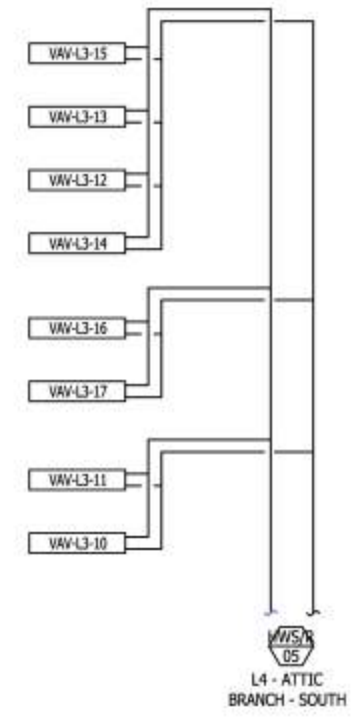
#5 L4 - Attic Branch - North

Branch Total	HW GPM	Running HW GPM	Pipe Size
VAV-L3-7	5	5	1"
VAV-L3-8	7	12	1-1/4"
VAV-L3-5	5	17	1-1/2"
VAV-L3-6	5	22	2"
VAV-L3-9	8	8	1-1/4"
VAV-L3-4	5	13	1-1/2"
VAV-L3-3	12	25	2"
Total	47		2-1/2"



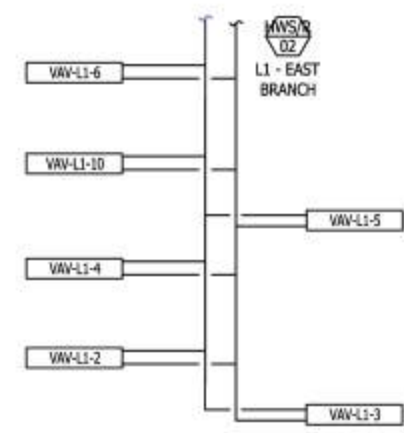
#6 L4 - Attic Branch - South

Branch Total	HW GPM	Running HW GPM	Pipe Size
VAV-L3-14	5	5.0	1"
VAV-L3-12	6	11.0	1-1/4"
VAV-L3-13	5	16.0	1-1/2"
VAV-L3-15	7	23.0	2"
VAV-L3-16	12	12.0	1-1/4"
VAV-L3-17	7	19.0	1-1/2"
SOUTH WALL 403	42.0	42.0	2"
VAV-L3-10	14	14.0	1-1/2"
VAV-L3-11	14	28.0	2"
	70.0	70.0	2-1/2"
Total	102		4"



#1 L1 - Central Mech Room Branch

Branch Total	HW GPM	Running HW GPM	Pipe Size
L2 - Mech Rm - West	30	39	2"
VAV-L3-1	15	15	1-1/2"
VAV-L3-13	7	22	1-1/2"
VAV-L2-12	6	28	2"
VAV-L3-2	9	37	2"
VAV-L2-10	2	39	2"
MECH RM WEST	76	76	2"
VAV-L2-8	1.5	1.5	3/4"
VAV-L2-6	2	3.5	3/4"
VAV-L2-7	5	8.5	1-1/4"
Total	87		3"



HEATING WATER RISER DIAGRAMS
1/8" = 1'-0"



LMN Architecture
Urban Design
Interiors

801 Second Avenue, Suite 501
Seattle, Washington 98104
T 206 662 3460
F 206 443 9388
www.lmnarchitects.com

RUSHING
Engineering - Essentials - Delivery

1725 WESTLAKE AVE N SUITE 300
SEATTLE, WA 98109
P: (206) 285-7100 F: (206) 285-7111



SOCl Use Only

SAM ASIAN ART MUSEUM

Asian Art Museum Expansion & Renovation
Volunteer Park / 1400 E Prospect /
Seattle, WA 98112

Submital

Revisions

No.	Date	Description

Sheet Title

Sheet Number

Construction Documents

Drawn: DD/DC
Checked: JL/RSR
LMN Proj No: 16028.01
Date: 6/23/17

HEATING WATER RISER DIAGRAMS

M703

**ASIAN ART MUSEUM
REV 2017-09-01
BMS CONTROLS DESCRIPTION**

MINIMUM THEN MODULATE THE MOTORIZED DAMPER TO MAINTAIN THE AIRFLOW. THE VFD ON THE FAN SHALL BE MONITORED FOR FAN STATUS AND ALARMED UPON FAILURE.

SPLIT SYSTEM HEAT PUMPS (FCHP-1-1/UCU-1-1, FCHP-1-2/UCU-1-2, FCHP-1-3/UCU-1-3):

HEAT PUMPS SHALL BE ENABLED CONTINUOUSLY. HEATING AND COOLING CONTROL WILL BE PROVIDED BY A WALL-MOUNTED UNIT PROVIDED CONTROLLER. CONTROLLER IS PROVIDED AND INSTALLED BY MECHANICAL CONTRACTOR AND IS TO BE POWERED VIA THE HEAT PUMP POWER. BMS IS TO ENABLE/DISABLE HEAT PUMPS, AND ALARM HEAT PUMPS FROM THE SUMMARY ALARM OUTPUT FROM THE HEAT PUMP CONTROLLER.

THEY BMS SHALL INDEPENDENTLY MONITOR SPACE TEMPERATURE. THE SPACE TEMPERATURE WILL BE DISPLAYED ON THE GUI AND ALARMED IF THE SPACE TEMPERATURE EXCEEDS 85°F (ADJ.).

CONSERVATION LAB EXHAUST FANS (FN-1-2-1, FN-1-2-6, FN-1-2-7):

BMS ENABLES AND DISABLES THE FANS BASED ON AN OPERABLE WALL SWITCH WITH THREE POSITIONS (HIGH VENT, LOW VENT AND OFF). EXHAUST MOTORIZED DAMPERS ARE INTERLOCKED WITH FAN ON/OFF CONTROL AND THE ON/OFF CONTROL FOR FN-1-2-6 OR FN-1-2-7 DAMPER SHALL OPEN UPON OPERATION OF ANY ONE FAN. A WALL SWITCH SHALL BE PROVIDED FOR FN-1-2-6, FN-1-2-7. THE BMS SYSTEM SHALL HAVE SIX DIFFERENT SPEEDS FOR FN-1-2-1, ONE FOR HIGH VENT AND ONE FOR LOW VENT AND ONE FOR EACH MODE WHEN EITHER FN-1-2-6 OR FN-1-2-7 OPERATES AND ONE FOR BOTH OPERATING PLANS AND THE LABELED THIS SWITCH DISABLES VENTILATION TO THE SPACE. IF THIS SWITCH IS IN LOW VENT THEN ALL EXHAUST FANS SERVING THE SPACE SHALL SUM TO OPERATE AT 50% OF THE FULL FLOW OF FN-1-2-1. IN UNOCCUPIED MODE, WHEN THE SWITCH IS OFF, THE FAN WILL BE OFF, UNLESS THE VAV SERVING THE SPACE PROVIDES CONDITIONING IN WHICH CASE IT SHALL BE AT 50% AIRFLOW. IF THE SWITCH IS ON THEN THE EXHAUST FAN SHALL BE CONTINUOUSLY AT 100% AIRFLOW.

BMS MONITORS FAN STATUS VIA CURRENT SENSOR.

WORKSHOP EXHAUST FANS (FN-1-1-6):

BMS ENABLES AND DISABLES THE FANS TO ALLOW FOR OPERATIONAL SCHEDULING. EXHAUST MOTORIZED DAMPERS ARE INTERLOCKED WITH FAN ON/OFF CONTROL AND SHALL OPEN UPON FAN OPERATION. A WALL SWITCH SHALL BE PROVIDED WHERE SHOWN ON MECHANICAL PLANS AND THE LABELED THIS SWITCH DISABLES VENTILATION TO THE SPACE. IF THIS SWITCH IS OFF THEN THE EXHAUST FAN SHALL OPERATE AT 50% IN OCCUPIED MODE AND BE OFF IN UNOCCUPIED MODE, UNLESS THE VAV SERVING THE SPACE PROVIDES CONDITIONING IN WHICH CASE IT SHALL BE AT 50% AIRFLOW. IF THE SWITCH IS ON THEN THE EXHAUST FAN SHALL BE CONTINUOUSLY AT 100% AIRFLOW.

BMS MONITORS FAN STATUS VIA CURRENT SENSOR.

TRANSFORMER VAULT (FN-1-1-01):

THE BMS DOES NOT CONTROL THE TRANSFORMER VAULT EXHAUST FAN. THE EXHAUST FAN IS PROVIDED WITH AN ECM MOTOR. THE BMS WILL MONITOR THE FAN THROUGH A CURRENT TRANSMITTER. THE MOTOR SPEED WILL BE FIELD SET BY THE TEST AND BALANCE CONTRACTOR TO THE DESIGN CFM. THE ECM MOTOR IS NOT USED TO VARY FAN SPEED.

THE TRANSFORMER VAULT WILL BE VENTILATED BY AN EXHAUST FAN, CONTROLLED BY THERMOSTATS LOCATED INSIDE THE VAULT. THE VAULT VENTILATION SYSTEM HAS THE FOLLOWING COMPONENTS: EXHAUST FAN, MOTORIZED DAMPER, THERMOSTATS, PRESSURE SWITCH, FIRE DAMPER (3-HOUR), MC TO PROVIDE FAN DAMPERS. ALL CONTROL DEVICES INCLUDING QTY -2 HONEYWELL MIN 1631A 1022 FARM-O-STATS, JOHNSON CONTROLS P32A SERIES AIRFLOW PRESSURE SWITCH, MARB 32391 UNIVERSAL SST TIME DELAY RELAY, ALARM LIGHT, AND ALARM SIGNAGE.

**ASIAN ART MUSEUM
REV 2017-09-01
BMS CONTROLS DESCRIPTION**

EC SHALL PROVIDE ALL DEVICE INSTALLATION AND 120V INTERLOCK WIRING.

THE FAN WILL BE STARTED WHEN THE TEMPERATURE EXCEEDS THE 70°F SETTING ON THE COOLING THERMOSTAT AND STOPPED WHEN THE TEMPERATURE DROPS BELOW 86°F (FIXED THERMOSTAT DEADBAND VALUE). A HIGH-LIMIT THERMOSTAT WILL STOP THE FAN IF THE TEMPERATURE EXCEEDS 140°F. DAMPER MD-3-1 SHALL OPEN OR REMAIN OPEN WHEN FN-1-1 IS RUNNING.

AN ALARM LIGHT MOUNTED OUTSIDE THE VAULT SPACE WILL BE INSTALLED TO INDICATE A FAILURE CONDITION OF THE FAN. THE LIGHT WILL BE ENERGIZED IF THE WALL SWITCH IS ENERGIZED WHEN THE FAN SHOULD BE OPERATING (ABOVE 70°F AND BELOW 140°F) OR IF THE 140°F HIGH-LIMIT THERMOSTAT TRIPS.

ALARM SIGNAGE WILL BE PROVIDED BY THE CONTROL CONTRACTOR WHICH READS, "VAULT ALARM, CALL SEATTLE CITY LIGHT WHEN LIGHT IS ON"

ELECTRICAL ROOM 104 EXHAUST FAN (FN-1-1-02):

THE FAN CONTROLS SPACE TEMPERATURE TO 80°F BY A LINE VOLTAGE COOLING ONLY T-STAT FURNISHED BY MC AND INSTALLED BY EC. INTAKE AND EXHAUST MOTORIZED DAMPERS ARE INTERLOCKED WITH FAN ON/OFF CONTROL AND SHALL OPEN UPON FAN OPERATION.

BMS WILL MONITOR SPACE TEMP AND FAN STATUS.

PUMP ROOM (FN-1-1-03):

THE FAN CONTROLS SPACE TEMPERATURE TO 80°F BY A LINE VOLTAGE COOLING ONLY T-STAT FURNISHED BY MC AND INSTALLED BY EC. INTAKE AND EXHAUST MOTORIZED DAMPERS ARE INTERLOCKED WITH FAN ON/OFF CONTROL AND SHALL OPEN UPON FAN OPERATION. A CABINET HEATER WITH INTEGRAL THERMOSTAT WILL ALSO BE PROVIDED.

THE BMS WILL MONITOR SPACE TEMPERATURE AND EXHAUST FAN STATUS.

MECHANICAL ROOM 118 (FN-1-1-07):

THE FAN CONTROLS SPACE TEMPERATURE TO 80°F BY A LINE VOLTAGE COOLING ONLY T-STAT FURNISHED BY MC AND INSTALLED BY EC.

THE BMS WILL MONITOR SPACE TEMPERATURE AND EXHAUST FAN STATUS.

THE CONTROLS CONTRACTOR WILL PROVIDE A HONEYWELL HA-20 CO DETECTION AND ALARM SYSTEM WITH TWO SENSORS MOUNTED WITHIN THE BOILER ROOM, A REMOTE ALARM LIGHT AT EACH OF THE TWO ENTRY DOORS, AND BMS ALARM MONITORING.

ELECTRICAL ROOM 114, MECHANICAL ROOM 121 EXHAUST FAN (FN-1-1-05, FN-1-1-06):

THE FAN CONTROLS SPACE TEMPERATURE TO 80°F BY A LINE VOLTAGE COOLING ONLY T-STAT FURNISHED BY MC AND INSTALLED BY EC. INTAKE AND EXHAUST MOTORIZED DAMPERS ARE INTERLOCKED WITH FAN ON/OFF CONTROL AND SHALL OPEN UPON FAN OPERATION.

BMS WILL MONITOR SPACE TEMP AND FAN STATUS.

PUBLIC TOILET, LOCKER ROOM AND BREAK ROOM EXHAUST FANS (FN-1-1-04, FN-1-1-08, FN-1-2-2):

BMS ENABLES AND DISABLES THE FANS TO ALLOW FOR OPERATIONAL SCHEDULING. EXHAUST MOTORIZED DAMPERS ARE INTERLOCKED WITH FAN ON/OFF CONTROL AND SHALL OPEN UPON FAN OPERATION.

BMS MONITORS FAN STATUS VIA CURRENT SENSOR.

**ASIAN ART MUSEUM
REV 2017-09-01
BMS CONTROLS DESCRIPTION**

AV TRANSFER FANS (FN-2-4):

BMS ENABLES AND DISABLES THE FANS TO ALLOW FOR OPERATIONAL SCHEDULING. EXHAUST MOTORIZED DAMPERS ARE INTERLOCKED WITH FAN ON/OFF CONTROL AND SHALL OPEN UPON FAN OPERATION.

BMS MONITORS FAN STATUS VIA CURRENT SENSOR.

BMS WILL MONITOR SPACE TEMP AND FAN STATUS/MISC ELECTRIC HEATERS:
HEATERS TO HAVE UNIT MOUNTED THERMOSTAT UNLESS NOTED OTHERWISE. THE BMS WILL NOT MONITOR OR CONTROL ELECTRIC HEATERS.

DOMESTIC HOT WATER CIRCULATION PUMP (CP-R-1, CP-R-2):

THE BMS CONTROLS THE DOMESTIC HOT WATER CIRCULATION PUMPS TO CIRCULATE WATER ON A TIME OF DAY SCHEDULE. BMS TO MONITOR PUMP STATUS VIA A CURRENT SENSOR.

Printed: 8/31/2017 3:42:22 PM



1725 WESTLAKE AVE N SUITE 300
SEATTLE, WA 98109
P: (206) 285-7100 F: (206) 285-7111



SOCl Use Only



Asian Art Museum Expansion & Renovation
Volunteer Park / 1400 E Prospect /
Seattle, WA 98112

Submital

Revisions

No. Date Description

Construction Documents

Sheet Title

Sheet Number

MECHANICAL CONTROLS DESCRIPTION

M709

Drawn: DD-DG
Checked: JL-RSR
LMN Proj No: 16029.01
Date: 6/23/17

ABBREVIATIONS

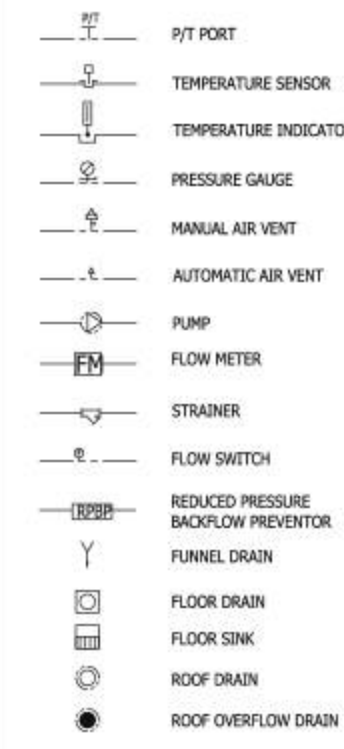
GENERAL

AD ACCESS DOOR
 ADJ ADJUSTABLE
 AFF ABOVE FINISHED FLOOR
 AMP AMPERE
 ARCH ARCHITECT; ARCHITECTURAL
 AUTO AUTOMATIC
 AUX AUXILIARY
 A COMPRESSED AIR
 BS BIRD SCREEN
 BTU BRITISH THERMAL UNIT
 BTUH BRITISH THERMAL UNITS PER HOUR
 COND CONDENSATE
 C/L CENTERLINE
 CLG CEILING
 CO CARBON MONOXIDE
 CO2 CARBON DIOXIDE
 CA COMPRESSED AIR
 DET DETAIL
 DIA DIAMETER
 DISCH DISCHARGE
 DN DOWN
 DWG DRAWING
 DWV DRAIN, WASTE, VENT
 (E) EXISTING
 EA EACH
 EC ELECTRICAL CONTRACTOR; END CAP
 EL ELEVATION
 ELEC ELECTRICAL
 ELEV ELEVATION
 ESP EXTERNAL STATIC PRESSURE
 EXH EXHAUST
 EXIST EXISTING
 F FAHRENHEIT
 FA FIRE ALARM
 FCO FLOOR CLEANOUT
 FDC FIRE DEPARTMENT CONNECTION
 FLEX FLEXIBLE
 FLG FLANGE
 FLR FLOOR
 FO FUEL OIL
 FP FIRE PROTECTION
 FPM FEET PER MINUTE
 FT FOOT; FEET
 FURN FURNISH
 GA GAUGE
 GALV GALVANIZED
 GC GENERAL CONTRACTOR
 GPM GALLONS PER MINUTE
 GWB GYPSUM WALL BOARD
 HP HORSE POWER
 ID INSIDE DIAMETER/DIMENSION
 LF LINEAL FOOT
 MAX MAXIMUM
 MBH 1000 BRITISH THERMAL UNITS PER HOUR
 MED MEDIUM
 MFR MANUFACTURER
 MIN MINIMUM
 MISC MISCELLANEOUS
 M/N MODEL NUMBER
 MTD MOUNTED
 N/A NOT APPLICABLE
 NC NORMALLY CLOSED
 NEG NEGATIVE
 NIC NOT IN CONTRACT
 NO NORMALLY OPEN; NUMBER
 NOM NOMINAL
 NTS NOT TO SCALE
 OC ON CENTER
 OD OUTSIDE DIAMETER
 POC POINT OF CONNECTION
 PRELIM PRELIMINARY
 PSI POUNDS PER SQUARE INCH
 PSIG POUNDS PER SQUARE INCH GAUGE
 QTY QUANTITY
 REQD REQUIRED
 RPM REVOLUTIONS PER MINUTE
 SF SQUARE FOOT
 SPEC SPECIFICATION
 SQ SQUARE
 STD STANDARD
 TBD TO BE DETERMINED
 TI TENANT IMPROVEMENTS
 TOC TOP OF CONCRETE
 TOS TOP OF STEEL
 TYP TYPICAL
 UG UNDERGROUND
 UNO UNLESS NOTED OTHERWISE
 VAV VARIABLE AIR VOLUME
 VD VOLUME DAMPER
 VFD VARIABLE FREQUENCY DRIVE

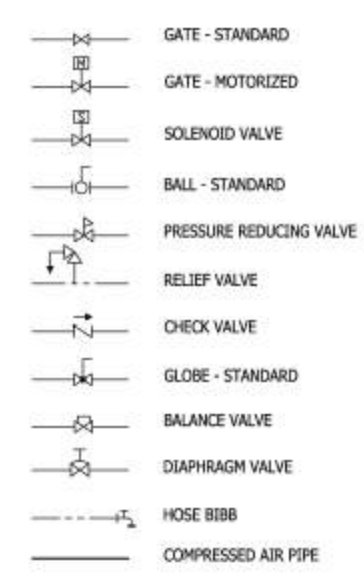
ABBREVIATIONS CONTINUED

W/ WITH
 W/O WITHOUT
 HVAC
 AC AIR CONDITIONING
 ACT ACOUSTICAL CEILING TILE
 AHU AIR HANDLING UNIT
 BDD BACKDRAFT DAMPER
 BOD BOTTOM OF DUCT
 CC COOLING COIL
 CV CONSTANT VOLUME
 DB DRY BULB
 DIFF DIFFUSER
 DMPR DAMPER
 EA EXHAUST AIR
 EAT ENTERING AIR TEMPERATURE
 GRD GRILLE, REGISTER, DIFFUSER
 HVAC HEATING, VENTILATION, AND AIR CONDITIONING
 LAT LEAVING AIR TEMPERATURE
 MC MECHANICAL CONTRACTOR
 MECH MECHANICAL
 MOD MOTOR OPERATED DAMPER; MODULATING
 MUA MAKE UP AIR
 OA OVERALL; OUTSIDE AIR
 OBD OPPOSED BLADE DAMPER
 RA RETURN AIR
 RAT RETURN AIR TEMPERATURE
 RCP REFLECTED CEILING PLAN
 SA SUPPLY AIR
 SAT SUPPLY AIR TEMPERATURE
 SD SMOKE DAMPER
 SF SUPPLY FAN
 SL SOUND LINED
 SLSM SOUND LINED SHEET METAL
 SM SHEET METAL
 SP STATIC PRESSURE
 TG TRANSFER GRILLE
 TOD TOP OF DUCT
 TSP TOTAL STATIC PRESSURE
 UH UNIT HEATER
 WB WET BULB
 WC WATER COLUMN
 WG WATER GAUGE
 PLUMBING
 CD CLEAN OUT; CARBON MONOXIDE
 DCW DOMESTIC COLD WATER
 DHW DOMESTIC HOT WATER
 DHWC DOMESTIC HOT WATER RECIRCULATION
 EWC ELECTRICAL WATER COOLER
 FD FLOOR DRAIN
 G GAS
 GD GARBAGE DISPOSAL
 IE INVERT ELEVATION
 IN WC INCHES WATER COLUMN
 IW IONIZED WATER; INDIRECT WASTE
 MPG MEDIUM PRESSURE GAS
 NCW NON POTABLE COLD WATER
 ORL OVERFLOW RAINWATER LEADER
 PD PLANTER DRAIN; PRESSURE DROP
 PERF PERFORATED
 PLBG PLUMBING
 PRV PRESSURE REDUCING VALVE
 RBPB REDUCED PRESSURE BACKFLOW PREVENTER
 SD STORM DRAIN
 SS SANITARY SEWER
 VTR VENT THROUGH ROOF
 W WASTE
 WC WATER CLOSET
 WH WATER HEATER
 WSP WET STANDPIPE
 PIPING
 BP BACKFLOW PREVENTOR
 CD CONDENSATE DRAIN
 CHW CHILLED WATER
 CHR CHILLED WATER RETURN
 CHS CHILLED WATER SUPPLY
 CT CONICAL TEE
 EWT ENTERING WATER TEMPERATURE
 FHV FIRE HOSE VALVE
 HRR HEAT RECOVERY RETURN
 HRS HEAT RECOVERY SUPPLY
 HWR HOT WATER RETURN
 HWS HOT WATER SUPPLY
 LWT LEAVING WATER TEMPERATURE
 RL REFRIGERENT LIQUID
 RS REFRIGERENT SUCTION
 TOP TOP OF PIPE

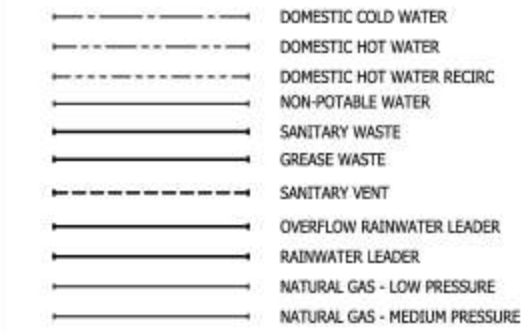
PIPE ACCESSORIES



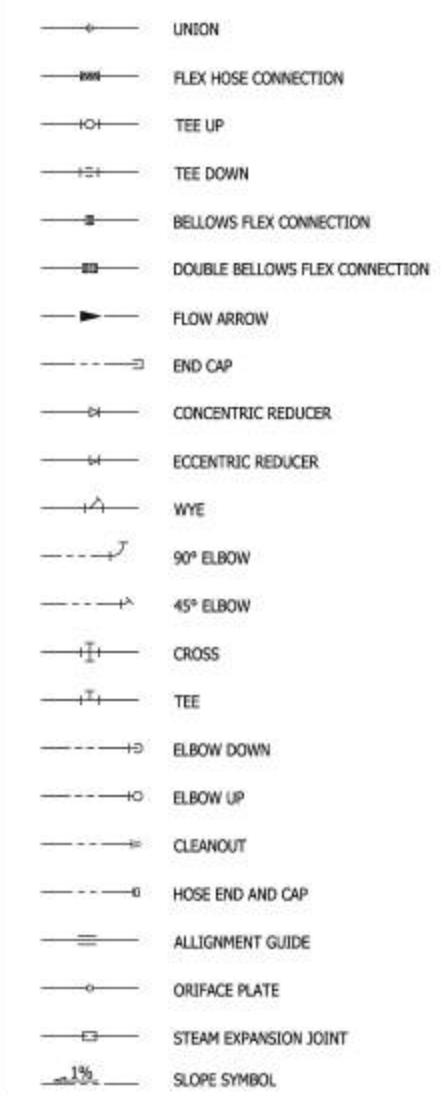
VALVES



PLUMBING SYSTEMS



PIPE FITTINGS



PLUMBING DRAWING INDEX

SHEET NUMBER	SHEET TITLE	SHEET SCALE	CONSTRUCTION DOCUMENTS
			6/23/2017
P000	LEGENDS AND ABBREVIATIONS - PLUMBING	NTS	X
P001	PLUMBING MATERIALS MATRIX	NTS	X
P002	PLUMBING CALCULATIONS	NTS	X
P010	PLUMBING SCHEDULES	NTS	X
P011	PLUMBING SCHEDULES	NTS	X
P012	PLUMBING SCHEDULES	NTS	X
P101	PLUMBING DEMO PLAN - LEVEL 1	1/8" = 1'-0"	X
P102	PLUMBING DEMO PLAN - LEVEL 2	1/8" = 1'-0"	X
P103	PLUMBING DEMO PLAN - LEVEL 3	1/8" = 1'-0"	X
P104	PLUMBING DEMO PLAN - LEVEL 4	1/8" = 1'-0"	X
P200	PLUMBING PLAN - BELOW GRADE	1/8" = 1'-0"	X
P201	PLUMBING FLOOR PLAN - LEVEL 1	1/8" = 1'-0"	X
P202	PLUMBING FLOOR PLAN - LEVEL 2	1/8" = 1'-0"	X
P203	PLUMBING FLOOR PLAN - LEVEL 3	1/8" = 1'-0"	X
P204	PLUMBING FLOOR PLAN - ATTIC	1/8" = 1'-0"	X
P205	PLUMBING FLOOR PLAN - LEVEL ROOF	1/8" = 1'-0"	X
P301	ENLARGED PLUMBING PLANS	1/4" = 1'-0"	X
P501	PLUMBING DETAILS	AS NOTED	X
P502	PLUMBING DETAILS	AS NOTED	X
P601	PLUMBING DOMESTIC WATER RISER DIAGRAM	NTS	X
P602	PLUMBING WASTE AND VENT RISER DIAGRAM	NTS	X
P603	PLUMBING NATURAL GAS RISER DIAGRAM	NTS	X
P604	PLUMBING RAINLEADER RISER DIAGRAM	NTS	X

Printed: 6/21/2017 5:32:28 PM

LMN Architecture
 Urban Design
 Interiors
 801 Second Avenue, Suite 501
 Seattle, Washington 98104
 T 206 662 3460
 F 206 443 9388
 www.lmnarchitects.com

RUSHING
 Engineering - Essentials - Delivery
 1725 WESTLAKE AVE N SUITE 300
 SEATTLE, WA 98109
 P: (206) 285-7100 F: (206) 285-7111



SOCl Use Only

SAM ASIAN ART MUSEUM

Asian Art Museum Expansion & Renovation
 Volunteer Park, 1400 E Prospect /
 Seattle, WA 98112

Submit

Construction Documents

Revisions
 No. Date By Description

Drawn: DD-DG
 Checked: JL-RSR
 LMN Proj No: 16020.01
 Date: 6/23/17

Sheet Title
 Sheet Number

FOR REFERENCE ONLY

LEGENDS AND ABBREVIATIONS - PLUMBING

P000

PLUMBING MATERIALS SPECIFICATION MATRIX

SERVICE ID	SERVICE DESCRIPTION	DESIGN PRESSURE (PSIG)	SIZE	MATERIAL	JOINTS	LOCATION FOR USE	INSULATION (R-VALUES PER 2012 WSEC AND SEC)	REMARKS	
DOMESTIC WATER - BELOW GRADE									
DCW	DOMESTIC COLD WATER UNDERGROUND	125	2" AND SMALLER	HIGH DENSITY POLYETHYLENE (HDPE) SOLID WALL SCH 80 PVC SCH 80 CPVC	SOLVENT WELD SOLVENT WELD	NO RESTRICTION NO RESTRICTION			
		125	2-1/2" AND LARGER	CLASS 52 DUCTILE IRON, CEMENT LINED	MECHANICAL JOINTS	NO RESTRICTION		INSTALL WITH POLYETHYLENE JACKET	
DOMESTIC WATER - ABOVE GRADE									
DCW, DHW, DHWC	DOMESTIC COLD WATER, DOMESTIC HOT WATER, DOMESTIC HOT WATER RECIRC.	125	2" AND SMALLER	COPPER TUBING TYPE L	SOLDERED, 95-5 SOLDER, LEAD-FREE	NO RESTRICTION	CW-NON PLASTIC ONLY HW- ALL HWC-ALL	PC TO PROVIDE PRICING ALTERNATE TO ELIMINATE CPVC FROM THE PROJECT	
				SCH 80 CPVC	SOLVENT WELD	DOWNSTREAM OF PRESSURE REGULATORS ONLY. CPVC IN PLENUMS MUST BE RATED FOR SUCH USE.			
				POLYPROPYLENE GREEN PIPE SDR 7.4 OR 11	SOCKET-FUSION, ELECTROFUSION, OR BUTT-FUSION	DOMESTIC HOT WATER PIPING SHALL CONTAIN A FIBER LAYER (FRASER) TO RESTRICT THERMAL EXPANSION.			
				PEX TUBING ASTM F876 ASTM F877	PIPE INSERT & EXPANSION COLLAR ASTM F1807, ASTM F1960				
		250	ALL	2-1/2" AND LARGER	COPPER TUBING TYPE L	GROOVED, PRESS FITTINGS		NO RESTRICTION	PC TO PROVIDE PRICING ALTERNATE TO ELIMINATE CPVC FROM THE PROJECT
					STAINLESS STEEL	GROOVED, PRESS FITTINGS		NO RESTRICTION	
					SCH 80 CPVC	SOLVENT WELD		DOWNSTREAM OF PRESSURE REGULATORS ONLY. CPVC IN PLENUMS MUST BE RATED FOR SUCH USE.	
					COPPER TUBING TYPE L	GROOVED, PRESS FITTINGS		NO RESTRICTION	
250	ALL	ALL	STAINLESS STEEL	GROOVED, PRESS FITTINGS	NO RESTRICTION				
			STAINLESS STEEL	GROOVED, PRESS FITTINGS	NO RESTRICTION				
SANITARY WASTE & VENT - ABOVE GRADE									
W	SANITARY WASTE	5	ALL	CAST IRON NO HUB CAST IRON NO HUB	NHCI FITTINGS NHCI FITTINGS	NO RESTRICTION NO RESTRICTION	NONE		
V	SANITARY VENT	5	ALL	SCH 40 PVC SCH 40 ABS	SOLVENT WELD	NOT ALLOWED IN PLENUMS			
PW	PUMPED WASTE	125	ALL	SCH 40 GALVANIZED STEEL SCH 80 CPVC	THREADED SOLVENT WELD	ABOVE GRADE ONLY NO RESTRICTION		INSTALL WITH POLYETHYLENE JACKET	
SANITARY WASTE & VENT - BELOW GRADE									
W	SANITARY WASTE	5	ALL	CAST IRON NO HUB SOLID WALL SCH 40 PVC	NHCI FITTINGS SOLVENT WELD	NO RESTRICTION NO RESTRICTION NOT FOR USE WHERE DISCHARGE EXCEEDS 140°F NOT FOR COMMERCIAL KITCHEN DISCHARGE (GREASE WASTE) UPSTREAM OF INTERCEPTOR	NONE		
V	SANITARY VENT	5	ALL	CAST IRON NO HUB SCH 40 PVC SCH 40 ABS	NHCI FITTINGS SOLVENT WELD	NO RESTRICTION NO RESTRICTION			
PW	PUMPED WASTE	125	ALL	SCH 40 GALVANIZED STEEL SCH 80 CPVC	THREADED SOLVENT WELD	ABOVE GRADE ONLY NO RESTRICTION		INSTALL WITH POLYETHYLENE JACKET	
CONDENSATE									
COND	CONDENSATE	5	ALL	COPPER TUBE DWV SOLID WALL PVC SCH 40 ASTM D2666	95-5 SOLDER SOLVENT WELD	NO RESTRICTION NOT ALLOWED IN PLENUMS	REQUIRED NOT REQUIRED		
NATURAL GAS PIPING									
NG	LOW PRESSURE NATURAL GAS (<14" W.C.)	5	1" AND SMALLER	CORRUGATED STAINLESS STEEL TUBING (CSST) ASTM A420 STEEL W/ POLYETHYLENE JACKET	THREADED	UNITS	NONE		
		125	4" AND SMALLER	CARBON STEEL PIPE SCH 40 A53B ERW	THREADED	ALL		OUTDOORS - PAINTED OR GALVANIZED	
MPG	MEDIUM PRESSURE NATURAL GAS (2 < 5 PSIG)	125	4" AND SMALLER	CARBON STEEL PIPE SCH 40 A53B ERW	THREADED	ALL		OUTDOORS - PAINTED OR GALVANIZED	
FUEL PIPING									
FOS/R; FOV	FUEL OIL FILL & VENT	125	2" AND SMALLER	CARBON STEEL PIPE SCH 40 ASTM A-53	SOCKETWELD	ALL	NONE		
STORM WATER PIPING									
RWL / ORL	RAIN WATER LEADER / OVERFLOW RAIN WATER LEADER	5	ALL	CAST IRON SOLID WALL SCH 40 PVC	NHCI COUPLINGS SOLVENT WELD	ALL BELOW GRADE OR IN GARAGE ONLY	1" INSULATION OF ALL HORIZONTAL PIPES IN CONDITIONED SPACES		

- REMARKS**
- PER 2012 UPC WITH WASHINGTON AMENDMENTS, PEX TUBING SHALL NOT BE INSTALLED WITHIN THE FIRST 18 INCHES OF PIPING CONNECTED TO A WATER HEATER.
 - ALL WASTE PIPES ARE TO BE ISOLATED FROM BUILDING STRUCTURE USING A CLOSED-CELL NEOPRENE SLEEVE.
 - CAST IRON OR PLENUM-RATED CPVC PIPE IS REQUIRED IN ALL RETURN AIR PLENUMS. PVC & ABS ARE NOT ALLOWED.
 - CEILING CAVITIES SURROUNDING WASTE PIPES OR ROOF DRAIN LINES ARE TO BE FILLED WITH BATT INSULATION.
 - FLOOR PENETRATIONS ARE TO BE PACKED WITH ROCK WOOL OR FIBERGLASS INSULATION AND SEALED WITH A RESILIENT FIRE CAULK. PIPING SHALL BE PREVENTED FROM MAKING RIGID CONTACT WITH THE STRUCTURE AT THESE PENETRATIONS.
 - INSULATE ALL METALLIC COLD WATER LINES WITH 1/2" FIBERGLASS WRAP OR EQUIVALENT.
 - PIPE SHALL BE INSULATED PER WASHINGTON STATE/ SEATTLE ENERGY CODE 2012 REQUIREMENTS EXCEPT WHERE NOTED OTHERWISE.
 - ALL BURIED PLASTIC PIPING INCLUDING PVC AND CPVC SHALL BE INSTALLED IN ACCORDANCE WITH ASTM D2321 AND ASTM F 1668 STANDARDS.

Printed: 6/21/2017 5:30:34 PM



LMN Architecture
Urban Design
Interiors

801 Second Avenue, Suite 501
Seattle, Washington 98104
T 206 662 3460
F 206 343 9388
www.lmnarchitects.com

RUSHING
Engineering - Essentials - Delivery

1725 WESTLAKE AVE N SUITE 300
SEATTLE, WA 98109
P: (206) 285-7100 F: (206) 285-7111



SOCl Use Only

SAM ASIAN ART MUSEUM

Asian Art Museum Expansion & Renovation
Volunteer Park / 1400 E Prospect / Seattle, WA 98112

Submital

Construction Documents

Revisions
No. Date By Description

Drawn: DD:DG
Checked: JL:RGR
LMN Proj No: 16028.01
Date: 6/23/17

Sheet Title: PLUMBING MATERIALS MATRIX
Sheet Number: P001

FOR REFERENCE ONLY

PLUMBING MATERIALS MATRIX

P001

Domestic Water Service Pressure

	Pressure/ Distance (ft)	Pressure (PSI)	Available Remaining Pressure	
Static Pressure available in street (psi)				
		36		Static Pressure per Modeled Flow test
WAC Elevation in ft:	442			WAC elevation
Service Entry Elevation in ft:	432			Water Entry Rm = 432'
Water Entry Losses (psig):				
Pressure loss/gain due to elevation from main to bldg P.O.C. (psig):	10 ft	-4.3	40.3	No change
Pressure loss due to friction from main to bldg P.O.C. (psig):		1.2	39.1	Based upon approx. 60 L.F. of 2" @ 84 GPM
Pressure Loss thru Water Meter (psig):		2	37.1	2" Sensus Water Meter @ 84 GPM
Loss thru backflow preventer (psig):		11	26.1	2" RPBA, Watts model LF909 @ ~84GPM
SPU Recommended design pressure reduction:		20	6.1	Per the Water Availability Certificate
Pressure Reducing Valve:		0	6.1	PRV Not Required
Minimum Pressure Required at Top of System (psig):				
Type of Furthest Fixture Assumed:	WC			<SH (35psi), Ir (50psi), WC (40psi)>
Pressure Required at Furthest Fixture:		40	-33.9	2012 UPC 608.1.2 - 15psi min, 80 psi max at fixture -Confirm no requirement for IRRIGATION
Elevation Change in pressure:				
Location of Assumed Furthest Fixture:	Level 3			
Top Elevation in ft:	467.375 ft			
Service Entry Elevation in ft:	432 ft			Elevation on WAC
Total Change in feet:	35.375 ft			
Total Change in psig:		15.3	-49.2	
Piping Pressure Loss - Friction Loss in Building:				
Total length of pipe - vertical:	175 ft			Based on change in elevation from Basement to Level 5
Total length of pipe - horizontal:	30 ft			Dist. from assumed water entry rm to most remote fixture
Total length of pipe:	205 ft			
Add for fittings: 35%	72 ft			
Total Equivalent Length	277 ft			
Average Friction Loss (psig/100ft):	3.5			
Total friction loss (psig)		9.7	-58.9	
Difference between Required and Available		-58.9		
Booster Pump Required (Yes/No)				
		YES		

Project Plumbing Load & Utility Coordination Matrix

Commercial							
Fixture Type	Number of Fixtures	WSFU/Fixture	Total WSFU	HWFU/Fixture	Total HWFU	DFU/Fixture	Total DFU
Shell/Core							
Water Closet	11	5.0	55.0	0.0	0.0	4.0	44.0
Urinal	3	4.0	12.0	0.0	0.0	2.0	6.0
Lav	9	1.0	9.0	0.8	6.8	1.0	9.0
Kitchen Sink w/DW	5	1.5	7.5	2.6	13.1	2.0	10.0
Showers	0	2.0	0.0	1.5	0.0	3.0	0.0
Mop Sink	1	3.0	3.0	2.3	2.3	3.0	3.0
Drinking Fountain	1	1.0	1.0	0.0	0.0	1.0	1.0
Floor Drain (2")	0	0.0	0.0	0.0	0.0	2.0	0.0
Hose Bibb	0	1.0	1.5	0.0	0.0	0.0	0.0
Subtotal			89.0		22.1		73.0

Total	89.0	22.1	73.0
Flush Valves or Flush Tanks?	Valve		
Total Domestic Water GPM:	64.0	Total Drainage Fixture Units:	73
Irrigation GPM	10.0		
HVAC Chilled Water - Makeup water GPM	10.0	(non-coincident)	
HVAC Heating Water - Makeup water GPM	10.0	(non-coincident)	
Humidifier GPM	2.0	600 lbf/hr = sum of humidifier loads	
Building Total Domestic Water GPM:	76.0		

Domestic Water Utility Coordination			
Domestic Water Utility Size	1-1/2"	Same as meter size UNO	
Domestic Water Meter Size	2"		
Domestic Water Pipe Size Within Bldg	2-1/2"		

Sanitary Sewer Utility Coordination			
Pipe slope within garage	1/8" per ft		
Total DFU	73		
Sanitary Sewer Size (if 1 POC)	4"	73	DFU Served
Sanitary Sewer Size (if 2 POC's @ 50%)	4"	37	DFU Served, Each
Coordinated Sanitary Sewer Size (Manual input)	6"		DFU Served

Storm Drainage Utility Coordination			
Total Horizontal Roof Drainage Area (SF)	24,150		
Total Vertical Roof Drainage Area (SF)	0		
Total Roof Drainage Area (SF)	24,150		
Detention Provided on site/ Daylighted ORL's	Yes		Yes: 1"/hour rainfall rate. No: 2"/hour rainfall rate
Storm Drain Size 1/8" slope (if 1 POC)	8"	24,150	sf served
Storm Drain Size (if 2 POC's @ 50%)	6"	12,075	sf served
Storm Drain Size (2 POC's, optimized: POC #1)	#N/A	6"	
Storm Drain Size (2 POC's, optimized: POC #2)	#N/A	3"	(manual input)

Notes:
 1: Domestic Water Supply Fixture Unit values based upon Appendix C, Table C4.1, and Appendix A, Table A2.1, Uniformed Plumbing Code
 2: Drainage Fixture Unit values based upon Appendix L, Table C 4.1(1), and Ch 7, Table 702.1, Uniform Plumbing Code
 3: Number of Shell/Core Fixtures based upon 7/2/15 Architectural Plans
 4: Storm Drainage connection sizes based upon combined primary/overflow systems (2"/hr) sloping at 1/4"/ft min.

Printed: 6/21/2017 5:30:39 PM



1725 WESTLAKE AVE N SUITE 300
 SEATTLE, WA 98109
 P: (206) 285-7100 F: (206) 285-7111



SOCl Use Only



Asian Art Museum Expansion & Renovation
 Volunteer Park / 1400 E Prospect / Seattle, WA 98112

Submital

Revisions
 No. Date By Description

Construction Documents



FOR REFERENCE ONLY

Drawn: DD/DG
 Checked: JLR/RJR
 LMN Proj No: 16028.01
 Date: 6/23/17

PLUMBING CALCULATIONS

P002

ELECTRIC WATER HEATER SCHEDULE

Table with columns: TAG #, EWH-L1-01, EWH-L1-02. Rows include: PROJECT, BASIS OF DESIGN, MANUFACTURER, MODEL, SPECIFICATIONS, MISC DATA.

REMARKS:

BACKFLOW PREVENTER SCHEDULE

Table with columns: TAG #, RPBA-L1-01, RPBA-L1-02, PRPBA-L1-03, RPBA-L1-04, RPBA-L1-05, RPBA-L2-06, RPBA-L1-07, RPBA-L1-08, DDCVA-L1-01. Rows include: SERVICE, BASIS OF DESIGN, TYPE, SPECIFICATIONS, MISC DATA.

REMARKS:

CIRCULATION PUMP SCHEDULE

Table with columns: TAG#, CP-L1-01, CP-L1-02. Rows include: BASIS OF DESIGN, DESIGN PARAMETERS, ELECTRICAL DATA, PHYSICAL DIMENSIONS, MISC DATA.

REMARKS:

NATURAL GAS PRV SCHEDULE

Table with columns: TAG #, GPRV-L1-01, GPRV-L1-02. Rows include: BASIS OF DESIGN, SPECIFICATIONS, MISC DATA.

REMARKS:

MIXING VALVE SCHEDULE

Table with columns: TAG #, TMV-L1-1, TMV-L1-2. Rows include: SERVICE, BASIS OF DESIGN, SPECIFICATIONS, MISC DATA.

REMARKS:

DOMESTIC WATER BOOSTER PUMP (DWBP) SCHEDULE

Table with columns: TAG #, DBP-L1-01. Rows include: BASIS OF DESIGN, DESIGN PARAMETERS, ELECTRICAL DATA, SPECIFICATIONS, PHYSICAL DIMENSIONS, MISC DATA.

REMARKS:

- 1. DUPLEX BOOSTER CONTROLLER WITH VARIABLE FLOW VIA VFD.
2. PACKAGED SYSTEM OF TWO PUMPS, ONE SIZED AT 1/3 CAPACITY, THE OTHER AT 2/3 CAPACITY.
3. NEMA 1 UL LISTED CONTROL PANEL WITH VFD, OVERLOAD PROTECTION, MINIMUM RUN TIMERS, LOW SUCTION CUT OFF, PROOF TIME DELAY, DOOR INTERLOCK, NO FLOW SHUTDOWN AND AUTOMATIC PUMP ALTERNATION.
4. FABRICATED STEEL FRAME FOR PUMPS TO BE MOUNTED, PIPED AND WIRED, AND PAINTED GRAY.
5. FACTORY SHALL PROVIDE FIELD START-UP.
6. BOOSTER PUMP SKID DIMENSIONS TBD.
7. MANUFACTURER SHALL ADD PUMP PACKAGE PRESSURE LOSS TO FT HD REQUIRED IN SCHEDULE.
8. MANUFACTURER SHALL PROVIDE A 5 YEAR WARRANTY ON ENTIRE PUMP PACKAGE.

Printed: 6/21/2017 3:26:33 PM



SOCI Use Only



Asian Art Museum Expansion & Renovation

Submital

Revisions

No. Date By Description

Sheet

Title

Sheet

Number



FOR REFERENCE ONLY

Drawn: DD-DG, Checked: JL-RSR, LMN Proj No: 16028.01, Date: 6/23/17

PLUMBING SCHEDULES

P011

CIRCULATION PUMP SCHEDULE

TAG#	FP-L1-01	FP-L1-02	FL-L1-03
BASIS OF DESIGN			
MANUFACTURER	B & G	B & G	B & G
MODEL	e3502	e3502	e3502
PUMP TYPE (IN-LINE, END SUCTION, ETC)	IN-LINE	IN-LINE	IN-LINE
SERVICE	NON-POTABLE FOUNTIAN	NON-POTABLE FOUNTIAN	NON-POTABLE FOUNTIAN
LOCATION	LEVEL 1	LEVEL 1	LEVEL 1
DESIGN PARAMETERS			
GPM (DESIGN)	20	20	20
FT. TOTAL HEAD (DESIGN)	27	27	27
SPECIFICATIONS			
CONTROL (TIME CLOCK, AQUA STAT, ETC)	WALL SWITCH	WALL SWITCH	WALL SWITCH
MOTOR VFD RATED (INVERTER DUTY)	NO	NO	NO
NSF 61 CERTIFIED (POTABLE SYSTEMS)	NO	NO	NO
LEAD FREE	NO	NO	NO
CASING	BRONZE	BRONZE	BRONZE
IMPELLER (CAST IRON, BRONZE)	BRONZE	BRONZE	BRONZE
WEAR RING	BRONZE	BRONZE	BRONZE
SHAFT	STEEL	STEEL	STEEL
SHAFT SLEEVE	BRONZE	BRONZE	BRONZE
SEAL TYPE	CARBON	CARBON	CARBON
PIPE CONNECTION SIZE	1-1/2"	1-1/2"	1-1/2"
ISOLATION	SEE ISOLATION SCHEDULE	SEE ISOLATION SCHEDULE	SEE ISOLATION SCHEDULE
ELECTRICAL DATA			
MOTOR	1/3 HP	1/3 HP	1/3 HP
VFD (PROVIDED BY M.C. & INSTALLED BY EC)	NO	NO	NO
VFD BYPASS	NO	NO	NO
RPM	1800	1800	1800
VOLTAGE/PHASE	120/1	120/1	120/1
EMERGENCY POWER	NO	no	NO
STANDBY POWER	NO	NO	NO
DISCONNECT	BY E.C.	BY E.C.	BY E.C.
PHYSICAL DIMENSIONS			
WEIGHT	15	15	15
MISC DATA			
PARTS AND LABOR WARRANTY FROM PROJECT SUBSTANTIAL COMPLETION DATE	1 YEAR	1 YEAR	1 YEAR
FREIGHT	FOB JOBSITE	FOB JOBSITE	FOB JOBSITE
SHIPPING INSTRUCTIONS - SHRINK WRAP & COVER ALL OPENINGS	YES	YES	YES
ELECTRONIC SUBMITTAL	YES	YES	YES
ELECTRONIC INSTALL/O&M MANUAL	YES	YES	YES

REMARKS:

EXPANSION TANK SCHEDULE

TAG #	ET-L1-01	ET-L1-02	HT-L1-01
BASIS OF DESIGN			
PROJECT	-	-	-
MANUFACTURER	AMTROL	AMTROL	WESSELS
MODEL	ST-S-C	ST-S-C	FXA-500
SPECIFICATIONS			
SERVICE	DOMESTIC HOT WATER	DOMESTIC HOT WATER	PRESS BOOSTER PUMP
LOCATION	MECH 118	MECH 121	PUMP RM 102
TANK VOLUME (GALLONS)	2 GAL	2 GAL	75 GAL
ACCEPTANCE (GALLONS)	0.9 GAL	0.9 GAL	-
ANTICIPATED SYSTEM VOLUME (GALLONS)	25 GAL	25 GAL	-
TANK MINIMUM PRESS. (PSIG)	70 PSIG	70 PSIG	70 PSIG
MAXIMUM PRESSURE ASSUMED FOR TANK SIZING (PSIG)	80 PSIG	80 PSIG	66 PSIG
RELIEF VALVE SETTING (PSIG)	85 PSIG	85 PSIG	-
CONNECTION SIZE	3/4"	3/4"	1-1/2"
MAX WORKING PRESSURE (PSIG)	150 PSIG	150 PSIG	125 PSIG
MAX OPERATING TEMP. (°F)	200	200	240
PHYSICAL DIMENSIONS			
LENGTH	-	-	-
HEIGHT	13"	13"	55"
DIAMETER	8"	8"	24"
SHIP WEIGHT (LBS)	5	5	225
WET WEIGHT (LBS)	21.7	22	848
ASME RATED	YES	YES	YES
MISC DATA			
PARTS AND LABOR WARRANTY FROM PROJECT SUBSTANTIAL COMPLETION DATE	1 YEAR	1 YEAR	1 YEAR
FREIGHT	FOB JOBSITE	FOB JOBSITE	FOB JOBSITE
SHIPPING INSTRUCTIONS - SHRINK WRAP & COVER ALL OPENINGS	YES	YES	YES
ELECTRONIC SUBMITTAL	YES	YES	YES
ELECTRONIC INSTALL/O&M MANUAL	YES	YES	YES

REMARKS:

GREASE TRAP SCHEDULE

TAG#	GI-L1-01
BASIS OF DESIGN	
MANUFACTURER	JOSAM
MODEL	6010BH
SPECIFICATIONS	
TYPE	HYDRO-MECH
SERVICE	KITCHEN
DRAINAGE FIXTURE UNITS SERVED	N/A (1)
DRAINAGE FIXTURE UNITS ALLOWED	N/A
FLOW RATE (HYDROMECHANICAL ONLY)	90
TOTAL SIZE (GAL)	N/A
LOCATION	MECH 118
PIPE CONNECTION SIZE (INLET)	3
MINIMUM FLUID SURFACE AREA (SF)	N/A
MINIMUM AIR VOLUME (GAL)	N/A
PIPE INLET ELEVATIONS (ABOVE BOTTOM OF UNIT)	N/A
PIPE OUTLET ELEVATION (ABOVE BOTTOM OF UNIT)	N/A
DIMENSIONS (LxWxH)	42x26x227Hx8x8H
WEIGHT (OPERATING)	-
MISC DATA	
PARTS AND LABOR WARRANTY FROM PROJECT SUBSTANTIAL COMPLETION DATE	1 YEAR
FREIGHT	FOB JOBSITE
SHIPPING INSTRUCTIONS - SHRINK WRAP & COVER ALL OPENINGS	YES
ELECTRONIC SUBMITTAL	YES
ELECTRONIC INSTALL/O&M MANUAL	YES

REMARKS:

- 3 COMPARTMENT SINK DIMENSIONS: 2 AT 18"x20"x14"D, 1 AT 24"x20"x14"D
- DESIGN BASED ON TWO MINUTE DRAIN-DOWN, FOR ALL THREE COMPARTMENTS, 75% FULL
- MANUFACTURER TO PROVIDE FLOW CONTROL DEVICE TO ENSURE MAXIMUM FLOW DOES NOT EXCEED DESIGN VALUE

MISCELLANEOUS PLUMBING EQUIPMENT SCHEDULE

EQUIP. NO.	EQ. QTY.	DESCRIPTION	AREA SERVED	LOCATION	MAKE BASIS	MODEL BASIS	GPM	ELECTRICAL															
								HP	AW	NCA	VOLTS	PH	DISC.	MAN.	MAG.								
PLUMBING EQUIPMENT - OFFICE																							
MISCELLANEOUS EQUIPMENT																							
UV-L1-01	3	ULTRA VIOLENT LIGHT	WATER FOUNTIANS	LEVEL 1	MATALA	SS-1.44WT	20 GPM	-	0.04	-	120	1	-	-	-	-							
WS-L1-01	1	WATER SOFTENER	NON POTABLE COLD WATER	LEVEL 1	AQUASANA	SIMPLY SOFT	15 GPM	-	-	-	-	-	-	-	-	-							
PR-L1-01	3	PRE-FILTER	WATER FOUNTIANS	LEVEL 1	HAYWARD	S8 SERIES	20 GPM	-	-	-	-	-	-	-	-	-							
FF-L1-01	3	FINAL FILTER	WATER FOUNTIANS	LEVEL 1	HAYWARD	C250	20 GPM	-	-	-	-	-	-	-	-	-							
TRAP PRIMERS & SEALS																							
TP-L1-01	5	ELECTRONIC TRAP PRIMER	LEVEL 1 MECHANICAL ROOM	LEVEL 1	ZURN	-	-	-	-	-	-	-	-	-	-	-							
AIR COMPRESSOR																							
AC-L1-01	1	VERTICAL AIR COMPRESSOR	BUILDING	MECH RM 121	INGERSOL RAND	SS5L5	16 SCFM	5	-	-	460	3	EC	EC	-	-							
RAD-L1-1	1	REFRIGERATED AIR DRYER	AIR COMPRESSOR	MECH RM 121	INGERSOL RAND	D421T	25 SCFM	1/4	0.37	5.2	120	1	EC	-	-	-							

Printed: 6/21/2017 10:26:04 PM



1725 WESTLAKE AVE N SUITE 300
SEATTLE, WA 98109
P: (206) 285-7100 F: (206) 285-7111



SOCl Use Only



Asian Art Museum Expansion & Renovation
Volunteer Park / 1400 E Prospect / Seattle, WA 98112

Submital

Construction Documents

Revisions

No. Date By Description

Sheet Title

PLUMBING SCHEDULES



Sheet Number

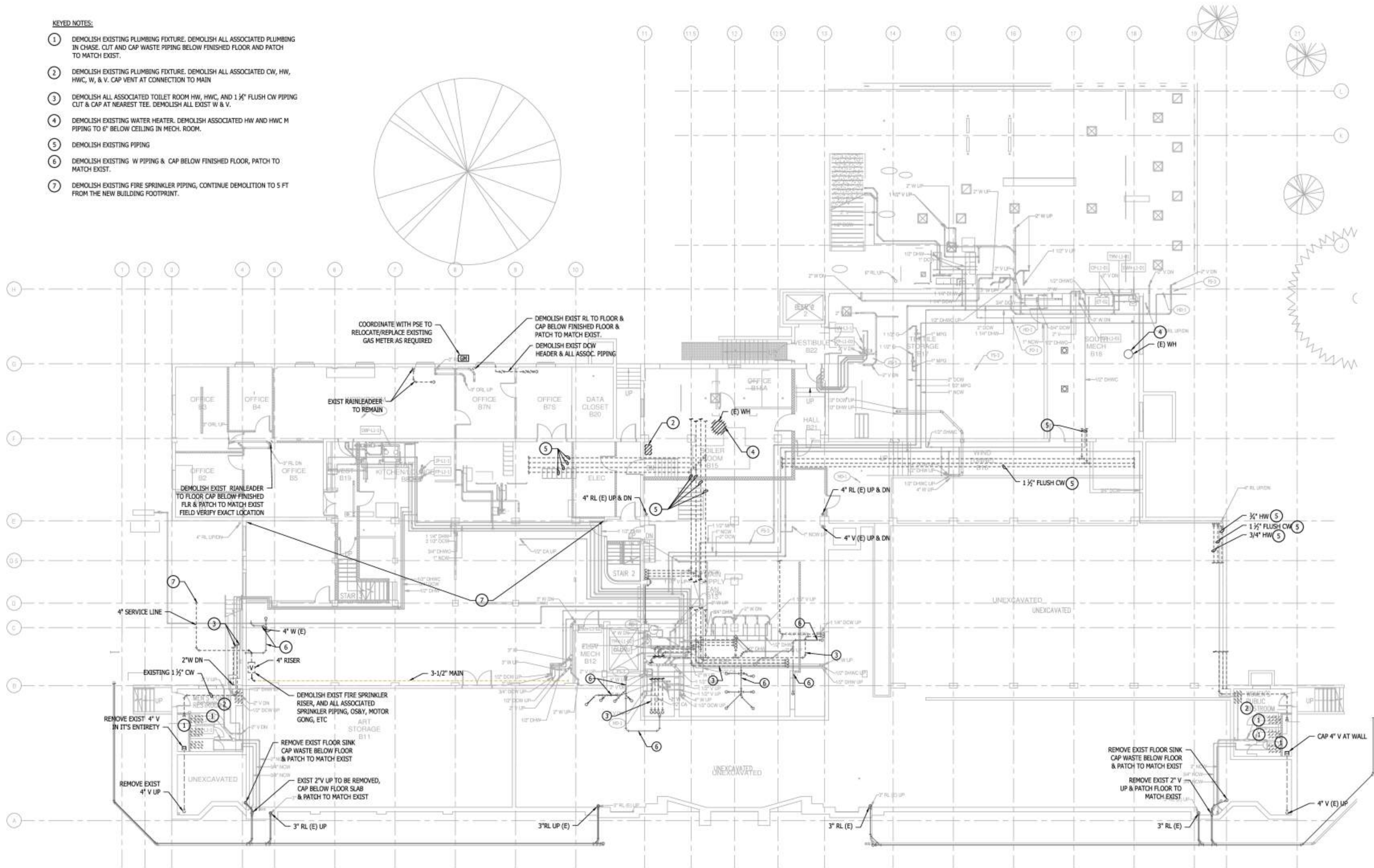
FOR REFERENCE ONLY

Drawn: DD-DG
Checked: JL-PSR
LMN Proj No: 16028.01
Date: 6/23/17

P012

KEYED NOTES:

- 1 DEMOLISH EXISTING PLUMBING FIXTURE. DEMOLISH ALL ASSOCIATED PLUMBING IN CHASE. CUT AND CAP WASTE PIPING BELOW FINISHED FLOOR AND PATCH TO MATCH EXIST.
- 2 DEMOLISH EXISTING PLUMBING FIXTURE. DEMOLISH ALL ASSOCIATED CW, HW, HWC, W, & V. CAP VENT AT CONNECTION TO MAIN.
- 3 DEMOLISH ALL ASSOCIATED TOILET ROOM HW, HWC, AND 1 1/2" FLUSH CW PIPING CUT & CAP AT NEAREST TEE. DEMOLISH ALL EXIST W & V.
- 4 DEMOLISH EXISTING WATER HEATER. DEMOLISH ASSOCIATED HW AND HWC M PIPING TO 6" BELOW CEILING IN MECH. ROOM.
- 5 DEMOLISH EXISTING PIPING
- 6 DEMOLISH EXISTING W PIPING & CAP BELOW FINISHED FLOOR, PATCH TO MATCH EXIST.
- 7 DEMOLISH EXISTING FIRE SPRINKLER PIPING, CONTINUE DEMOLITION TO 5 FT FROM THE NEW BUILDING FOOTPRINT.



1 PLUMBING DEMO PLAN - LEVEL 1
 1/8" = 1'-0"



LMN Architecture
 Urban Design
 Interiors

RUSHING
 Engineering - Essentials - Delivery

1725 WESTLAKE AVE N SUITE 300
 SEATTLE, WA 98109
 P: (206) 285-7100 F: (206) 285-7111



SOCI Use Only

SAM ASIAN
 ART
 MUSEUM

Asian Art Museum Expansion & Renovation
 Volunteer Park / 1400 E Prospect /
 Seattle, WA 98112

Submital

Construction
 Documents

Revisions
 No. Date By Description

Drawn: DD/DG
 Checked: JL/RSR
 LMN Proj No: 16028.01
 Date: 6/23/17

Sheet Title
 Sheet Number

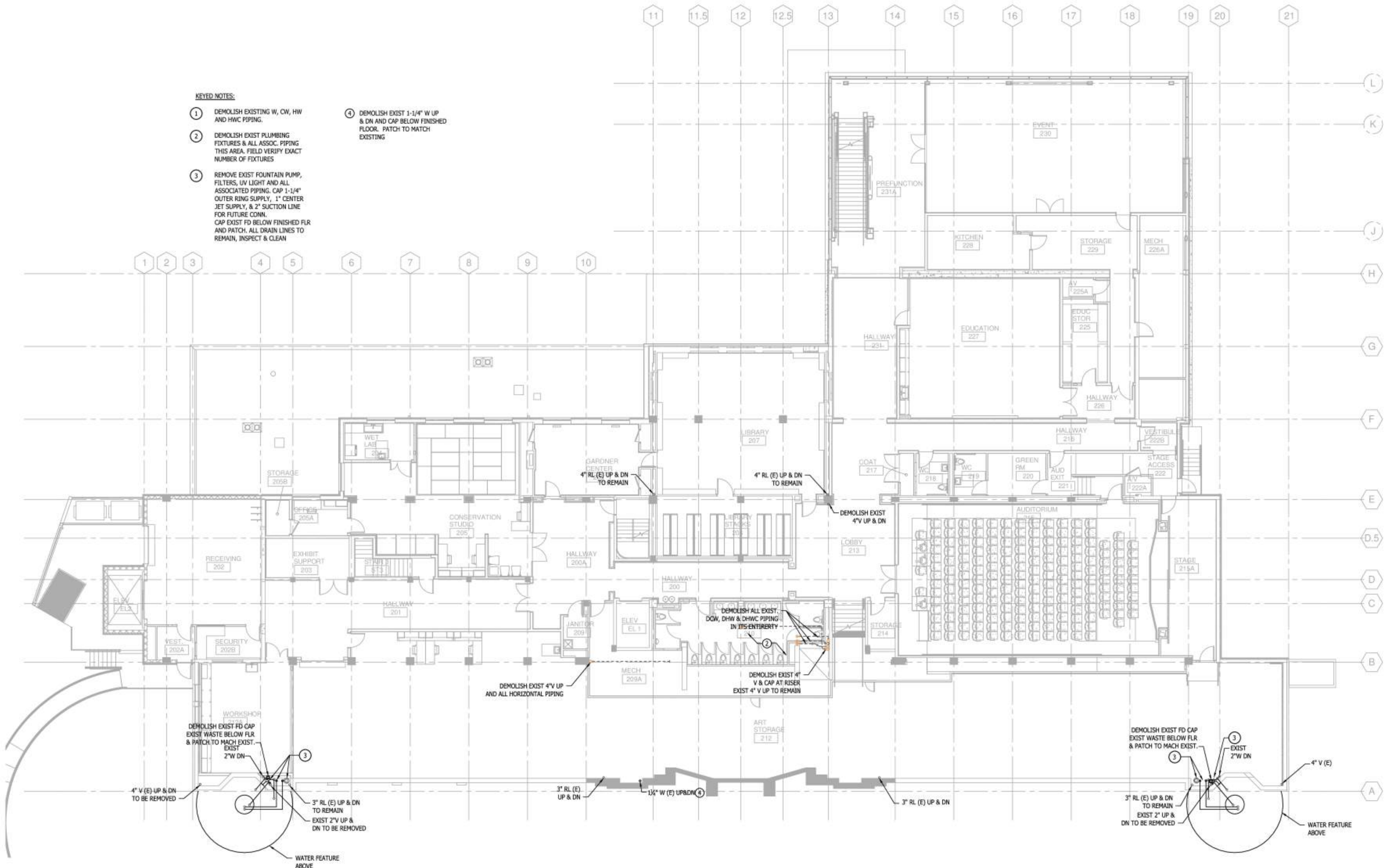
PLUMBING DEMO
 PLAN - LEVEL 1

FOR REFERENCE ONLY

P101

KEYED NOTES:

- ① DEMOLISH EXISTING W, CW, HW AND HWC PIPING.
- ② DEMOLISH EXIST PLUMBING FIXTURES & ALL ASSOC. PIPING THIS AREA. FIELD VERIFY EXACT NUMBER OF FIXTURES
- ③ REMOVE EXIST FOUNTAIN PUMP, FILTERS, UV LIGHT AND ALL ASSOCIATED PIPING. CAP 1-1/4" OUTER RING SUPPLY, 1" CENTER JET SUPPLY, & 2" SUCTION LINE FOR FUTURE CONN. CAP EXIST FD BELOW FINISHED FLR AND PATCH. ALL DRAIN LINES TO REMAIN, INSPECT & CLEAN
- ④ DEMOLISH EXIST 1-1/4" W UP & DN AND CAP BELOW FINISHED FLOOR. PATCH TO MATCH EXISTING



① PLUMBING DEMO PLAN - LEVEL 2
1/8" = 1'-0"



LMN Architecture
Urban Design
Interiors

801 Second Avenue, Suite 501
Seattle, Washington 98104
T 206 662 3460
F 206 343 9388
www.lmnarchitects.com

RUSHING
Engineering - Estimators - Delivery

1725 WESTLAKE AVE N SUITE 300
SEATTLE, WA 98109
P: (206) 285-7100 F: (206) 285-7111



SOCl Use Only

SAM ASIAN ART MUSEUM

Asian Art Museum Expansion & Renovation
Volunteer Park / 1400 E Prospect / Seattle, WA 98112

Submital

Construction Documents

Revisions	No.	Date	By	Description

FOR REFERENCE ONLY

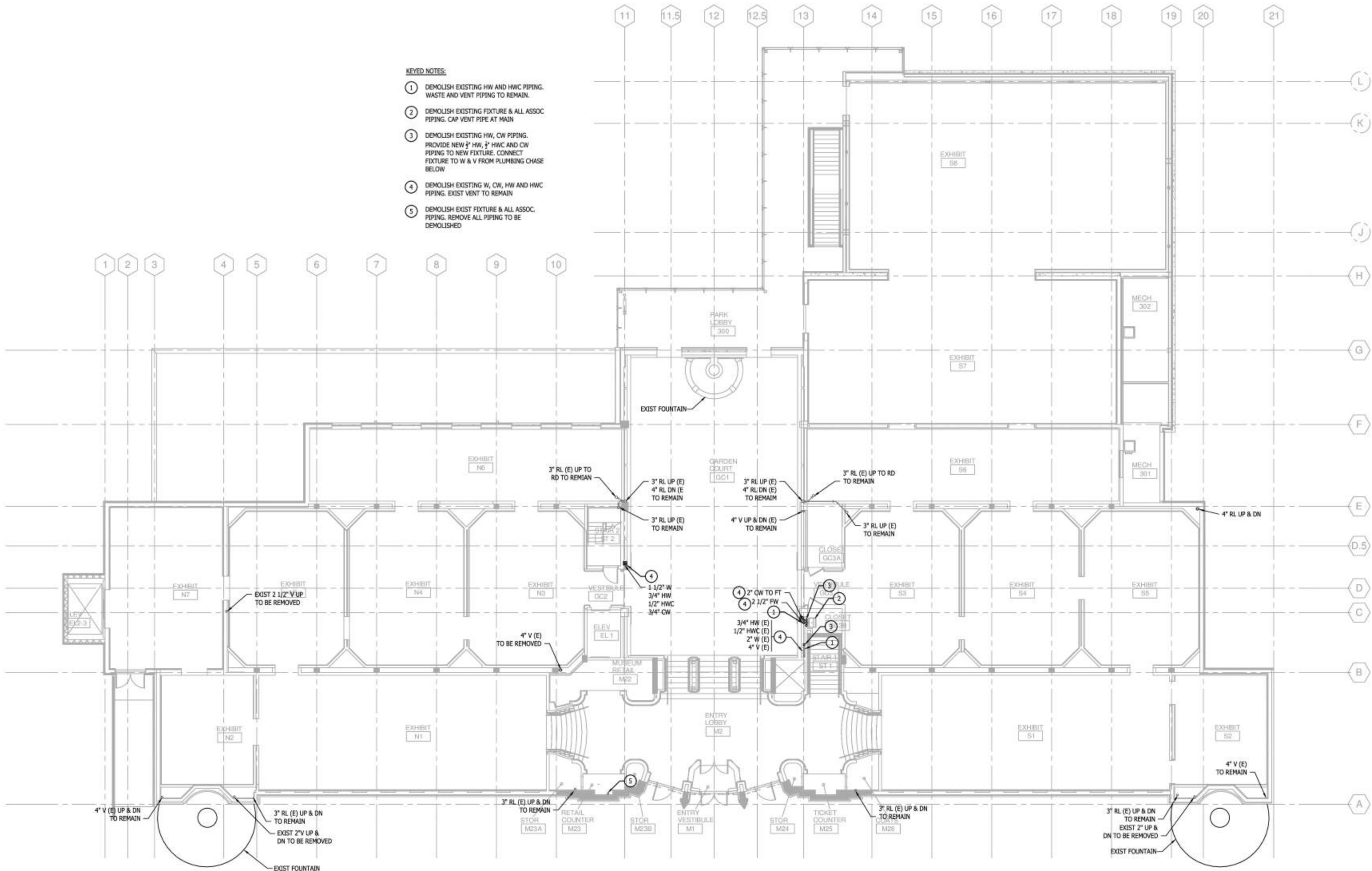
Drawn: DD/DG
Checked: JL/RSR
LMN Proj No: 16028.01
Date: 6/23/17

Sheet Title: PLUMBING DEMO PLAN - LEVEL 2

Sheet Number: P102

KEYED NOTES:

- ① DEMOLISH EXISTING HW AND HWC PIPING. WASTE AND VENT PIPING TO REMAIN.
- ② DEMOLISH EXISTING FIXTURE & ALL ASSOC PIPING. CAP VENT PIPE AT MAIN
- ③ DEMOLISH EXISTING HW, CW PIPING. PROVIDE NEW 1/2" HW, 1/2" HWC AND CW PIPING TO NEW FIXTURE. CONNECT FIXTURE TO W & V FROM PLUMBING CHASE BELOW
- ④ DEMOLISH EXISTING W, CW, HW AND HWC PIPING. EXIST VENT TO REMAIN
- ⑤ DEMOLISH EXIST FIXTURE & ALL ASSOC PIPING. REMOVE ALL PIPING TO BE DEMOLISHED



PLUMBING DEMO PLAN - LEVEL 3
1/8" = 1'-0"

Printed: 6/21/2017 5:24:25 PM



LMN Architecture
Urban Design
Interiors

RUSHING
Engineering - Estimators - Delivery

1725 WESTLAKE AVE N SUITE 300
SEATTLE, WA 98109
P: (206) 285-7100 F: (206) 285-7111



SOCl Use Only

SAM ASIAN ART MUSEUM

Asian Art Museum Expansion & Renovation
Volunteer Park / 1400 E Prospect /
Seattle, WA 98112

Submital

Construction Documents

Revisions
No. Date By Description

FOR REFERENCE ONLY

Drawn: DD/DG
Checked: JLR/RSR
LMN Proj No: 16028.01
Date: 6/23/17

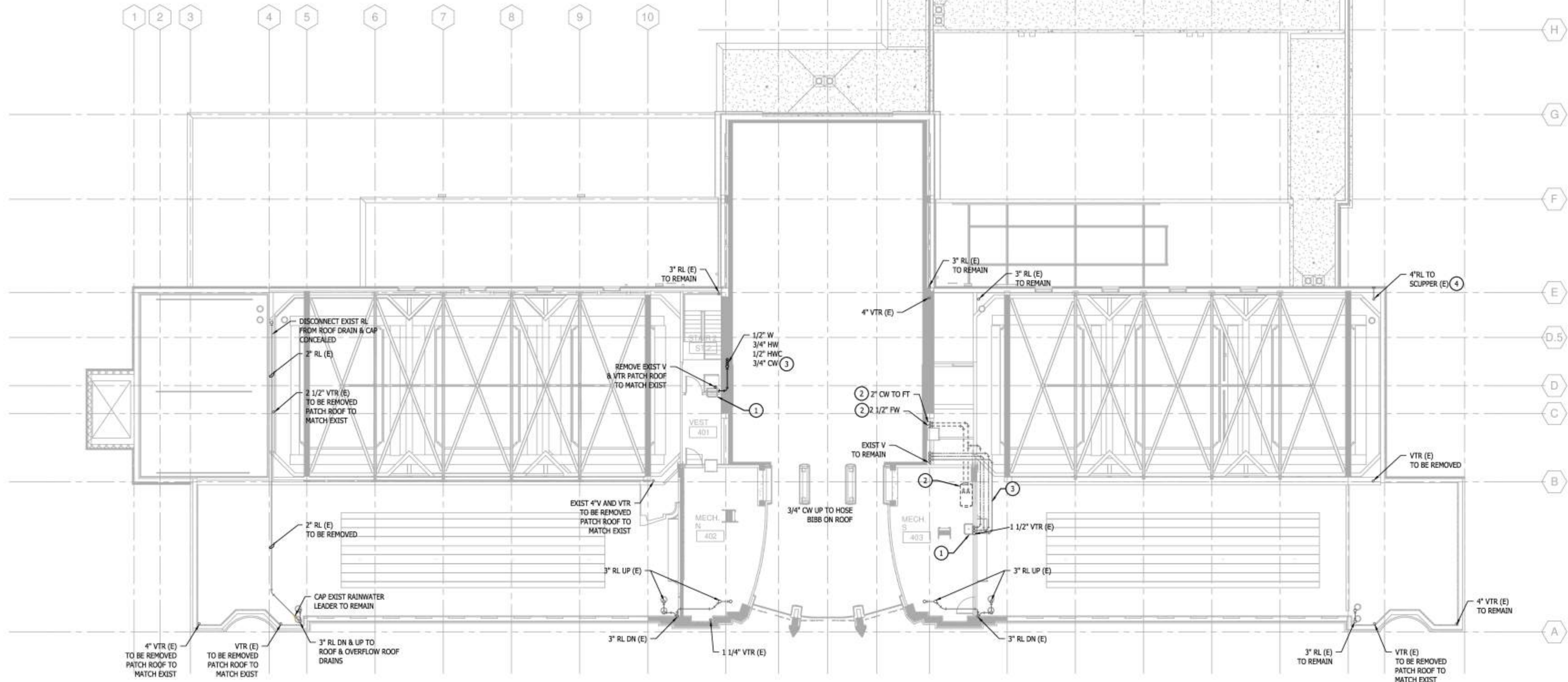
Sheet Title
PLUMBING DEMO PLAN - LEVEL 3

Sheet Number
P103

11 11.5 12 12.5 13 14 15 16 17 18 19 20 21

L
K
J
H
G
F
E
D.5
D
C
B
A

- KEYED NOTES:**
- ① DEMOLISH EXISTING FIXTURE AND ASSOCIATED PIPING
 - ② DEMOLISH EXISTING FLUSH TANK AND ALL ASSOCIATED PIPING
 - ③ DEMOLISH EXISTING PIPING.
 - ④ DEMOLISH EXIST ROOF DRAIN TO SCUPPER COORDINATE WITH ARCH



1 PLUMBING DEMO PLAN - LEVEL 4
1/8" = 1'-0"



P:\104\10417\10417_04.dwg

LMN Architecture
Urban Design
Interiors

RUSHING
Engineering - Essentials - Delivery

1725 WESTLAKE AVE N SUITE 300
SEATTLE, WA 98109
P: (206) 285-7100 F: (206) 285-7111



SOCl Use Only

SAM ASIAN ART MUSEUM

Asian Art Museum Expansion & Renovation
Volunteer Park / 1400 E Prospect /
Seattle, WA 98112

Submital

Construction Documents

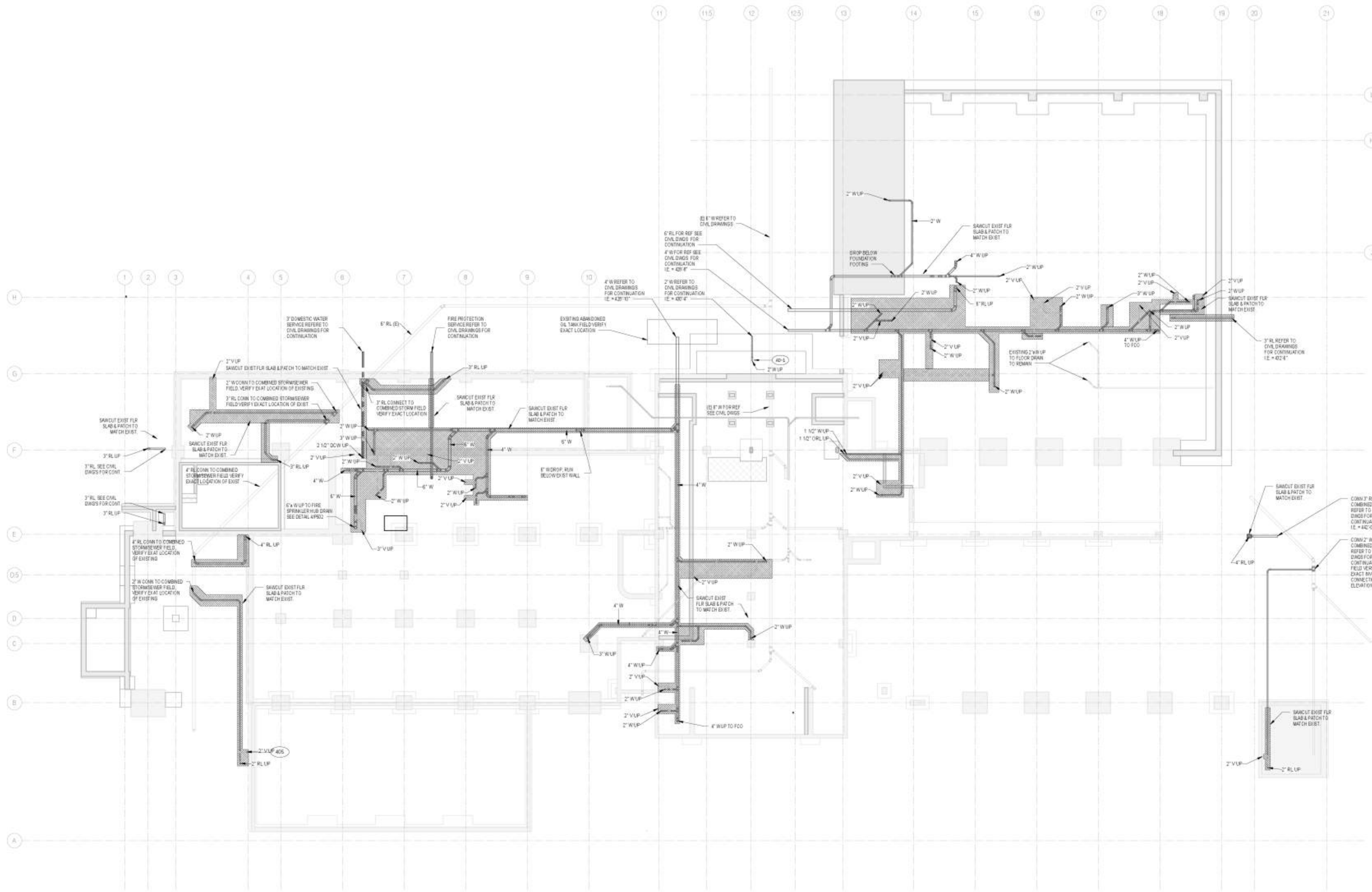
Revisions	No.	Date	By	Description

FOR REFERENCE ONLY

Drawn: DD/DG
Checked: JLR/RSR
LMN Proj No: 10229.01
Date: 6/23/17

Sheet Title: PLUMBING DEMO PLAN - LEVEL 4

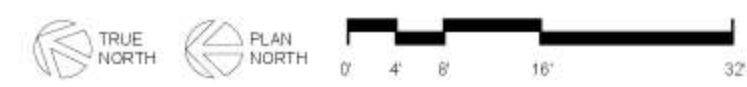
Sheet Number: **P104**



GENERAL NOTE:

A. SAW CUT EXISTING FLOOR SLAB FOR ALL WASTE, VENT AND DOMESTIC WATER PIPE INSTALLATION AND PATCH TO MATCH EXISTING.
 B. ALL EXISTING BELOW SLAB WASTE PIPING TO BE ABANDONED IN PLACE. SAW CUT AND REMOVE SECTION AS REQUIRED FOR NEW WASTE PIPE INSTALLATION.

PLUMB PLAN - BELOW GRADE
 SCALE: 1/8" = 1'-0"



Pinned: 02/17/2017 5:51:31 PM

LMN Architecture
 Urban Design
 Interiors

RUSHING
 Engineering - Estimating - Delivery
 1725 WESTLAKE AVE N SUITE 300
 SEATTLE, WA 98109
 P: (206) 285-7100 F: (206) 285-7111



SDD Use Only

SAM ASIAN ART MUSEUM

Asian Art Museum Expansion & Renovation
 Volunteer Park / 1400 E Prospect /
 Seattle, WA 98112

Submital

Construction Documents

Revisions			
No.	Date	By	Description

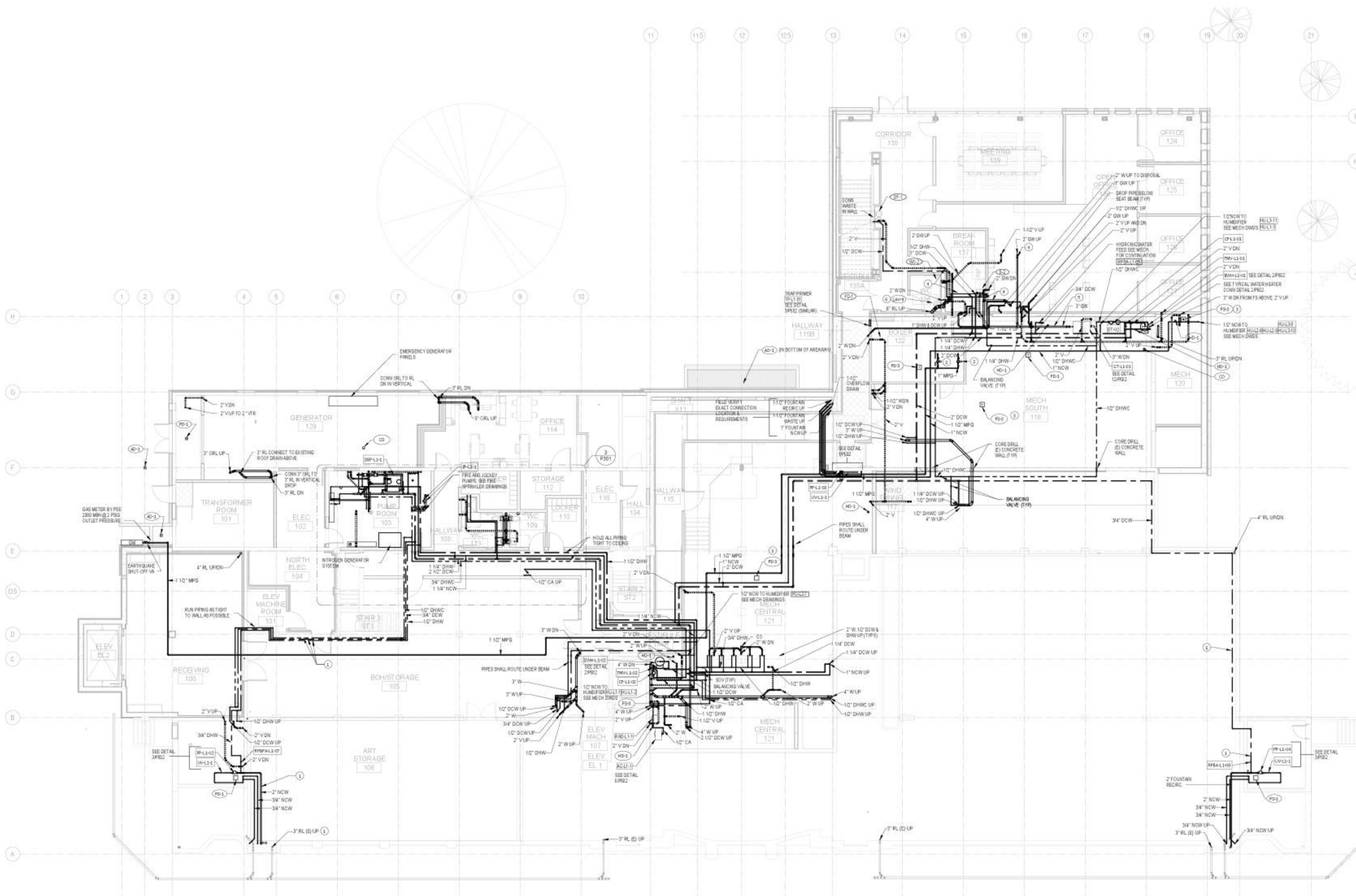
FOR REFERENCE ONLY

Drawn: 00/00
 Checked: JLR/SR
 LMN Proj No: 16028.01
 Date: 6/23/17

Sheet Title: PLUMBING PLAN - BELOW GRADE
 Sheet Number: P200

PLUMBING PLAN -
 BELOW GRADE

P200



KEYED NOTES

- 1 PROVIDE CONTAINMENT FOR ALL CR, FR, HVC L/W IN BASEMENT STORAGE ROOMS. SEE DETAILS SH1 P50.1
- 2 CORN TO BOILER W/FRY (SEE MECH DWG'S)
- 3 COORDINATE FLOOR DRAIN/STAIN LOCATION WITH HVAC EQUIPMENT
- 4 RUN WASTE IN BEAM/POCKET AS HIGH AS POSSIBLE
- 5 COORDINATE PIPING INSTALLATION WITH DUCTWORK
- 6 PROVIDE WATER CLOSET WITH HORIZONTAL CARRIER AND DRY SET WASTE IN PLUMBING CHASE AROUND FOUNDATION FOOTING BELOW

PLUMB PLAN - LEVEL 1
SCALE: 1/8" = 1'-0"



Printed 02/17/2017 5:51:47 PM

LMN Architecture
Urban Design
Interiors

801 Second Avenue, Suite 501
Seattle, Washington 98104
T 206 462 3460
F 206 343 0900
www.lmna.com

RUSHING
Engineering - Estimators - Delivery

1725 WESTLAKE AVE N SUITE 300
SEATTLE, WA 98109
P (206) 285-7100 F (206) 285-7111



SDD Use Only

SAM ASIAN ART MUSEUM

Asian Art Museum Expansion & Renovation
Volunteer Park / 1400 E Prospect /
Seattle, WA 98112

Submit

Construction Documents

Revisions	No.	Date	By	Description

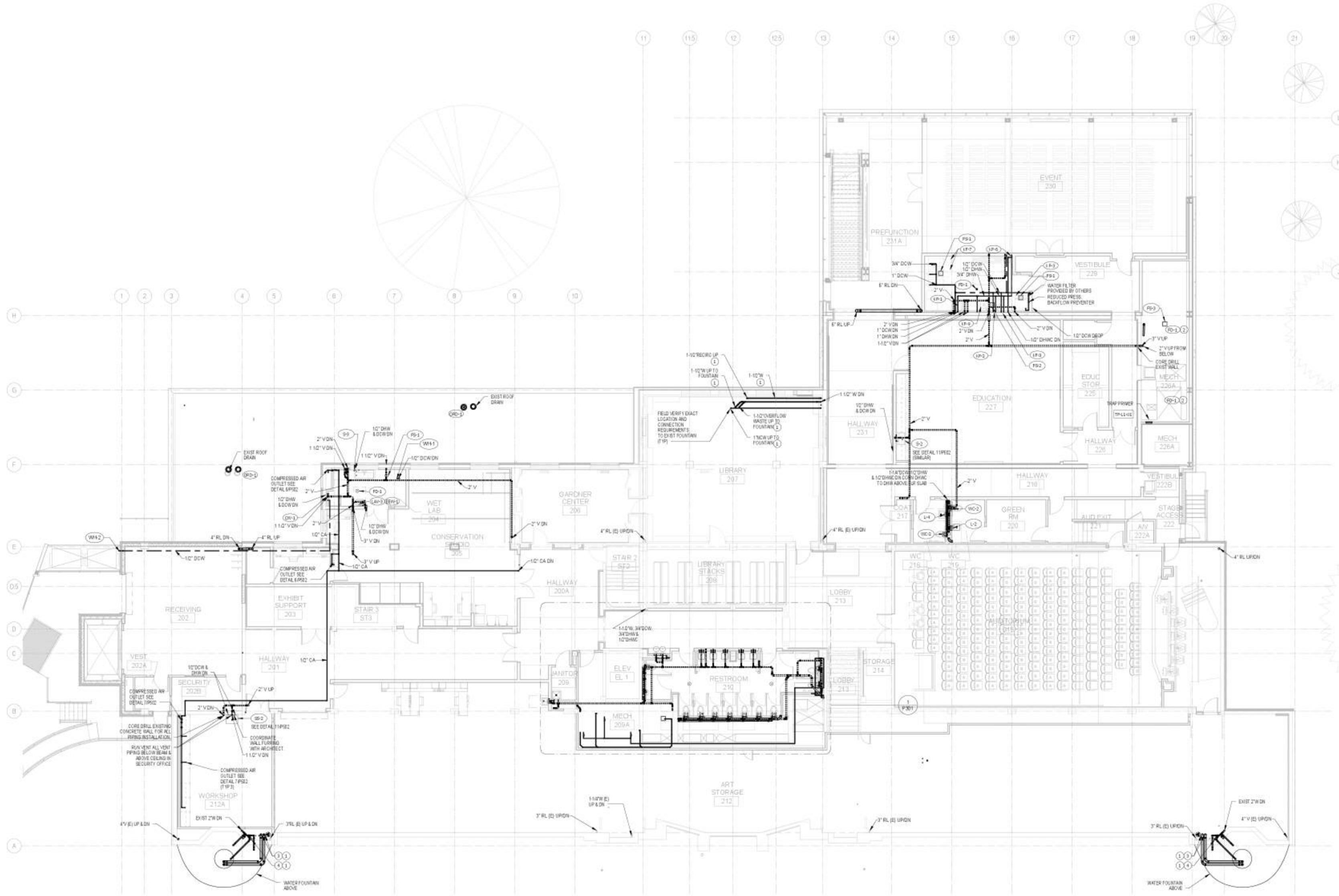
FOR REFERENCE ONLY

Drawn: [Blank]
Checked: [Blank]
LMN Proj No: [Blank]
Date: 6/23/17

Sheet Title	Sheet Number

PLUMBING FLOOR PLAN - LEVEL 01

P201



- KEYED NOTES:**
- 1 PROVIDE WATER CONTAINMENT FOR ALL ROOF DRAIN BOWL OVERFLOW ROOF DRAIN BOWL AND RAIN LEADER PIPING PER DETAIL 3P41
 - 2 PROVIDE FLOOR DRAIN IN MECH. SPACE COORD W/ VPRE ROUTING & CONNECTION TO EXISTING AS REQUIRED
 - 3 1" CENTER, 1/2" & 1/4" OUTER RING SUPPLY ON COM TO EXIST. AT EXTERIOR WALL PENETRATION FIELD VERIFY EXACT LOCATION. SEE DETAIL 3P82.
 - 4 2" RIGID LINE ON COM TO EXIST FOUNTAIN REGRADIENT AT EXTERIOR WALL PENETRATION FIELD VERIFY EXACT LOCATION. SEE DETAIL 3P82.

PLUMB PLAN - LEVEL 2
SCALE: 1/8" = 1'-0"



Pinned 02/17/2017 5:52:09 PM

LMN Architecture
Urban Design
Interiors

RUSHING
Engineering - Estimators - Delivery
1725 WESTLAKE AVE N SUITE 300
SEATTLE, WA 98109
P: (206) 285-7100 F: (206) 285-7111



SDD Use Only

SAM ASIAN ART MUSEUM

Asian Art Museum Expansion & Renovation
Volunteer Park / 1400 E Prospect /
Seattle, WA 98112

Submital

Revisions			
No.	Date	By	Description

Construction Documents

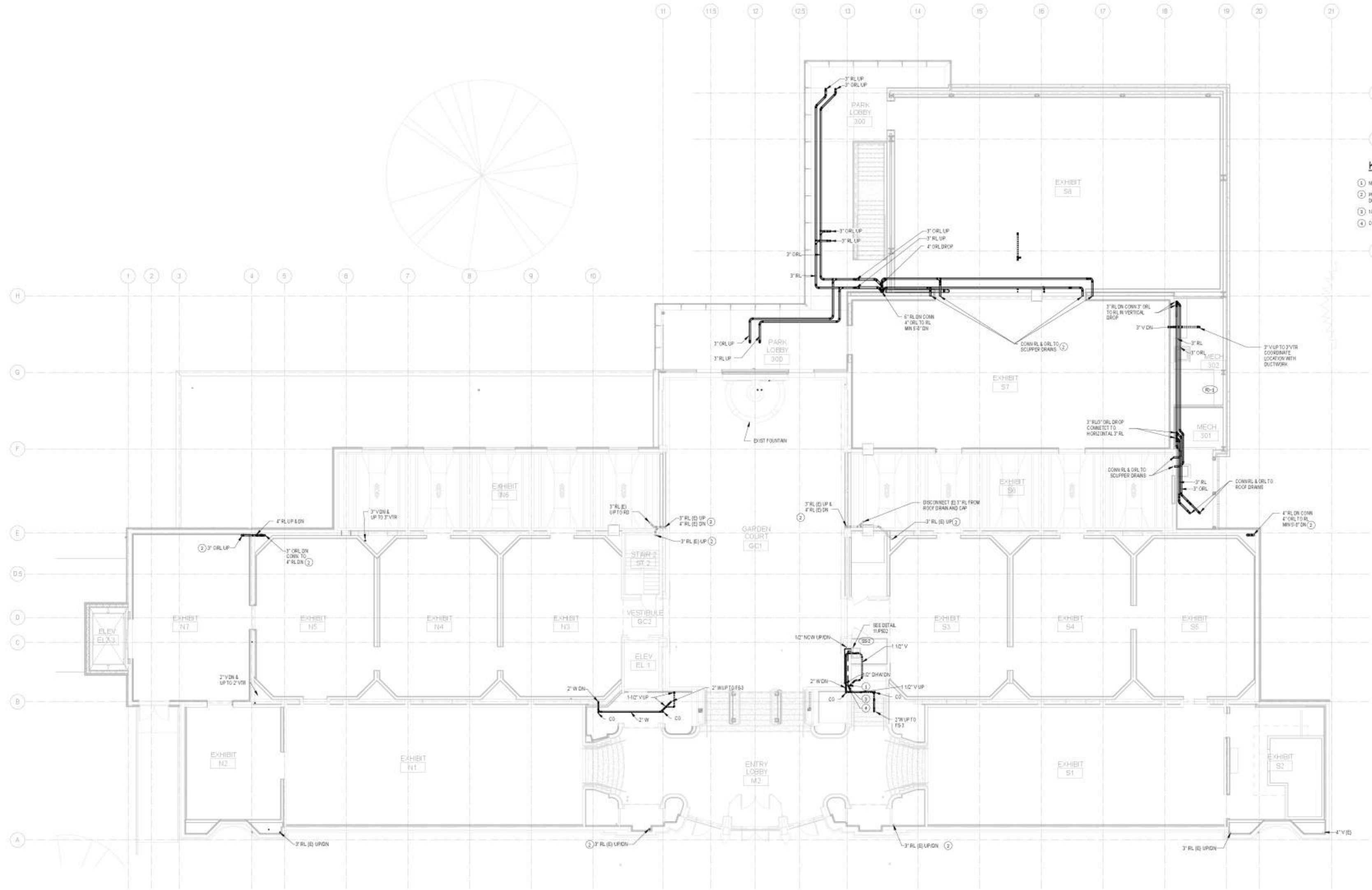
FOR REFERENCE ONLY

Drawn: LMN Proj No
Checked: LMN Proj No
Date: 6/23/17

Author: 16028.01
Checker: 16028.01
Date: 6/23/17

PLUMBING FLOOR PLAN - LEVEL 02

P202



KEYED NOTES

- 1 NEW 3/4" OR UP & DN
- 2 PROVIDE WATER CONTAINMENT FOR ALL ROOF DRAIN BOWL, OVERFLOW ROOF DRAIN BOWL, AND RAIN LEADER PIPING PER DETAIL SPS01
- 3 1/2" DWAC DN CONN TO 1/2" DWAC
- 4 CONN 1/2" V TO EXHIBIT 4" V

PLUMB PLAN - LEVEL 3

SCALE: 1/8" = 1'-0"



Pinned: 02/27/2017 5:52:14 PM

LMN Architecture
Urban Design
Interiors

RUSHING
Engineering - Estimators - Delivery

1725 WESTLAKE AVE N SUITE 300
SEATTLE, WA 98109
P: (206) 285-7100 F: (206) 285-7111



SAM ASIAN ART MUSEUM

Asian Art Museum Expansion & Renovation
Volunteer Park / 1400 E Prospect /
Seattle, WA 98112

Submit

Construction Documents

Revisions
No. Date By Description

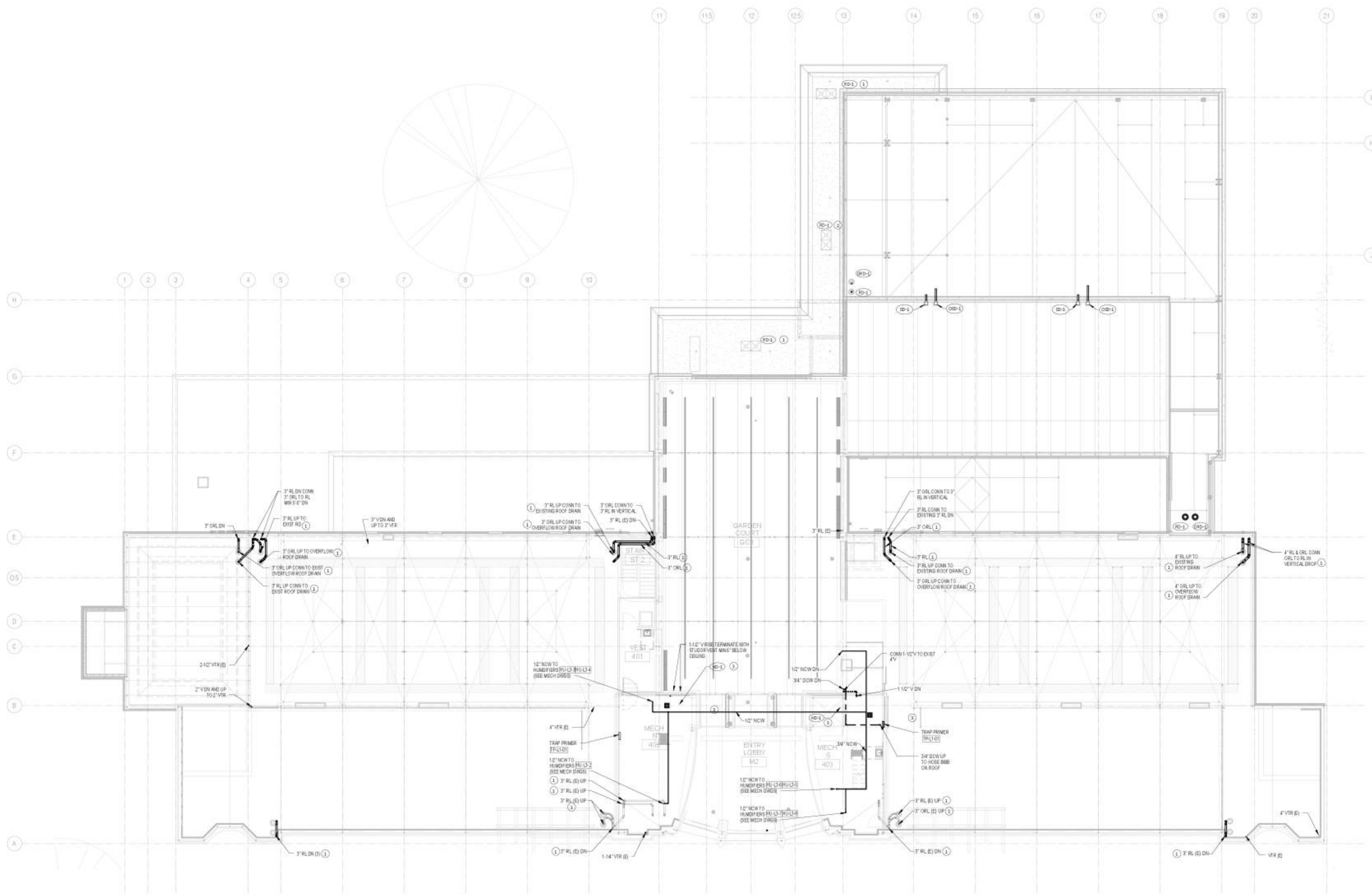
FOR REFERENCE ONLY

Drawn: [Blank]
Checked: [Blank]
LMN Proj No: [Blank]
Date: 6/23/17

Sheet Title: PLUMBING FLOOR PLAN - LEVEL 03
Sheet Number: P203

Author: [Blank]
Checker: 16028.01
Date: 6/23/17

P203



- KEYED NOTES:**
- 1 PROVIDE WATER CONTAINMENT FOR ALL ROOF DRAIN BOWL OVERFLOW ROOF DRAIN BOWL, AND RAIN LEADER PIPING PER DETAIL 4PS-01
 - 2 COORDINATE ROUTING AND INSTALLATION OF NEW FLOOR DRAIN WITH ARCHITECT FOR RENEVAL AND REPLACEMENT OF CEILING BELOW AS REQUIRED. ROUTE WAY TO CONNECT TO EXISTING AS REQUIRED.
 - 3 COORDINATE EXACT LOCATION WITH HVAC REQUIREMENTS.

PLUMB PLAN - LEVEL 4
SCALE: 1/8" = 1'-0"



Printed: 6/21/2017 5:52:15 PM

LMN Architecture
Urban Design
Interiors

RUSHING
Engineering - Estimators - Delivery

1725 WESTLAKE AVE N SUITE 300
SEATTLE, WA 98109
P: (206) 285-7100 F: (206) 285-7111

801 Second Avenue, Suite 501
Seattle, Washington 98104
T: 206 462 3460
F: 206 343 0900
www.lmarchitects.com



SDD Use Only

SAM ASIAN ART MUSEUM

Asian Art Museum Expansion & Renovation

Volunteer Park / 1400 E Prospect /
Seattle, WA 98112

Submital

Construction Documents

Revisions	No.	Date	By	Description

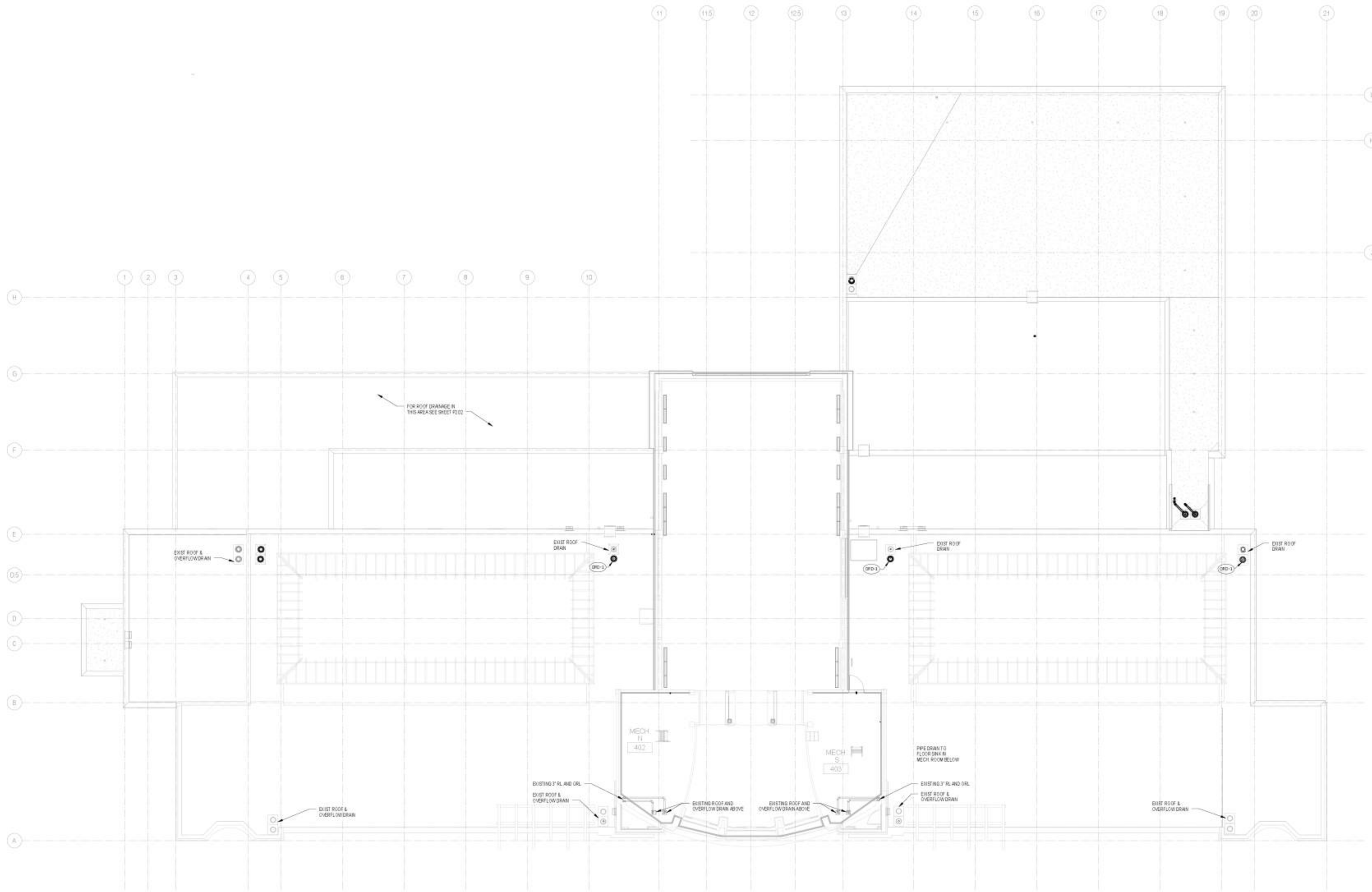
FOR REFERENCE ONLY

Drawn: [Blank]
Checked: [Blank]
LMN Proj No: [Blank]
Date: 6/23/17

Author: [Blank]
Checker: 16028.01
Date: 6/23/17

Sheet Title: PLUMBING FLOOR PLAN - ATTIC

Sheet Number: P204



PLUMB PLAN - LEVEL 5 - T.O. ROOF

SCALE: 1/8" = 1'-0"



P:\proj\007\007_155221.PW

LMN Architecture
Urban Design
Interiors

RUSHING
Engineering - Exhibits - Delivery

1725 WESTLAKE AVE N SUITE 300
SEATTLE, WA 98109
P: (206) 285-7100 F: (206) 285-7111



SDD Use Only

SAM ASIAN
ART
MUSEUM

Asian Art Museum Expansion & Renovation
Volunteer Park / 1400 E Prospect /
Seattle, WA 98112

Submital

Construction
Documents

Revisions
No. Date By Description

Sheet
Title
Number

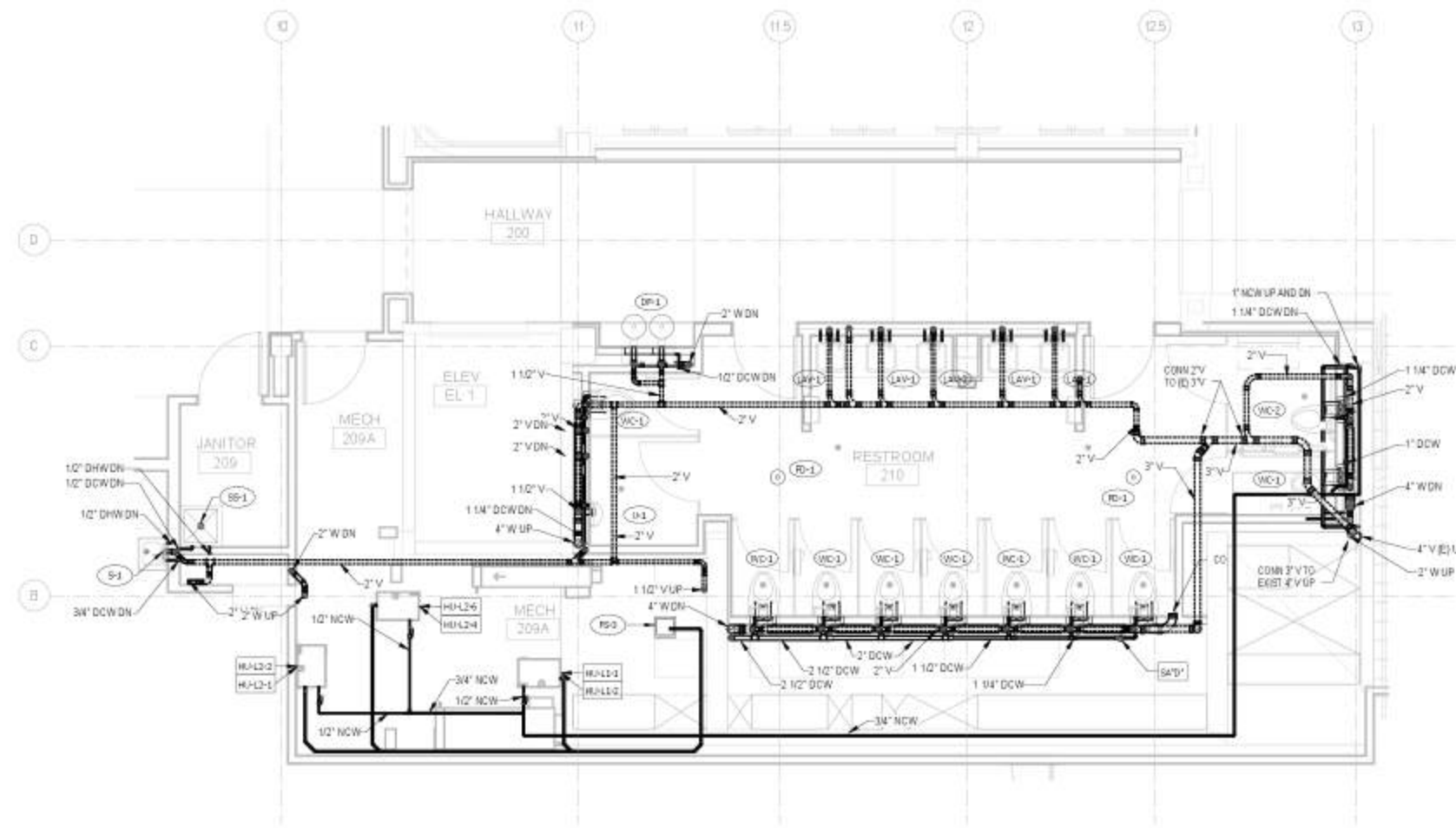
FOR REFERENCE ONLY

Drawn
Checked
LMN Proj No
Date

Author
Checker
16028 01
6/23/17

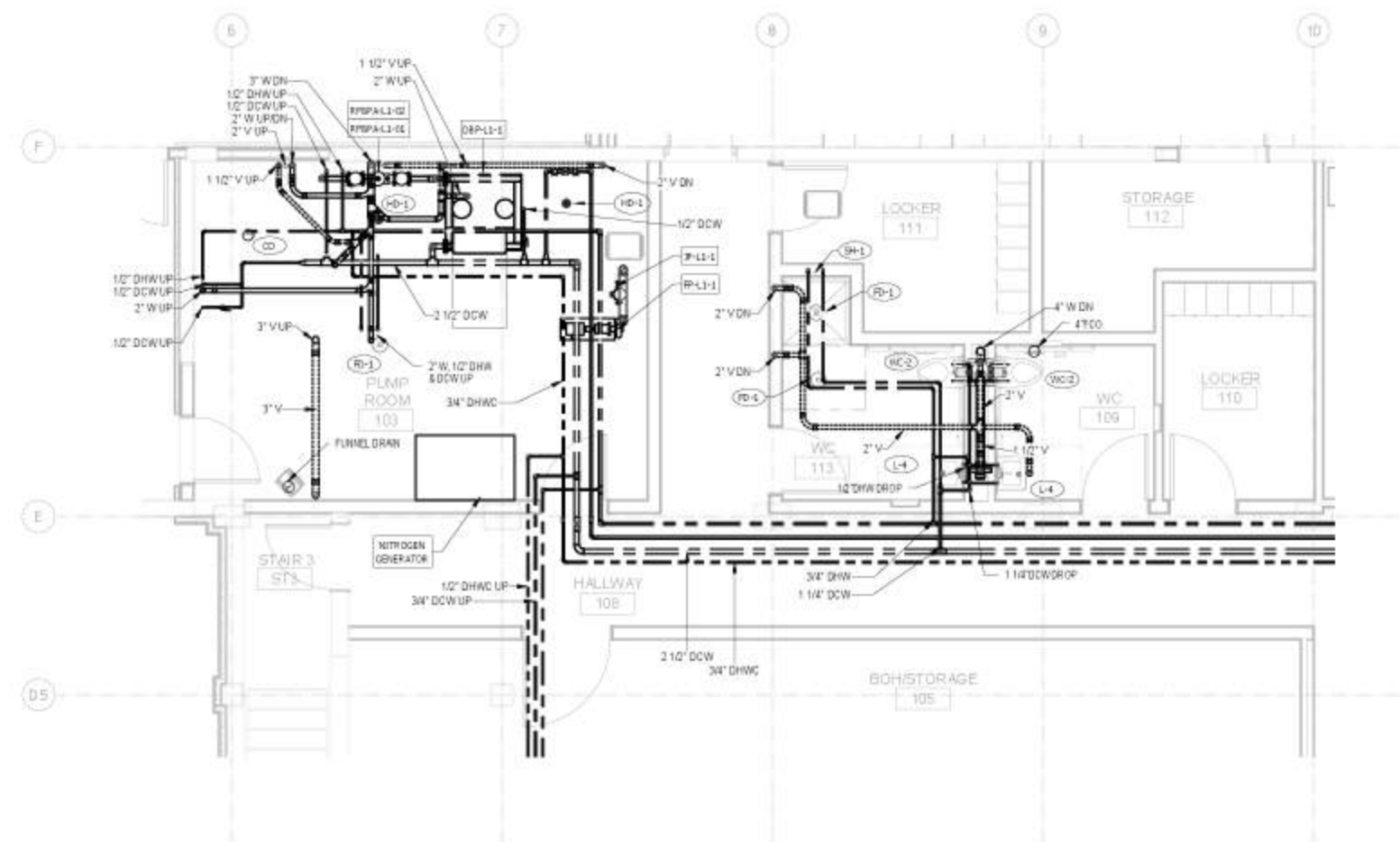
PLUMBING FLOOR
PLAN - LEVEL
ROOF

P205



ENLARGED PLUMB PLAN - MECH ROOM 209A

SCALE: 1/4" = 1'-0"



ENLARGED PLUMB PLAN - PUMP ROOM 103

SCALE: 1/4" = 1'-0"

Printed 02/10/2017 5:57:36 PM

LMN Architecture
Urban Design
Interiors

RUSHING
Engineering - Estimating - Delivery

1725 WESTLAKE AVE N SUITE 300
SEATTLE, WA 98109
P: (206) 285-7100 F: (206) 285-7111



SDD Use Only

SAM ASIAN ART MUSEUM

Asian Art Museum Expansion & Renovation

Visitation Park / 1400 E Prospect / Seattle, WA 98112

Submital

Construction Documents

Revisions
No. Date By Description

Sheet Title

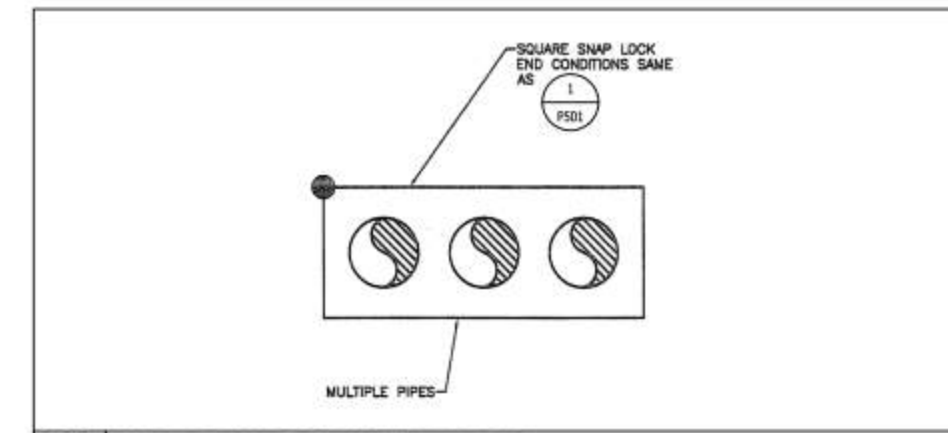
Sheet Number

FOR REFERENCE ONLY

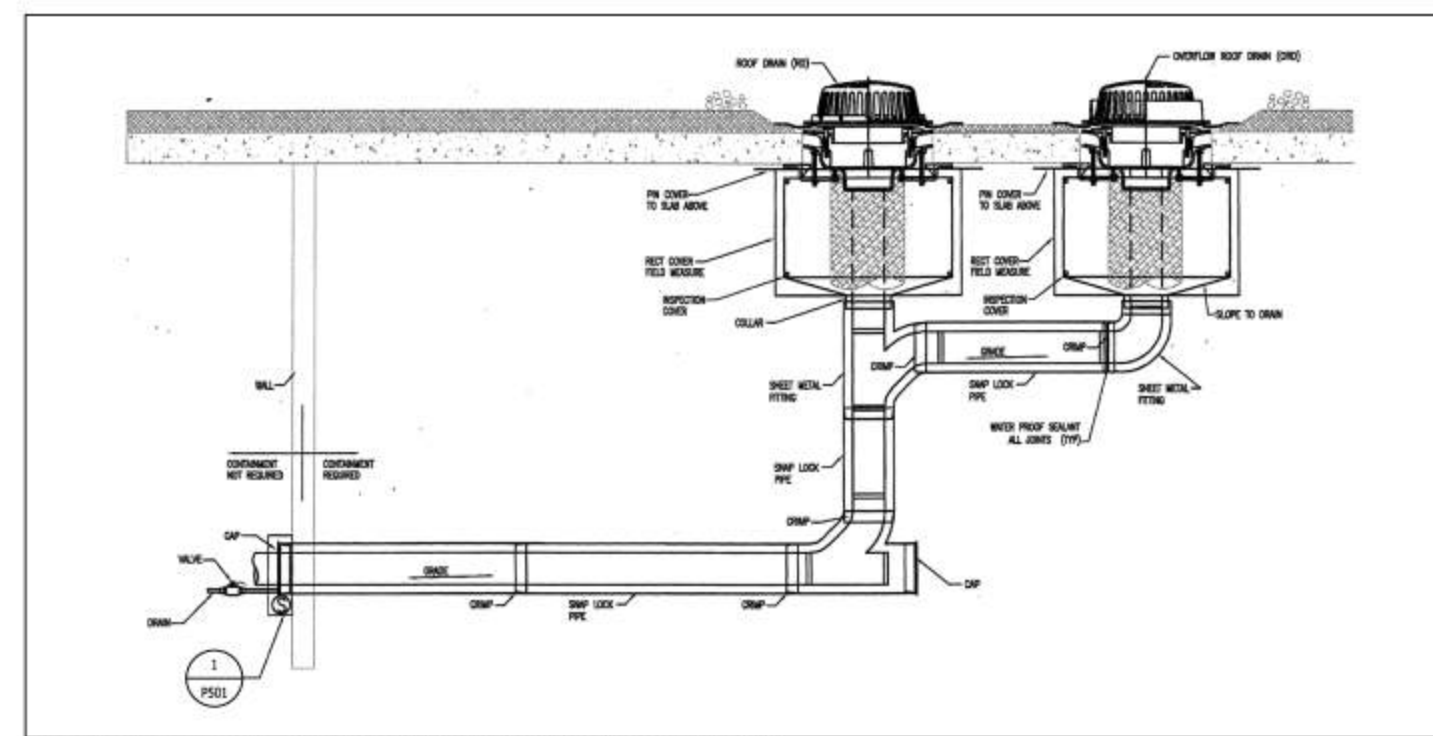
Drawn: Author
Checked: Checker
LMN Proj No: 16028.01
Date: 6/23/17

ENLARGED PLUMBING PLANS

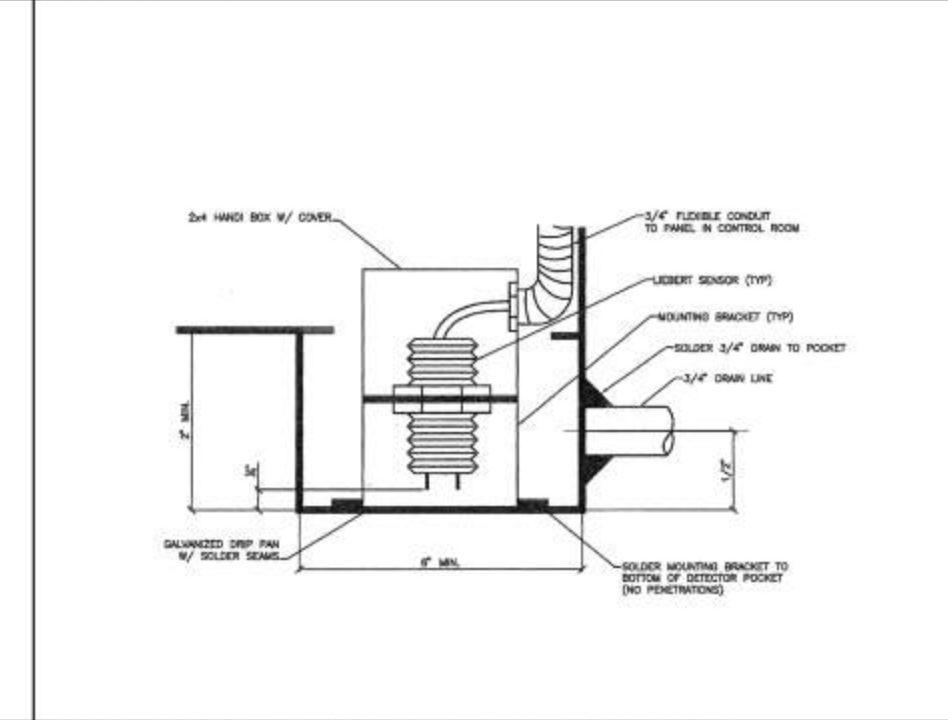
P301



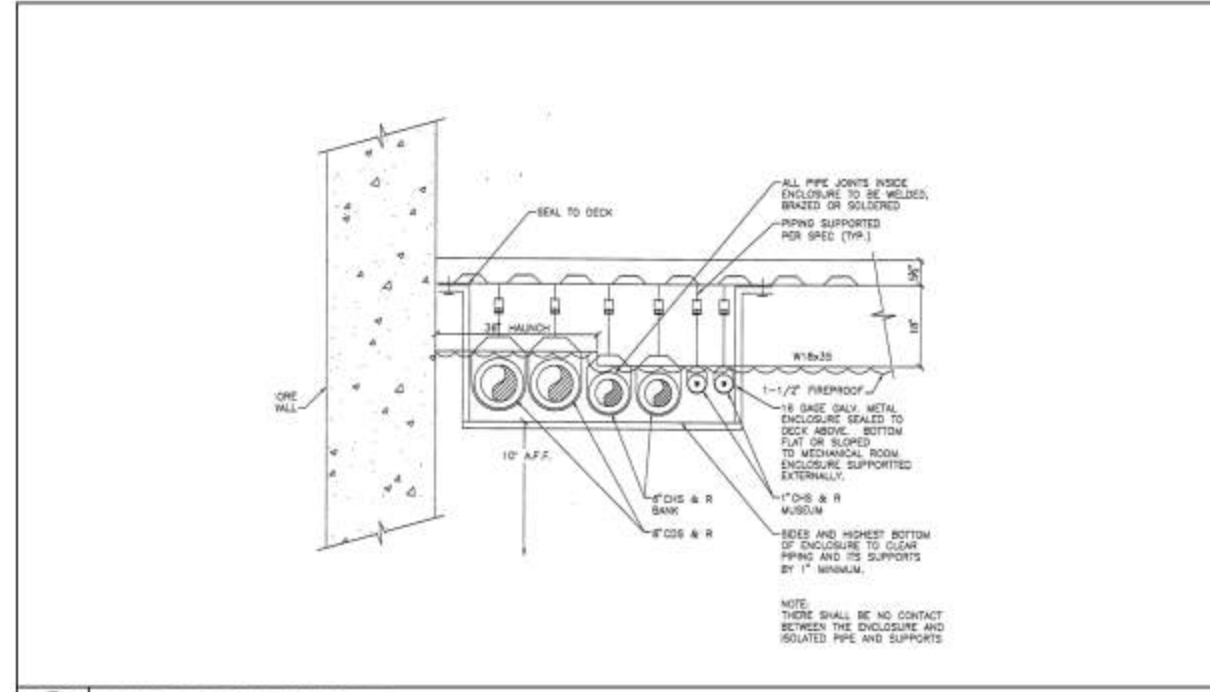
3 MULTIPLE PIPE CONTAINMENT DETAIL
SCALE: NOT TO SCALE



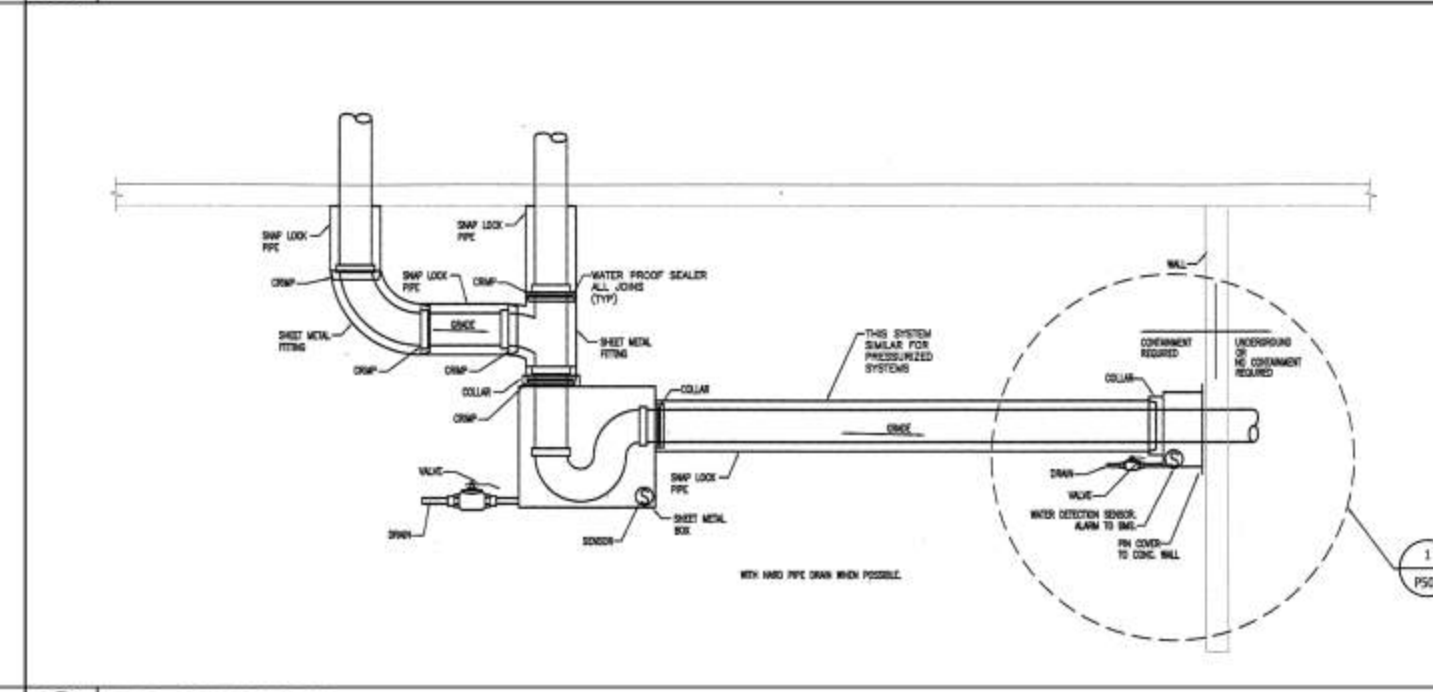
5 ROOF DRAIN CONTAINMENT OVERFLOW DRAIN (ORD) DETAIL
SCALE: NOT TO SCALE



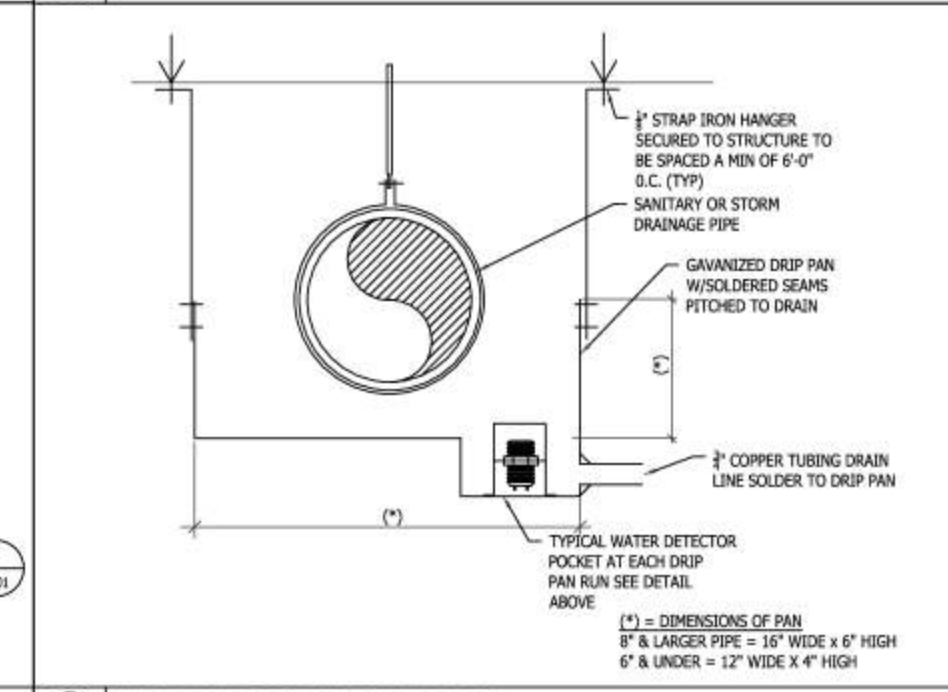
2 EXISTING VENTURI DETAIL NEW INSTALLATION SIMILAR
SCALE: NOT TO SCALE



6 HVAC PIPE CONTAINMENT
SCALE: NOT TO SCALE



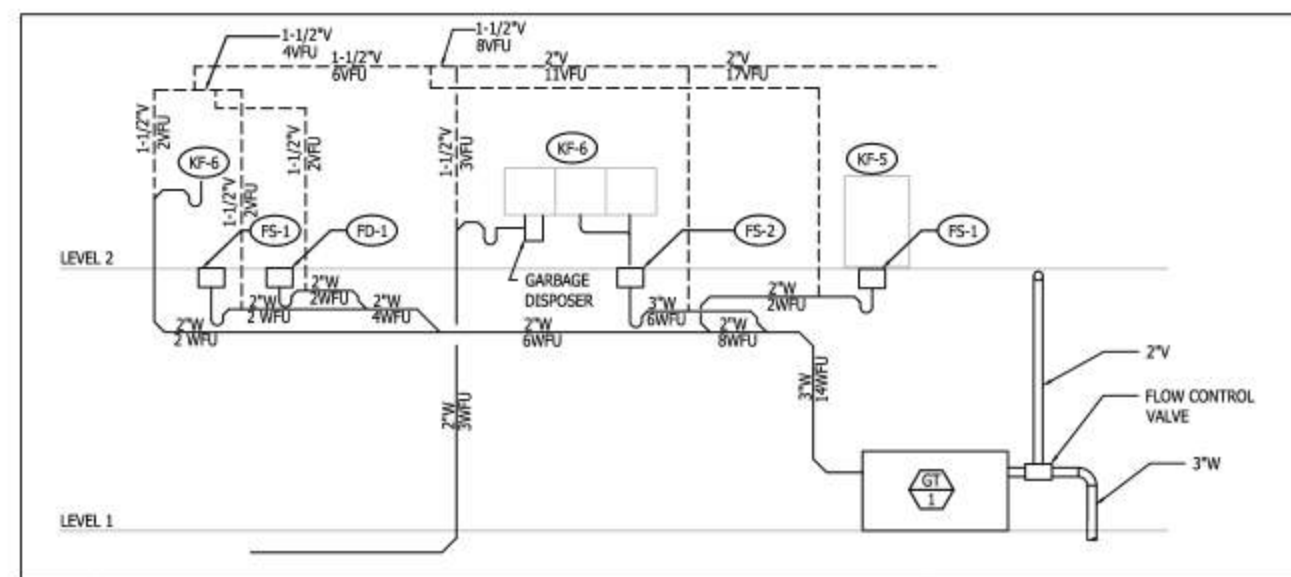
4 TRAP CONTAINMENT
SCALE: NOT TO SCALE



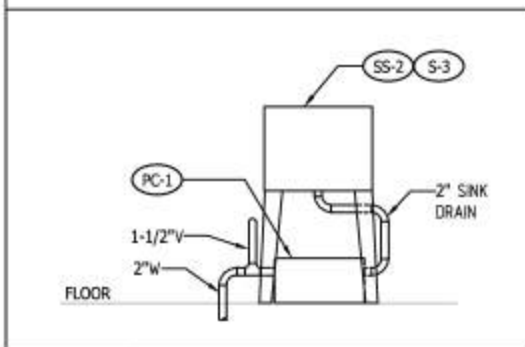
1 WASTE PIPE CONTAINMENT DETAIL
SCALE: NOT TO SCALE

NOTE: THESE DETAILS WERE PROVIDED BY THE SEATTLE ART MUSEUM AS STANDARD DETAILS FROM THE DOWNTOWN SEATTLE ART MUSEUM ADDITION AND RENOVATION PROJECT.

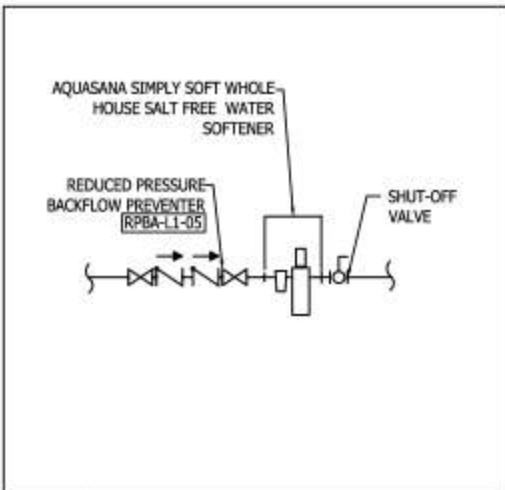
PRINTED: 6/21/2017 3:34:51 PM



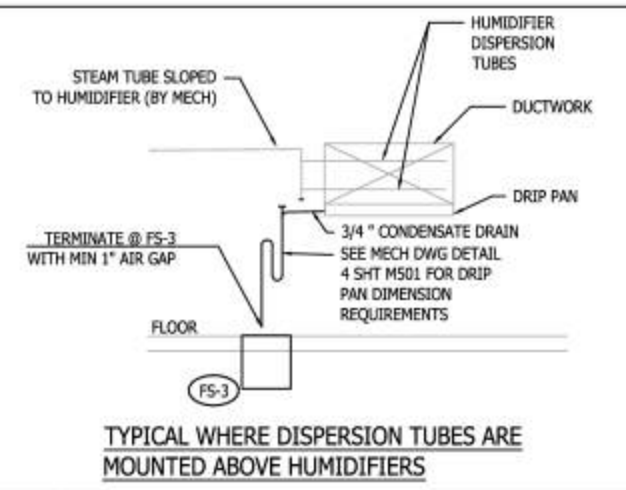
12 GREASE TRAP DETAIL
SCALE: NOT TO SCALE



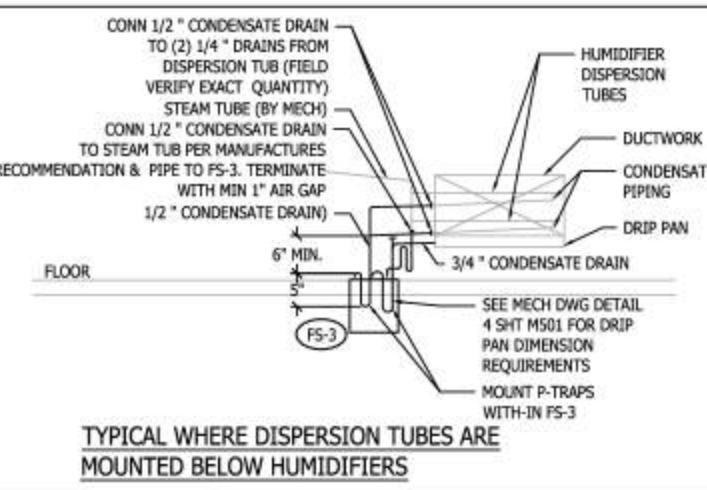
11 SERVICE SINK DETAIL
SCALE: NOT TO SCALE



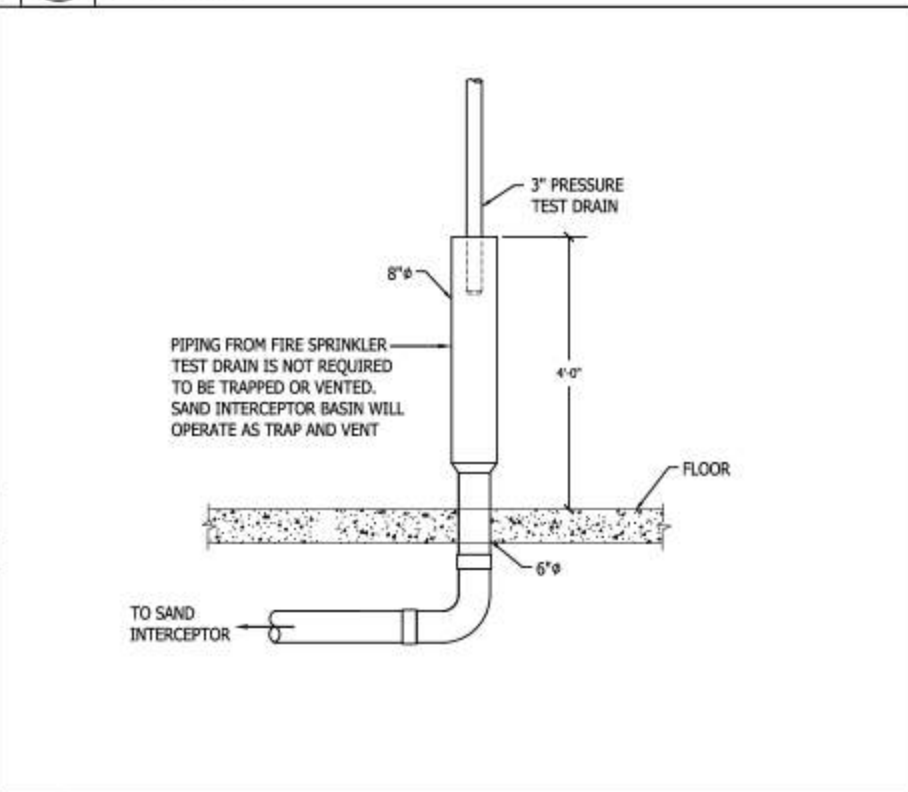
10 WATER SOFTENER DETAIL
SCALE: NOT TO SCALE



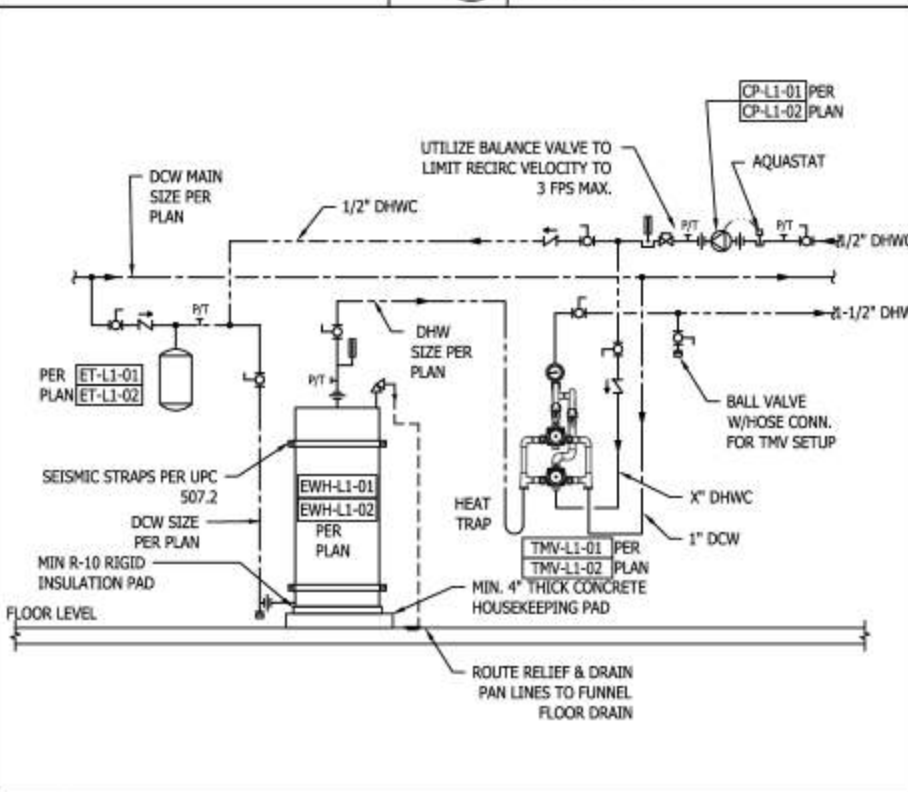
9 DUCT HUMIDIFIER CONDENSATE DRAIN DETAIL
SCALE: NOT TO SCALE



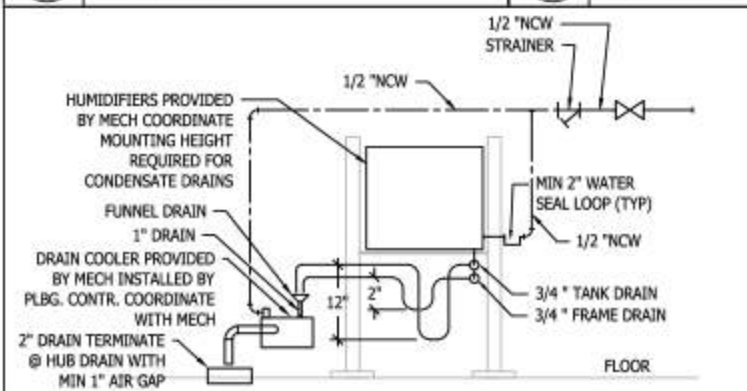
8 HUMIDIFIER DETAIL
SCALE: NOT TO SCALE



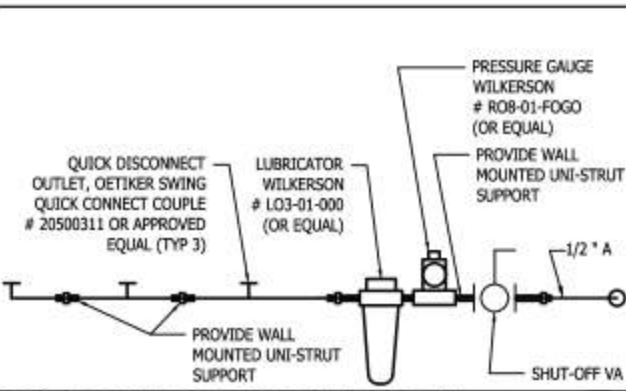
4 FIRE SPRINKLER HUB DRAIN DETAIL
SCALE: NOT TO SCALE



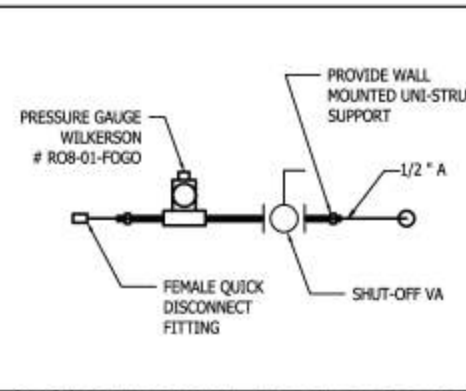
2 WATER HEATER PIPING DIAGRAM
SCALE: NOT TO SCALE



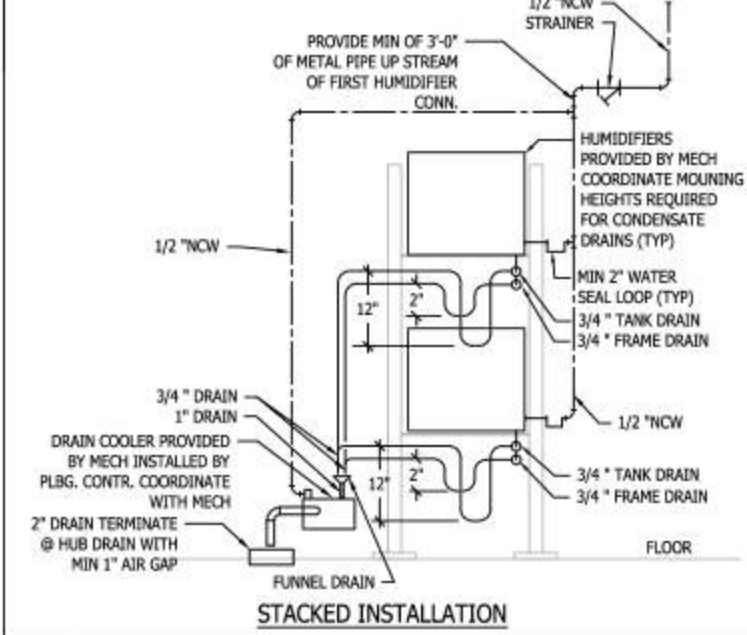
7 COMPRESSED AIR OUTLET DETAIL
SCALE: NOT TO SCALE



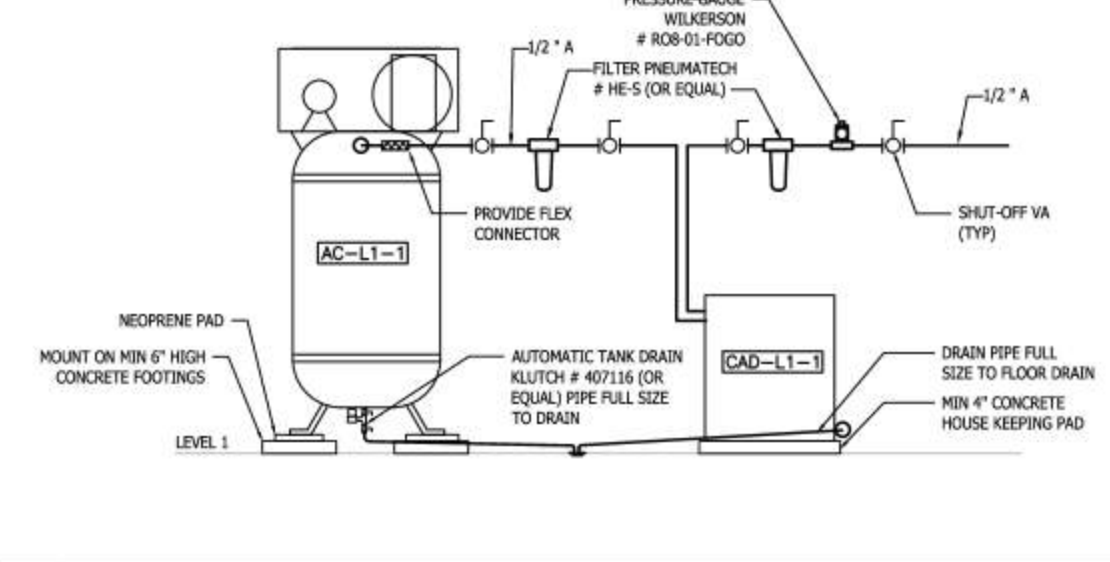
6 COMPRESSED AIR OUTLET DETAIL
SCALE: NOT TO SCALE



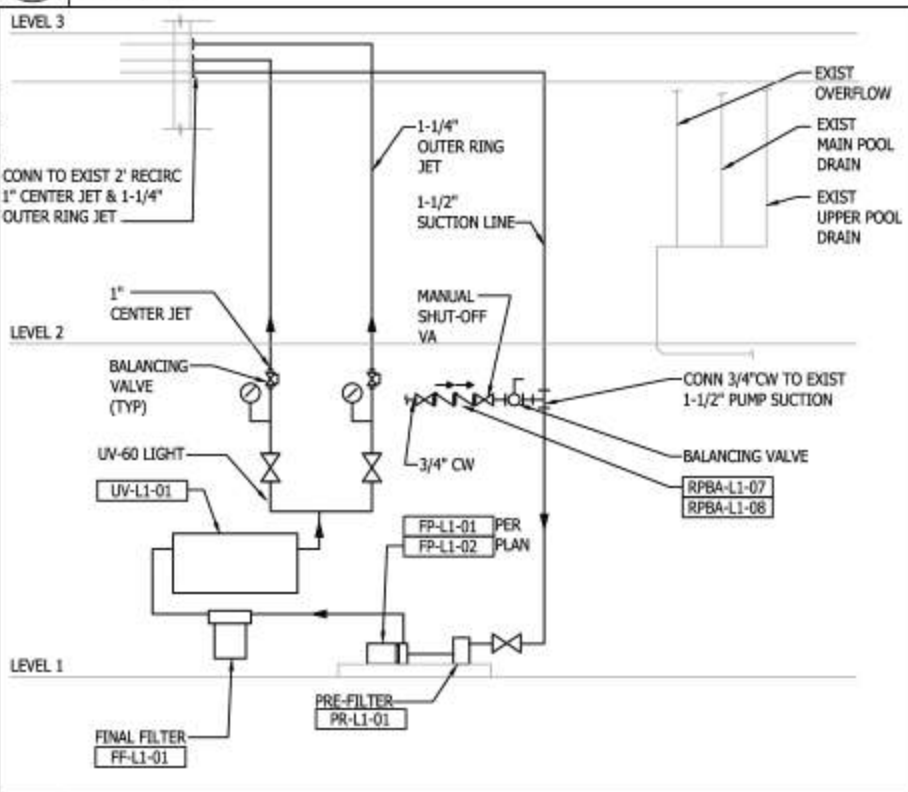
5 AIR COMPRESSOR DETAIL
SCALE: NOT TO SCALE



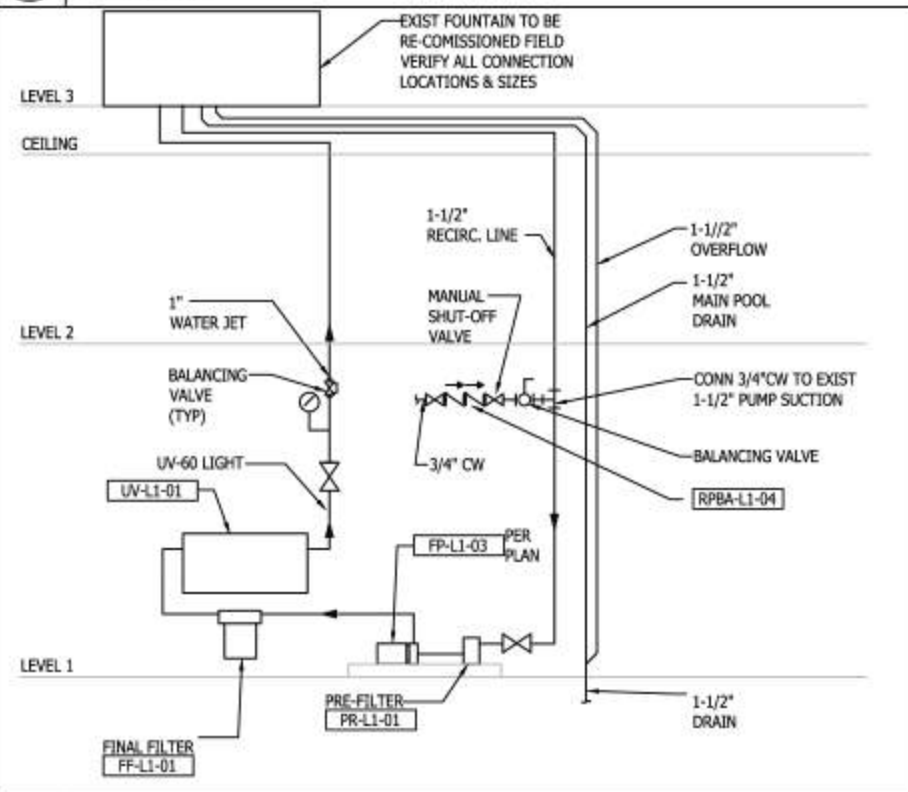
3 EXISTING FOUNTAIN PUMP DETAIL
SCALE: NOT TO SCALE



1 GARDEN COURT FOUNTAIN PUMP DETAIL
SCALE: NOT TO SCALE



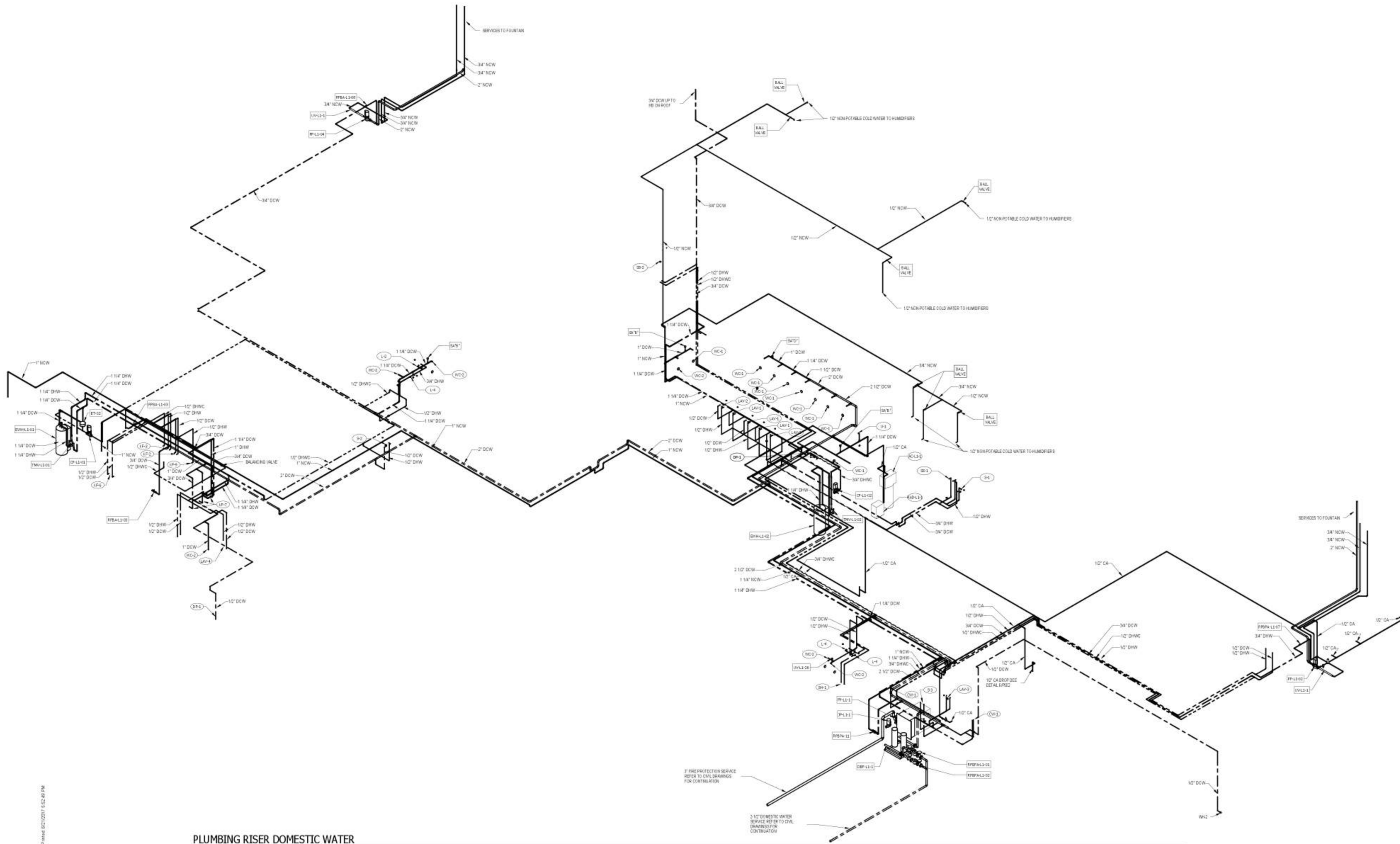
1 GARDEN COURT FOUNTAIN PUMP DETAIL
SCALE: NOT TO SCALE



1 GARDEN COURT FOUNTAIN PUMP DETAIL
SCALE: NOT TO SCALE

NOTE: THESE DETAILS WERE PROVIDED BY THE SEATTLE ART MUSEUM AS STANDARD DETAILS FROM THE DOWNTOWN SEATTLE ART MUSEUM ADDITION AND RENOVATION PROJECT.

PRINTED: 6/21/2017 10:24:09 PM



PLUMBING RISER DOMESTIC WATER
SCALE

Pinned 02/27/2017 5:52:49 PM

LMN Architecture
Urban Design
Interiors

801 Second Avenue, Suite 501
Seattle, Washington 98104
T 206 892 3480
F 206 343 0900
www.lmnarchitects.com

RUSHING
Engineering - Estimators - Delivery

1725 WESTLAKE AVE N SUITE 300
SEATTLE, WA 98109
P. (206) 285-7100 F. (206) 285-7111



SDD Use Only

SAM ASIAN ART MUSEUM

Asian Art Museum Expansion & Renovation
Visitation Park / 1400 E Prospect /
Seattle, WA 98112

Submital

Construction Documents

Revisions	No.	Date	By	Description

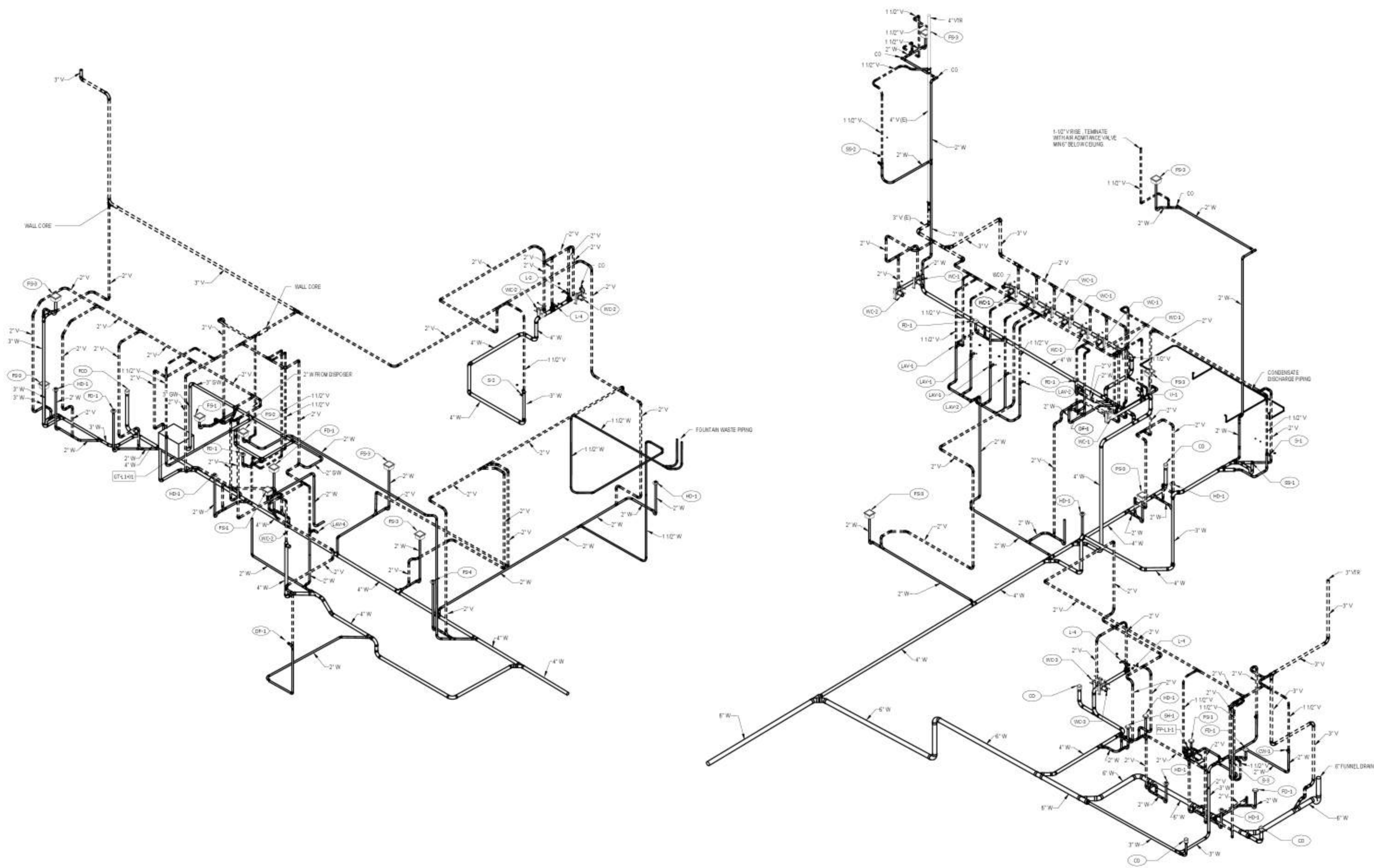
FOR REFERENCE ONLY

Drawn: LMN
Checked: LMN
Date: 6/23/17

Author: 16028.01
Checker: 16028.01
Date: 6/23/17

Sheet Title: **PLUMBING DOMESTIC WATER RISER DIAGRAM**

Sheet Number: **P601**



3D - PLUMBING RISER SANITARY

SCALE

Printed: 6/21/2017 5:52:07 PM

LMN Architecture
Urban Design
Interiors

RUSHING
Engineering - Estimating - Delivery

1725 WESTLAKE AVE N SUITE 300
SEATTLE, WA 98109
P: (206) 285-7100 F: (206) 285-7111



SDD Use Only

SAM ASIAN
ART
MUSEUM

Asian Art Museum Expansion & Renovation
Visitation Park / 1400 E Prospect /
Seattle, WA 98112

Submital

Construction
Documents

Revisions
No. Date By Description

Sheet

Title

Sheet

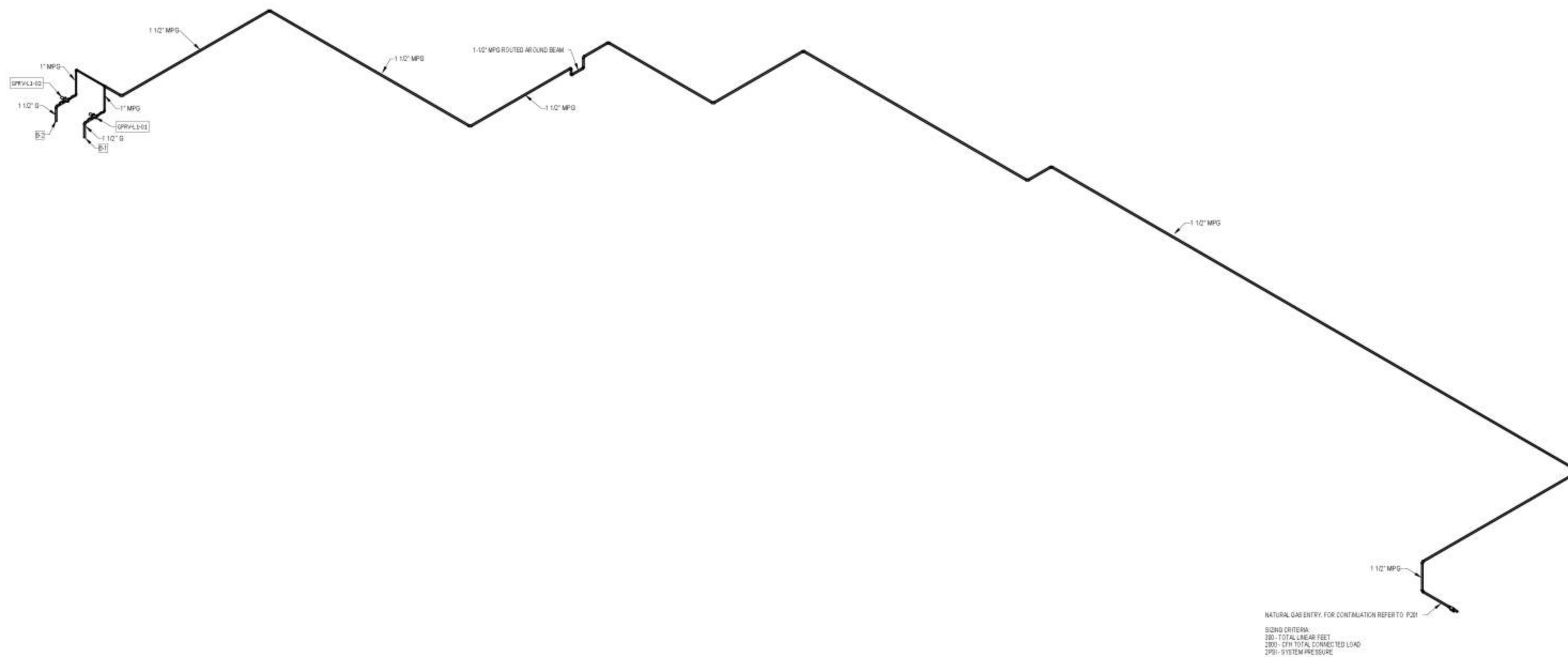
Number

FOR REFERENCE ONLY

Drawn: M
Checked: M
LMN Proj No: 16028.01
Date: 6/23/17

PLUMBING WASTE
AND VENT RISER
DIAGRAM

P602



PLUMBING NATURAL GAS RISER
 SCALE

Printed 6/23/2017 5:52:14 PM

LMN Architecture
 Urban Design
 Interiors

801 Second Avenue, Suite 501
 Seattle, Washington 98104
 T 206 462 3400
 F 206 343 0900
 www.lmarchitects.com

RUSHING
 Engineering - Estimating - Delivery

1725 WESTLAKE AVE N SUITE 300
 SEATTLE, WA 98109
 P. (206) 285-7100 F. (206) 285-7111



SDD Use Only

SAM ASIAN ART MUSEUM

Asian Art Museum Expansion & Renovation
 Volunteer Park / 1400 E. Prospect /
 Seattle, WA 98112

Submital

Construction Documents

Revisions			
No.	Date	By	Description

FOR REFERENCE ONLY

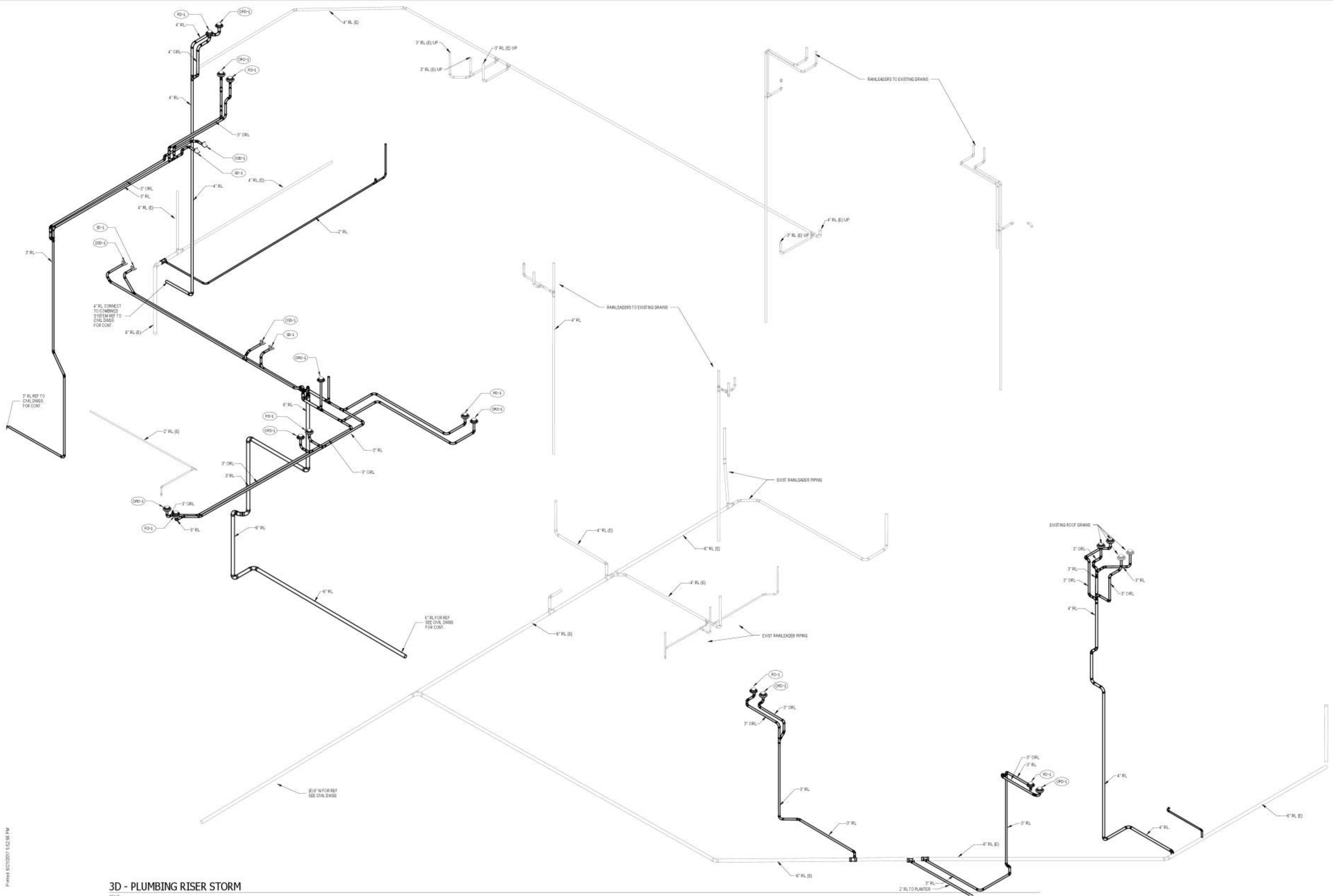
Drawn	Author
Checked	Checker
LMN Proj No	16028 01
Date	6/23/17

Sheet Title

PLUMBING NATURAL GAS RISER DIAGRAM

Sheet Number

P603



3D - PLUMBING RISER STORM

SCALE:

LMN Architecture
Urban Design
Interiors
801 Second Avenue, Suite 501
Seattle, Washington 98104
T 206 882 3480
F 206 343 8988
www.lmnarchitects.com

RUSHING
Engineering - Estimators - Delivery
1725 WESTLAKE AVE N SUITE 300
SEATTLE, WA 98109
P. (206) 285-7100 F. (206) 285-7111



SDD Use Only



Asian Art Museum Expansion & Renovation
Visitation Park / 1400 E Prospect /
Seattle, WA 98112

Submital

Construction Documents

Revisions			
No.	Date	By	Description

FOR REFERENCE ONLY

Drawn: LMN
Checked: LMN
Date: 6/23/17

Author: 16028.01
Checker: 16028.01
Date: 6/23/17

PLUMBING
RAINLEADER
RISER DIAGRAM

Sheet Title: P604
Sheet Number: P604

Lighting Summary LGT-SUM

Project Title: Seattle Asian Art Museum Date: 5/25/2017
Project Location: 400 Riverside Ave N SE, Seattle, WA 98109
Architect: Skidmore, OWINGS & Merrill LLP

Project Description: New Building Addition
Building Additions: Addition of new gallery space, auditorium, and other facilities.

Interior and Exterior Lighting Allowance Method:
Interior Lighting: Max lighting level, 100 fc.
Exterior Lighting: Max lighting level, 10 fc.

Change of Space Use:
Description: Change of space use from gallery to auditorium.

Lighting Summary, cont. LGT-SUM

Interior Lighting System Description:
Description: Interior lighting system for the new building addition.

Interior Lighting Power Allowance Method:
Description: Interior lighting power allowance method.

Interior Lighting Controls:
Description: Interior lighting controls for the new building addition.

Exterior Lighting System Description:
Description: Exterior lighting system for the new building addition.

Exterior Lighting Controls:
Description: Exterior lighting controls for the new building addition.

Interior Lighting - Space-By-Space Method LTG-INT-SPACE

Project Title: Seattle Asian Art Museum Date: 5/25/2017
Project Location: 400 Riverside Ave N SE, Seattle, WA 98109

Maximum Allowed Lighting Wattage:
Table with columns: Location/Area, Space Type, Area, Wattage, etc.

Proposed Lighting Wattage:
Table with columns: Location/Area, Space Type, Area, Wattage, etc.

Proposed Lighting Wattage

Table with columns: Location/Area, Space Type, Area, Wattage, etc.

Lighting, Motor, and Electrical Permit Checklist, Pg. 1 LGT-CHK

Table with columns: Section, Description, Comments, etc.

Lighting, Motor, and Electrical Permit Checklist, Pg. 2 LGT-CHK

Table with columns: Section, Description, Comments, etc.

Lighting, Motor, and Electrical Permit Checklist, Pg. 3 LGT-CHK

Table with columns: Section, Description, Comments, etc.

Lighting, Motor, and Electrical Permit Checklist, Pg. 4 LGT-CHK

Table with columns: Section, Description, Comments, etc.

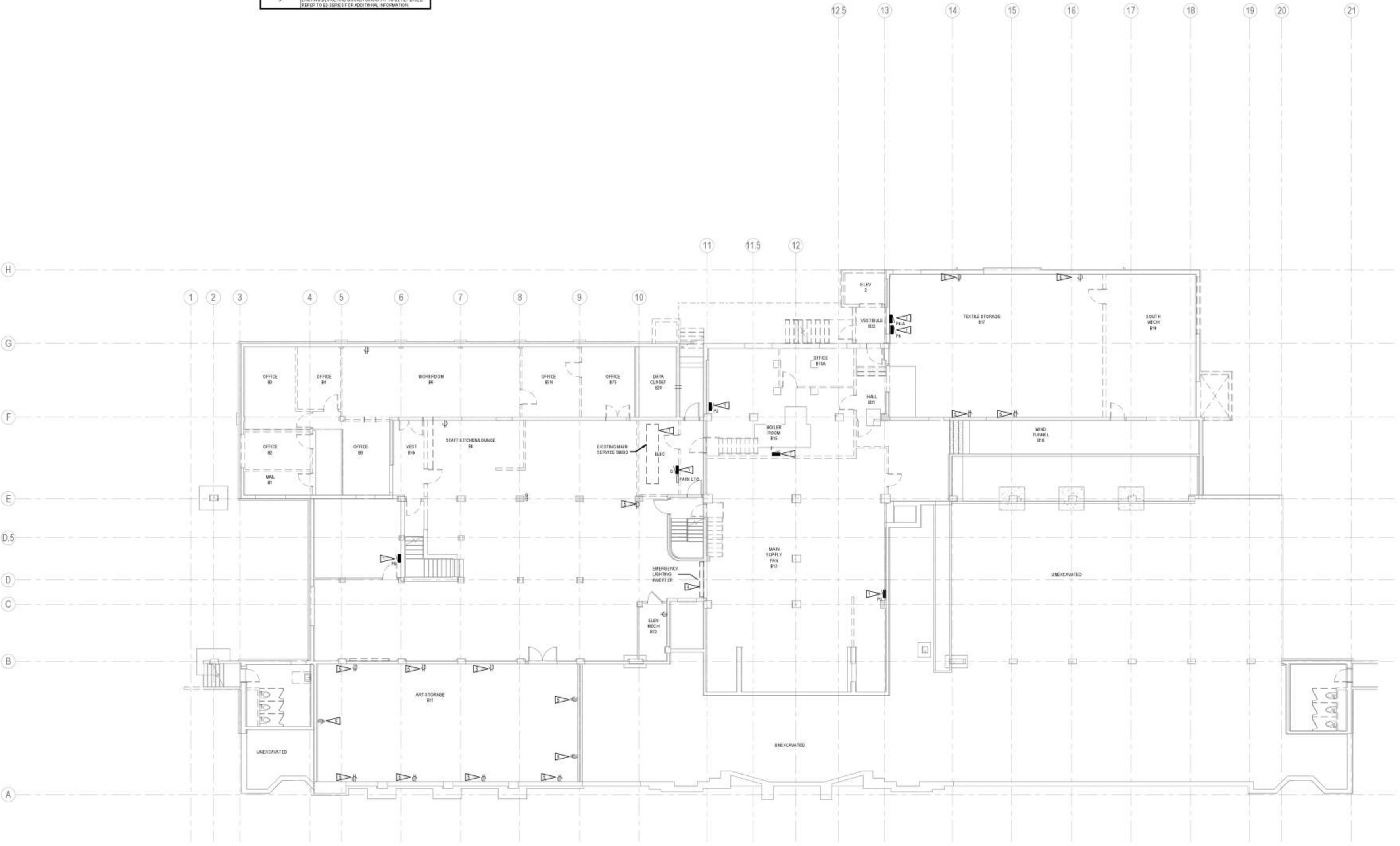
Lighting, Motor, and Electrical Permit Checklist, Pg. 5 LGT-CHK

Table with columns: Section, Description, Comments, etc.

DEMOLITION GENERAL NOTES

1. REFER TO SHEET E0007 OR ADDITIONAL DEMOLITION NOTES.
2. DEMOLISH ALL DEVICES, BRANCH CIRCUITS AND PATHWAY BACK TO SOURCE UNLESS OTHERWISE NOTED.

Flag Notes	
1	DEMOLISH EQUIPMENT AND FEEDER BACK TO SOURCE
4	DEMOLISH EXISTING EMERGENCY LIGHTING FIXTURES AND ALL ASSOCIATED EQUIPMENT BACK TO SERVICE DISCONNECT
5	EXISTING DEVICE AND BRANCH CIRCUITRY TO BE REPLACED. REFER TO E2 SERIES 6 FOR ADDITIONAL INFORMATION.



1 POWER DEMO PLAN - LEVEL 1
E101 18" x 1'-0"

PRINTED 6/22/2017 4:52:31 PM



400 Fairview Avenue N, Suite 620
Seattle, Washington 98109-4902
(206) 467-2555



Asian Art Museum Expansion & Renovation
Volunteer Park / 1400 E Prospect / Seattle, WA

Submitted

Construction Documents

Revisions	
No.	Date

FOR REFERENCE ONLY

Drawn: NH
Checked: DF
LMN Proj No: 16026.01
Date: 6/23/17

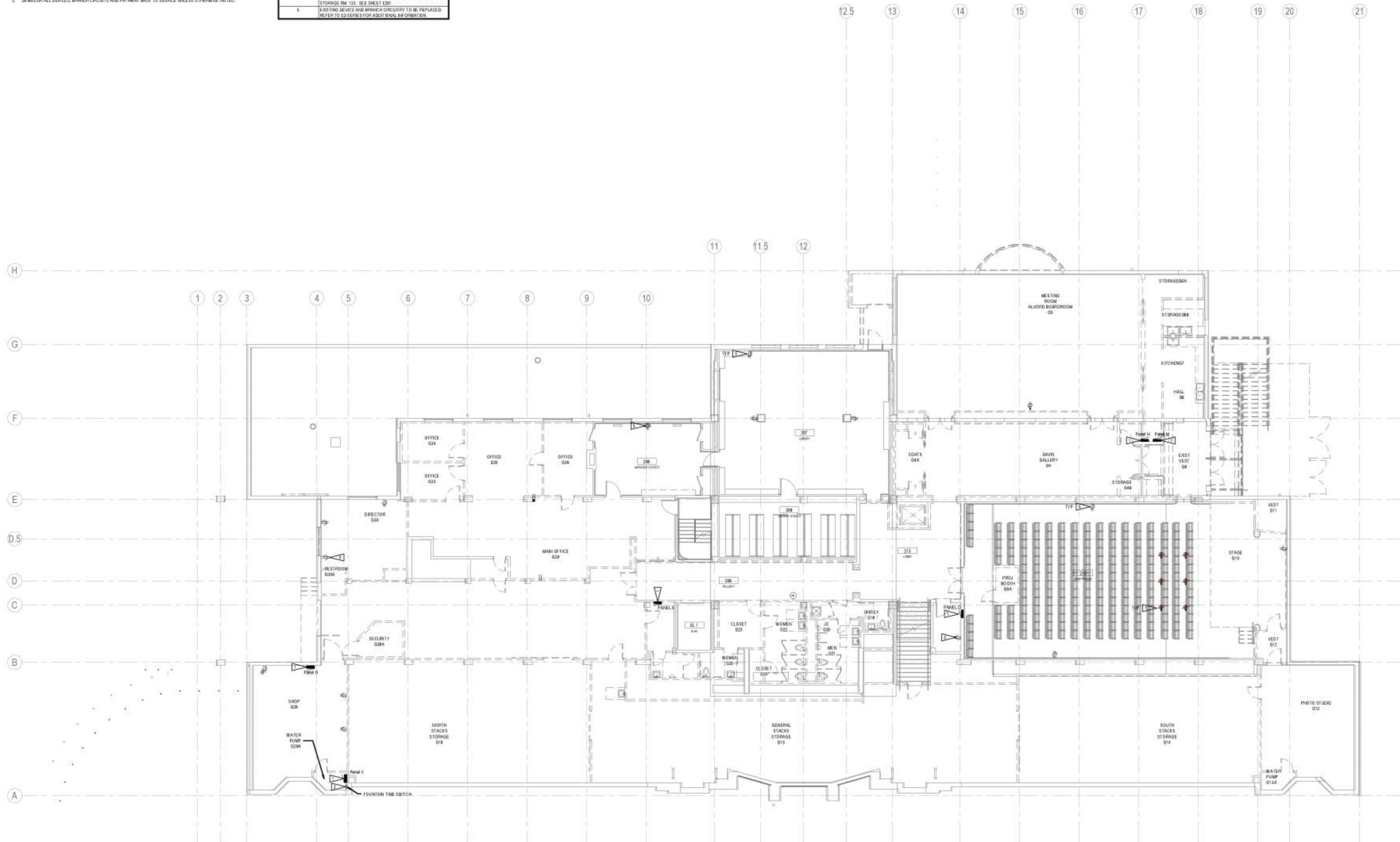
Power Demo Plan - Level 1

E101

DEMOLITION GENERAL NOTES

1. REFER TO SHEET E800 FOR ADDITIONAL DEMOLITION NOTES.
2. DEMOLISH ALL DEVICES, BRANCH CIRCUITS AND FATWEAY BACK TO SOURCE UNLESS OTHERWISE NOTED.

#	Flag Notes
1	DEMOLISH EQUIPMENT AND FEEDER BACK TO SOURCE
2	RELOCATE FOUNTAIN LIGHT AND MECHANICAL TIME SWITCH TO STORAGE RM 132. SEE SHEET E301
3	EXISTING DEVICE AND BRANCH CIRCUITRY TO BE REPLACED. REFER TO E3-DEVS FOR ADDITIONAL INFORMATION.



1 POWER DEMO PLAN - LEVEL 2
E102 1/8" = 1'-0"

PRINTED 6/22/2017 4:32:39 PM



LMN Architecture
Urban Design
Interiors

Stantec

400 Franklin Avenue, Suite 620
Seattle, Washington 98109-4902
(206) 467-0555

SAM ASIAN
ART
MUSEUM

Asian Art Museum Expansion & Renovation
Volunteer Park / 1400 E Prospect /
Seattle, WA

Submitted

Construction
Documents

Revisions

No. Date Description

Sheet

Title

Number

FOR REFERENCE ONLY

Drawn: NH
Checked: DF
LMN Proj No: 16026.01
Date: 6/23/17

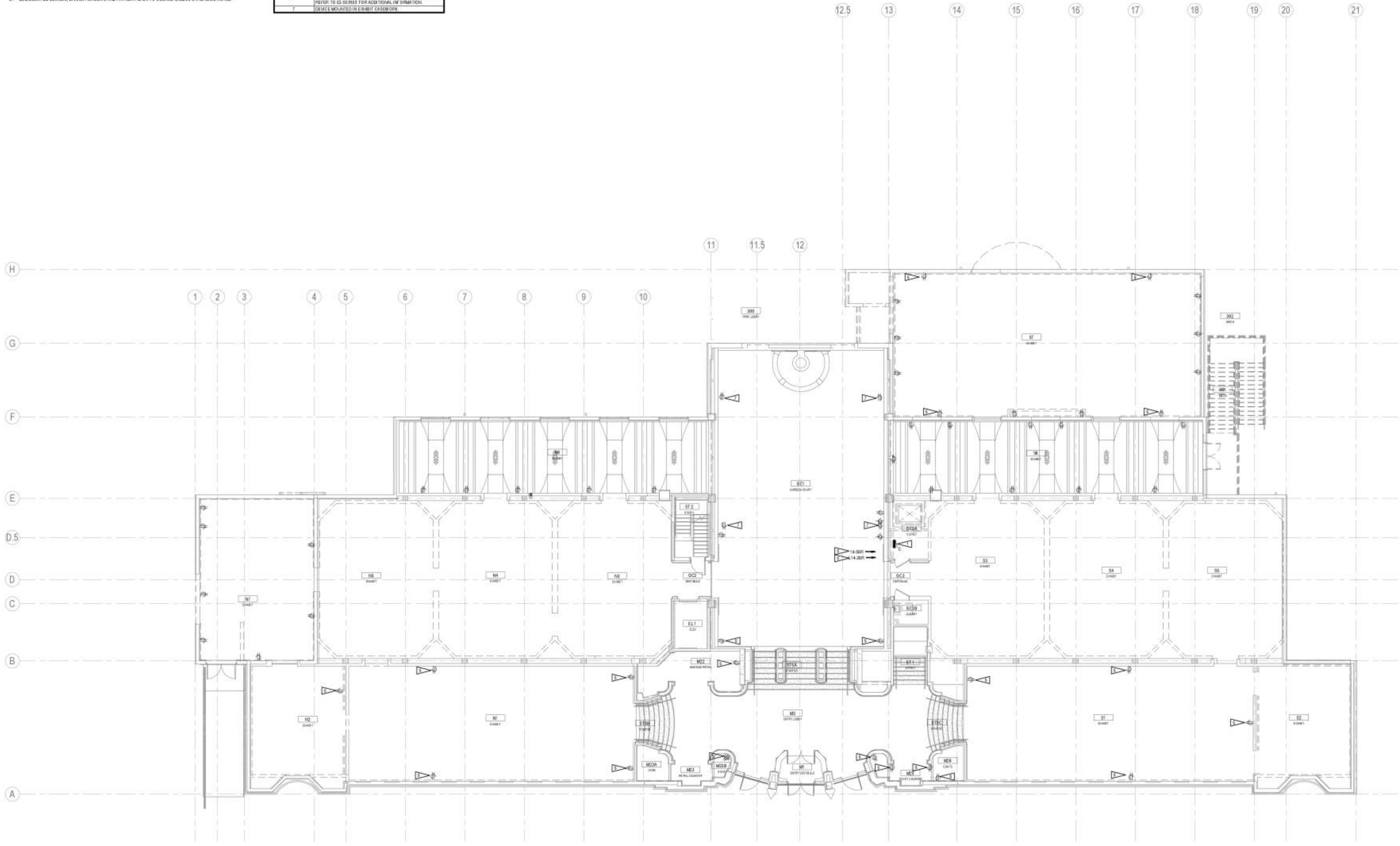
Power Demo Plan -
Level 2

E102

DEMOLITION GENERAL NOTES

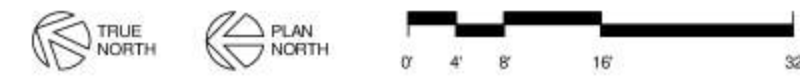
1. REFER TO SHEET E100 FOR ADDITIONAL DEMOLITION NOTES
2. DEMOLISH ALL DEVICES, BRANCH CIRCUITS AND PATHWAY BACK TO SOURCE UNLESS OTHERWISE NOTED.

#	Flag Notes
1	DEMOLISH EQUIPMENT AND FEEDER BACK TO SOURCE
5	EXISTING DEVICES AND BRANCH CIRCUITRY TO BE REPLACED PER IFC TO IS-SERIES FOR ADDITIONAL INFORMATION
7	DEVICE MOUNTED IN EXHIBIT CASEWORK



1 POWER DEMO PLAN - LEVEL 3
E103
1/8" = 1'-0"

PRINTED 6/22/2017 4:35:16 PM



400 Fairview Avenue N Suite 620
Seattle, Washington 98109-4902
(206) 467-2555

801 Second Avenue, Suite 501
Seattle, Washington 98104
T 206 462 3460
F 206 343 9388
www.lmnarch.com

SDCI Use Only



Asian Art Museum Expansion & Renovation
Volunteer Park / 1400 E Prospect / Seattle, WA

Submittal

Construction Documents

Revisions
No. Date Description

FOR REFERENCE ONLY

Drawn: NH
Checked: DF
LMN Proj No: 15026.01
Date: 6/23/17

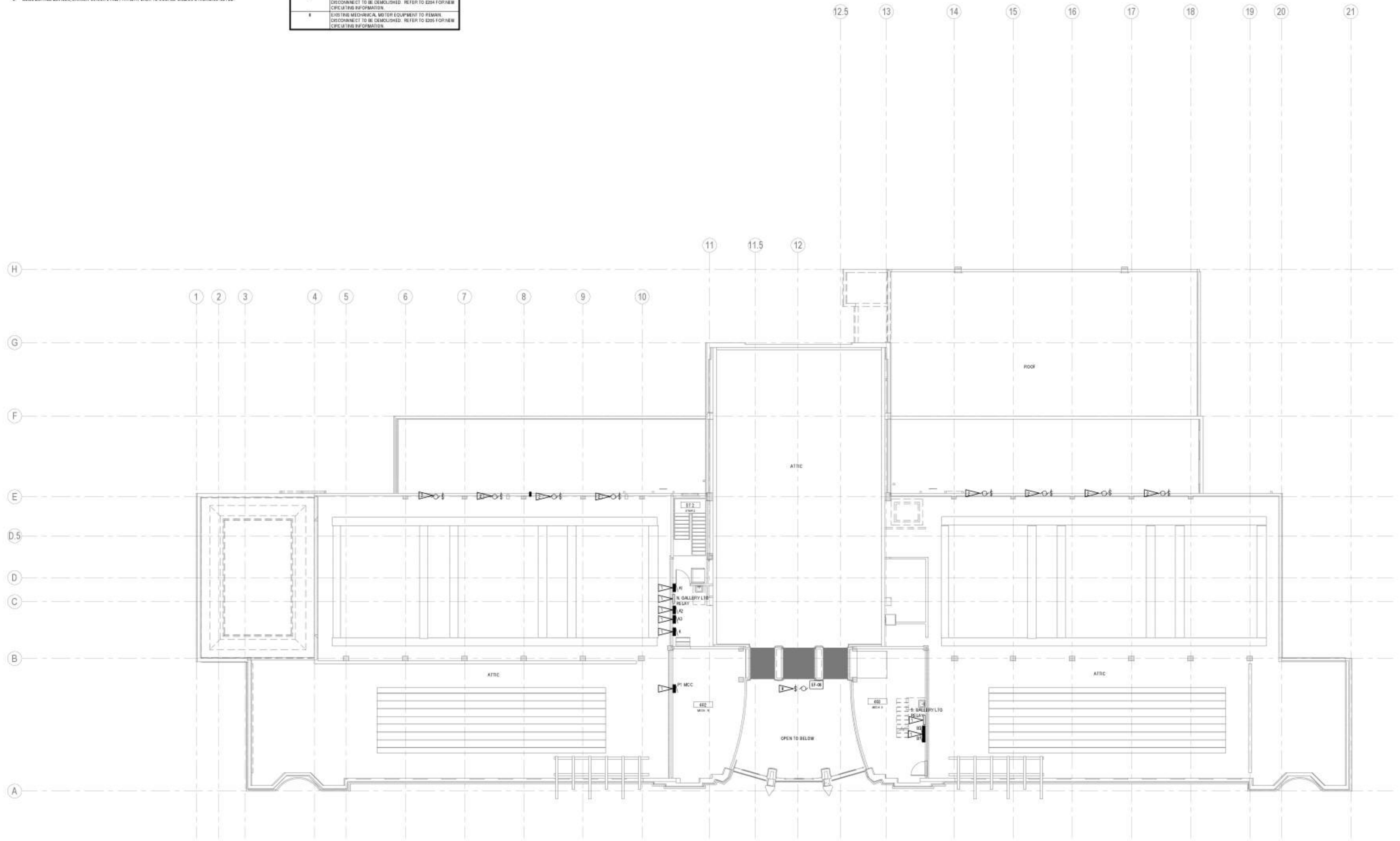
Power Demo Plan - Level 3

E103

DEMOLITION GENERAL NOTES

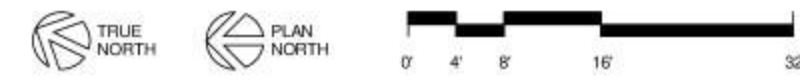
1. REFER TO SHEET E066 FOR ADDITIONAL DEMOLITION NOTES.
2. DEMO USUAL DEVICES, BRANCH CIRCUIT AND PATHWAY BACK TO SOURCE UNLESS OTHERWISE NOTED.

#	Flag Notes
1	DEMOLISH EQUIPMENT AND FEEDER BACK TO SOURCE.
2	EXISTING MECHANICAL MOTOR EQUIPMENT TO REMAIN. DISCONNECT TO BE DEMOLISHED. REFER TO SDS FOR NEW CIRCUITING INFORMATION.
3	EXISTING MECHANICAL MOTOR EQUIPMENT TO REMAIN. DISCONNECT TO BE DEMOLISHED. REFER TO SDS FOR NEW CIRCUITING INFORMATION.



1 Level 4 Attic Power Demo
E104 1/8" = 1'-0"

PRINTED 6/22/2017 4:30:31 PM



LMN Architecture
Urban Design
Interiors

Stantec

400 Fairview Avenue N Suite 620
Seattle, Washington 98109-4902
(206) 467-0555

SAM ASIAN
ART
MUSEUM

Asian Art Museum Expansion & Renovation
Volunteer Park / 1400 E Prospect /
Seattle, WA

Submitted

Construction
Documents

Revisions

No. Date Description

Sheet

Title

Power Demo Plan -
Level 4 Attic

Sheet

Number

E104

FOR REFERENCE ONLY

Drawn: NH
Checked: DF
LMN Proj No: 16026.01
Date: 6/23/17

801 Second Avenue, Suite 501
Seattle, Washington 98104
T 206 462 3460
F 206 343 9388
www.lmnarch.com

POWER GENERAL NOTES

1. REFER TO MECHANICAL DRAWINGS AND SPECIFICATIONS FOR ELECTRICAL REQUIREMENTS AND LOCATION FOR ALL MECHANICAL EQUIPMENT.
2. REFER TO SHEET E201 SCHEDULES FOR ADDITIONAL BRANCH CIRCUIT INFORMATION.
3. REFER TO SHEET E202 FOR AIR UNDERPANEL/CONTROL ROOMING PLAN.

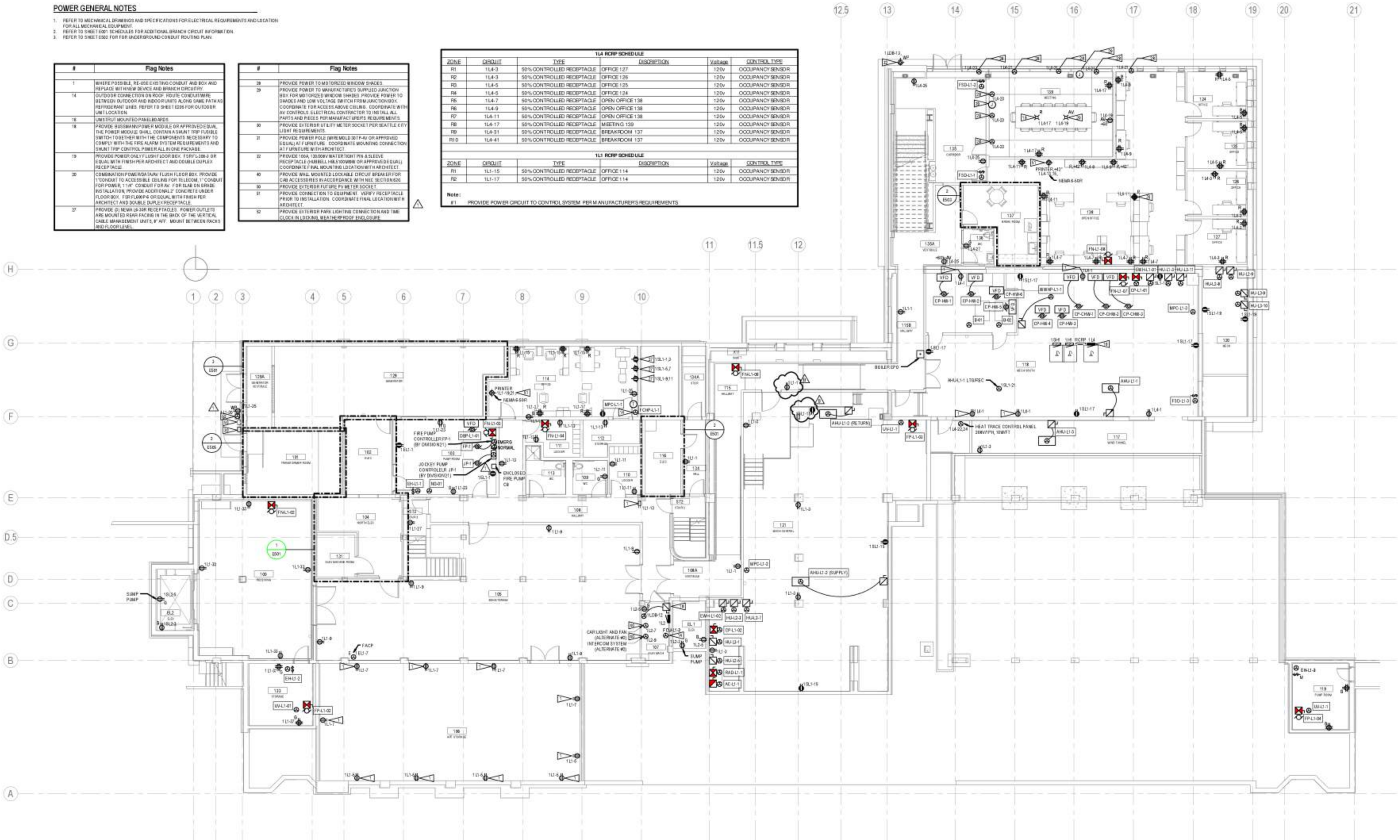
#	Flag Notes
1	WHERE POSSIBLE, RE-USE EXISTING CONDUIT AND BOX AND REPLACE WITH NEW DEVICE AND BRANCH CIRCUITRY.
14	OUTDOOR CONNECTION ON ROOF. ROUTE CONDUIT/WIRE BETWEEN OUTDOOR AND INDOOR PLUMB ALONG SAME PATH AS REFRIGERANT LINES. REFER TO SHEET E204 FOR OUTDOOR UNIT LOCATION.
16	LIMIT MOUNTED PANEL BOARD.
18	PROVIDE BUSBARRIER POWER MODULE OR APPROVED EQUAL. THE POWER MODULE SHALL CONTAIN A SHUNT TRIP FUSIBLE SWITCH TOGETHER WITH THE COMPONENTS NECESSARY TO COMPLY WITH THE FIRE ALARM SYSTEM REQUIREMENTS AND SHUNT TRIP CONTROL POWER ALL IN ONE PACKAGE.
19	PROVIDE POWER ONLY LIGHT LOOP BOX. 1 SPF L200-2 OR EQUAL WITH FINISH PER ARCHITECT AND DOUBLE DUPLEX RECEPTACLE.
20	COMBINATION POWER/DATA/AV/FLUSH FLOOR BOX. PROVIDE 1" CONDUIT TO ACCESSIBLE CEILING FOR TELECOM. 1" CONDUIT FOR POWER. 1/2" CONDUIT FOR AV. FOR ELAB ON BRIDGE INSTALLATION, PROVIDE ADDITIONAL CONCRETE UNDER FLOOR BOX. FOR FLUMPS OR EQUAL, WITH FINISH PER ARCHITECT AND DOUBLE DUPLEX RECEPTACLE.
27	PROVIDE (2) NEW 1/2-3/4 RECEPTABLE. POWER OUTLETS ARE MOUNTED REAR FACING IN THE BACK OF THE VERTICAL CABLE MANAGEMENT UNITS, P. AV. MOUNT BETWEEN FACES AND FLOOR LEVEL.

#	Flag Notes
28	PROVIDE POWER TO MOTORISED WINDOW SHADES.
29	PROVIDE POWER TO MANUFACTURER SUPPLIED JUNCTION BOX FOR MOTORISED WINDOW SHADES. PROVIDE POWER TO SHADES AND LOW VOLTAGE SWITCH FROM JUNCTION BOX. COORDINATE FIRE RISE ABOVE CEILING. COORDINATE WITH AV CONTROLS. ELECTRICAL CONTRACTOR TO INSTALL ALL PARTS AND PHASES PER MANUFACTURER'S REQUIREMENTS.
30	PROVIDE EXTERIOR UTILITY METER SOCKET PER SEATTLE CITY LIGHT REQUIREMENTS.
32	PROVIDE POWER POLE (W/REAR W/UT P-4V OR APPROVED EQUAL) AT FIRE MAINLINE. COORDINATE MOUNTING CONNECTION AT FINISH WITH ARCHITECT.
40	PROVIDE 100A, 2000VRY WATER TIGHT PIN & SLEEVE RECEPTACLE (HARNESS, H&L 300MM OR APPROVED EQUAL) COORDINATE FINAL MOUNTING LOCATION WITH ARCHITECT.
50	PROVIDE WALL MOUNTED LOCKABLE CIRCUIT BREAKER FOR CAB ACCESSORIES IN ACCORDANCE WITH NEC SECTION 400.
51	PROVIDE EXTERIOR FUTURE PULL TAP SOCKET.
52	PROVIDE CONNECTION TO EQUIPMENT VERIFY RECEPTACLE PRIOR TO INSTALLATION. COORDINATE FINAL LOCATION WITH ARCHITECT.
53	PROVIDE EXTERIOR PARK LIGHT FIX CONNECTION AND TIME CLOCK IN LOCKING WEATHER PROOF ENCLOSURE.

ZONE	CIRCUIT	TYPE	DESCRIPTION	Voltage	CONTROL TYPE
R1	11A-3	50% CONTROLLED RECEPTACLE	OFFICE 127	120v	OCCUPANCY SENSOR
R2	11A-3	50% CONTROLLED RECEPTACLE	OFFICE 126	120v	OCCUPANCY SENSOR
R3	11A-3	50% CONTROLLED RECEPTACLE	OFFICE 125	120v	OCCUPANCY SENSOR
R4	11A-5	50% CONTROLLED RECEPTACLE	OFFICE 124	120v	OCCUPANCY SENSOR
R5	11A-7	50% CONTROLLED RECEPTACLE	OPEN OFFICE 136	120v	OCCUPANCY SENSOR
R6	11A-9	50% CONTROLLED RECEPTACLE	OPEN OFFICE 138	120v	OCCUPANCY SENSOR
R7	11A-11	50% CONTROLLED RECEPTACLE	OPEN OFFICE 139	120v	OCCUPANCY SENSOR
R8	11A-17	50% CONTROLLED RECEPTACLE	MEETING 139	120v	OCCUPANCY SENSOR
R9	11A-31	50% CONTROLLED RECEPTACLE	BREAKROOM 137	120v	OCCUPANCY SENSOR
R10	11A-41	50% CONTROLLED RECEPTACLE	BREAKROOM 137	120v	OCCUPANCY SENSOR

ZONE	CIRCUIT	TYPE	DESCRIPTION	Voltage	CONTROL TYPE
R1	11L-15	50% CONTROLLED RECEPTACLE	OFFICE 114	120v	OCCUPANCY SENSOR
R2	11L-17	50% CONTROLLED RECEPTACLE	OFFICE 114	120v	OCCUPANCY SENSOR

Note:
#1 PROVIDE POWER CIRCUIT TO CONTROL SYSTEM PER MANUFACTURER'S REQUIREMENTS.



1 POWER FLOOR PLAN - LEVEL 1
E201 18' x 11'



LMN Architecture
Urban Design
Interiors

Stantec
400 Franklin Avenue N Suite 620
Seattle, Washington 98109-4902
(206) 467-0555

Professional Engineer
3411
REGISTRATION NO. 3411

SDCI Use Only

SAM ASIAN ART MUSEUM

Asian Art Museum Expansion & Renovation
Volunteer Park / 1400 E Prospect /
Seattle, WA

Construction Documents

Submitted

Revisions:
No. Date Description
1 7/12/17 Addendum 1
2 9/1/17 Permit Corrections 1

Sheet Title: Power Floor Plan - Level 1
Sheet Number: E201

FOR REFERENCE ONLY

Drawn: NH
Checked: DF
LMN Proj No: 16026.01
Date: 6/23/17

32

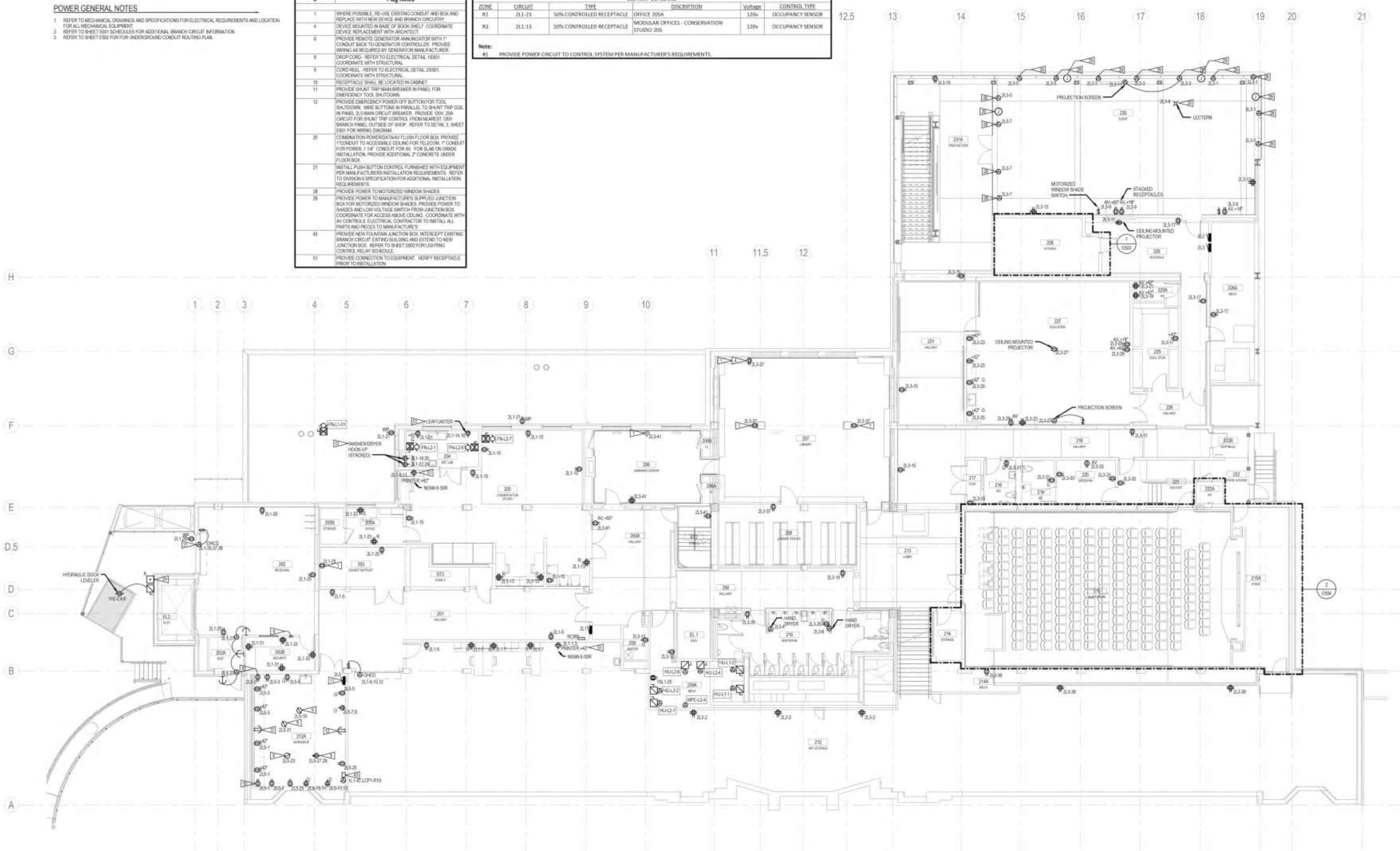
POWER GENERAL NOTES

- REFER TO MECHANICAL DRAWINGS AND SPECIFICATIONS FOR ELECTRICAL REQUIREMENTS AND LOCATION FOR ALL MECHANICAL EQUIPMENT
- REFER TO SHEET E201 SCHEDULES FOR ADDITIONAL BRANCH CIRCUIT INFORMATION
- REFER TO SHEET E202 FOR UNDERGROUND CONDUIT ROUTING PLAN

#	Flag Notes
1	WHERE POSSIBLE, RE-USE EXISTING CONDUIT AND BOX AND REPLACE WITH NEW DEVICE AND BRANCH CIRCUITRY
4	DEVICE LOCATED IN BASE OF BOOK SHELF - COORDINATE DEVICE REPLACEMENT WITH ARCHITECT
6	PROVIDE REMOTE GENERATOR ANNUNCIATOR WITH 1" CONDUIT BACK TO GENERATOR CONTROLLER. PROVIDE WIRING AS REQUIRED BY GENERATOR MANUFACTURER
8	DROP COORD - REFER TO ELECTRICAL DETAIL 1E601. COORDINATE WITH STRUCTURAL
9	CORD REEL - REFER TO ELECTRICAL DETAIL 1E601. COORDINATE WITH STRUCTURAL
10	RECEPTACLE SHALL BE LOCATED IN CABINET
11	PROVIDE SHUNT TRIP MAIN BREAKER IN PANEL FOR EMERGENCY TOOL SHUTDOWN
12	PROVIDE EMERGENCY POWER OFF BUTTON FOR TOOL SHUTDOWN. WIRE BUTTONS IN PARALLEL TO SHUNT TRIP COIL IN PANEL. 2.5 AMP CIRCUIT BREAKER. PROVIDE 100V 20A CIRCUIT FOR SHUNT TRIP CONTROL FROM NEAREST 500V BRANCH PANEL OUTSIDE OF SHOP. REFER TO DETAIL 3, SHEET E201 FOR WIRING DIAGRAM
20	COMBINATION POWER/DATA/AV FLOOR BOX. PROVIDE 1" CONDUIT TO ACCESSIBLE CEILING FOR TELECOM. 1" CONDUIT FOR POWER. 1.5" CONDUIT FOR AV. FOR SLAB ON GRADE INSTALLATION, PROVIDE ADDITIONAL 2" CONCRETE UNDER FLOOR BOX
21	INSTALL PUSH BUTTON CONTROL FURNISHED WITH EQUIPMENT PER MANUFACTURER'S INSTALLATION REQUIREMENTS. REFER TO DIVISION 8 SPECIFICATION FOR ADDITIONAL INSTALLATION REQUIREMENTS
26	PROVIDE POWER TO MOTORIZED WINDOW SHADES
29	PROVIDE POWER TO MANUFACTURER SUPPLIED JUNCTION BOX FOR MOTORIZED WINDOW SHADES. PROVIDE POWER TO SHADES AND LOW VOLTAGE SWITCH FROM JUNCTION BOX. COORDINATE FOR ACCESS ABOVE CEILING. COORDINATE WITH AV CONTRACTOR. ELECTRICAL CONTRACTOR TO INSTALL ALL PARTS AND PIPES TO MANUFACTURER
43	PROVIDE NEW FOUNTAIN JUNCTION BOX. INTERCEPT EXISTING BRANCH CIRCUIT EXITING BUILDING AND EXTEND TO NEW JUNCTION BOX. REFER TO SHEET E200 FOR LIGHTING CONTROL RELAY SCHEDULE
51	PROVIDE CONNECTION TO EQUIPMENT. VERIFY RECEPTACLE PRIOR TO INSTALLATION

21.1 RCRP SCHEDULE					
ZONE	CIRCUIT	TYPE	DESCRIPTION	Voltage	CONTROL TYPE
R1	21.1-23	50% CONTROLLED RECEPTACLE	OFFICE 205A	120v	OCCUPANCY SENSOR
R2	21.1-13	50% CONTROLLED RECEPTACLE	MODULAR OFFICES - CONSERVATION STUDIO 205	120v	OCCUPANCY SENSOR

Note:
#1 PROVIDE POWER CIRCUIT TO CONTROL SYSTEM PER MANUFACTURER'S REQUIREMENTS.



1 POWER FLOOR PLAN - LEVEL 2
E202
1/8" = 1'-0"

P:\Projects\61220117\4-04-21\PM



SDCI Use Only



Asian Art Museum Expansion & Renovation
Volunteer Park / 1400 E Prospect / Seattle, WA

Submit

Revisions
No. Date Description

Construction Documents

FOR REFERENCE ONLY

Drawn: MH
Checked: GF
LMN Proj No: 10228.01
Date: 6/23/17

Power Floor Plan - Level 2

E202

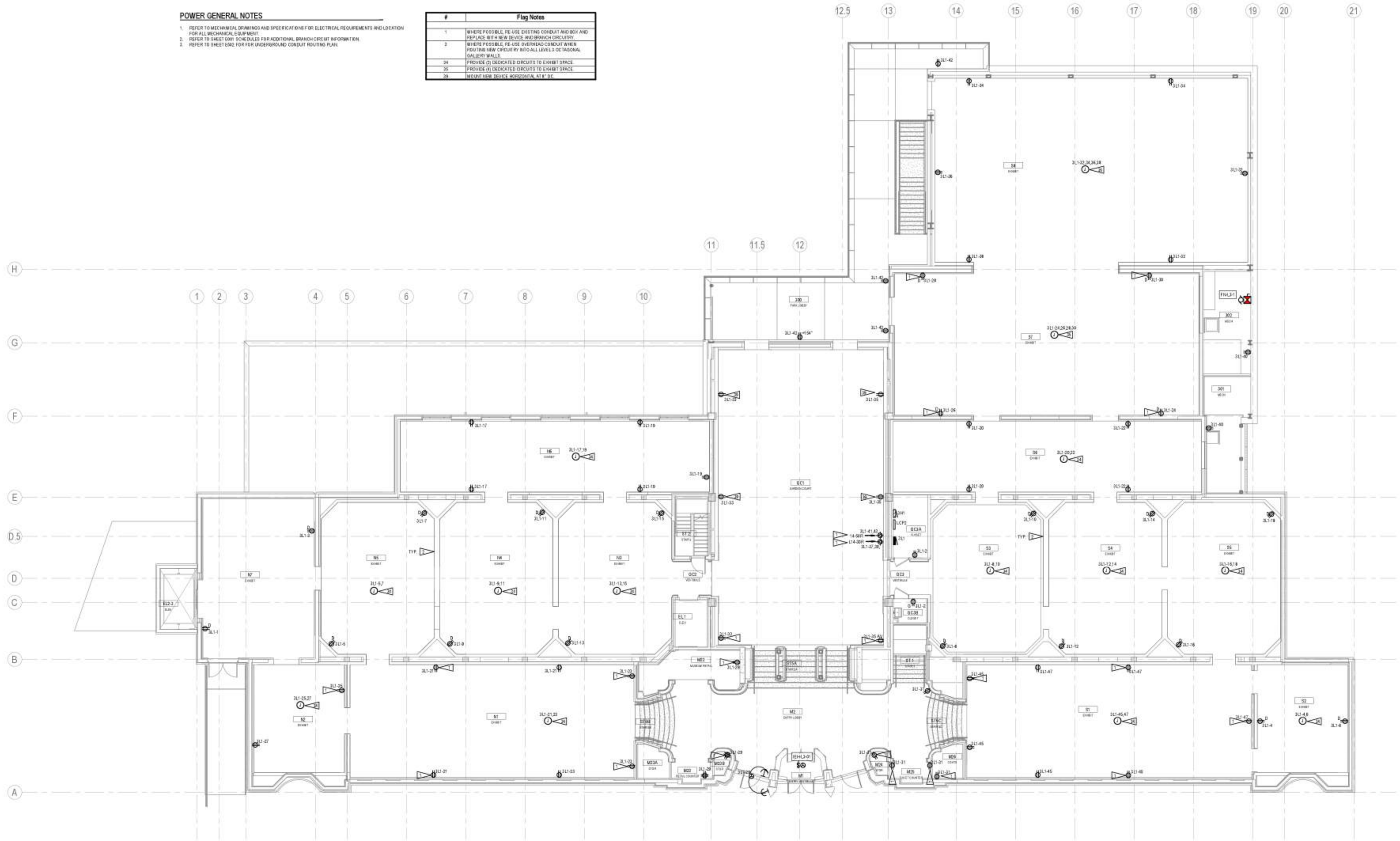
801 Second Avenue, Suite 301
Seattle, Washington 98104
T 206 682 3400
F 206 243 9399
www.lmnarchitects.com

400 Fairview Avenue N, Ste 620
Seattle, Washington 98109-4802
(206) 467-0553

POWER GENERAL NOTES

1. REFER TO MECHANICAL DRAWINGS AND SPECIFICATION FOR ELECTRICAL REQUIREMENTS AND LOCATION FOR ALL MECHANICAL EQUIPMENT.
2. REFER TO SHEET E002 SCHEDULES FOR ADDITIONAL BRANCH CIRCUIT INFORMATION.
3. REFER TO SHEET E002 FOR UNDERGROUND CONDUIT ROUTING PLAN.

#	Flag Notes
1	WHERE POSSIBLE, RE-USE EXISTING CONDUIT AND BOX AND REPLACE WITH NEW DEVICE AND BRANCH CIRCUITRY.
2	WHERE POSSIBLE, RE-USE OVERHEAD CONDUIT WHEN ROUTING NEW CIRCUITRY BY FOLLOWING LEVEL'S OF TYPICAL GALLERY WALLS.
34	PROVIDE (2) DEDICATED CIRCUITS TO EXHIBIT SPACE.
35	PROVIDE (4) DEDICATED CIRCUITS TO EXHIBIT SPACE.
39	INSTALL NEW DEVICE HORIZONTAL, 41" BC.



1 POWER FLOOR PLAN - LEVEL 3
1/8" = 1'-0"

PRINTED 6/22/2017 4:34:36 PM



LMN Architecture
Urban Design
Interiors

Stantec

400 Franklin Avenue N Suite 620
Seattle, Washington 98109-4902
(206) 467-0555

SDCI Use Only

SAM ASIAN
ART
MUSEUM

Asian Art Museum Expansion & Renovation
Vauxhall Park / 1400 E Prospect /
Seattle, WA

Submitted

Revisions

No. Date Description

Construction
Documents

Sheet

Title

Number

Power Floor Plan -
Level 3

FOR REFERENCE ONLY

Drawn: NH
Checked: DF
LMN Proj No: 16026.01
Date: 6/23/17

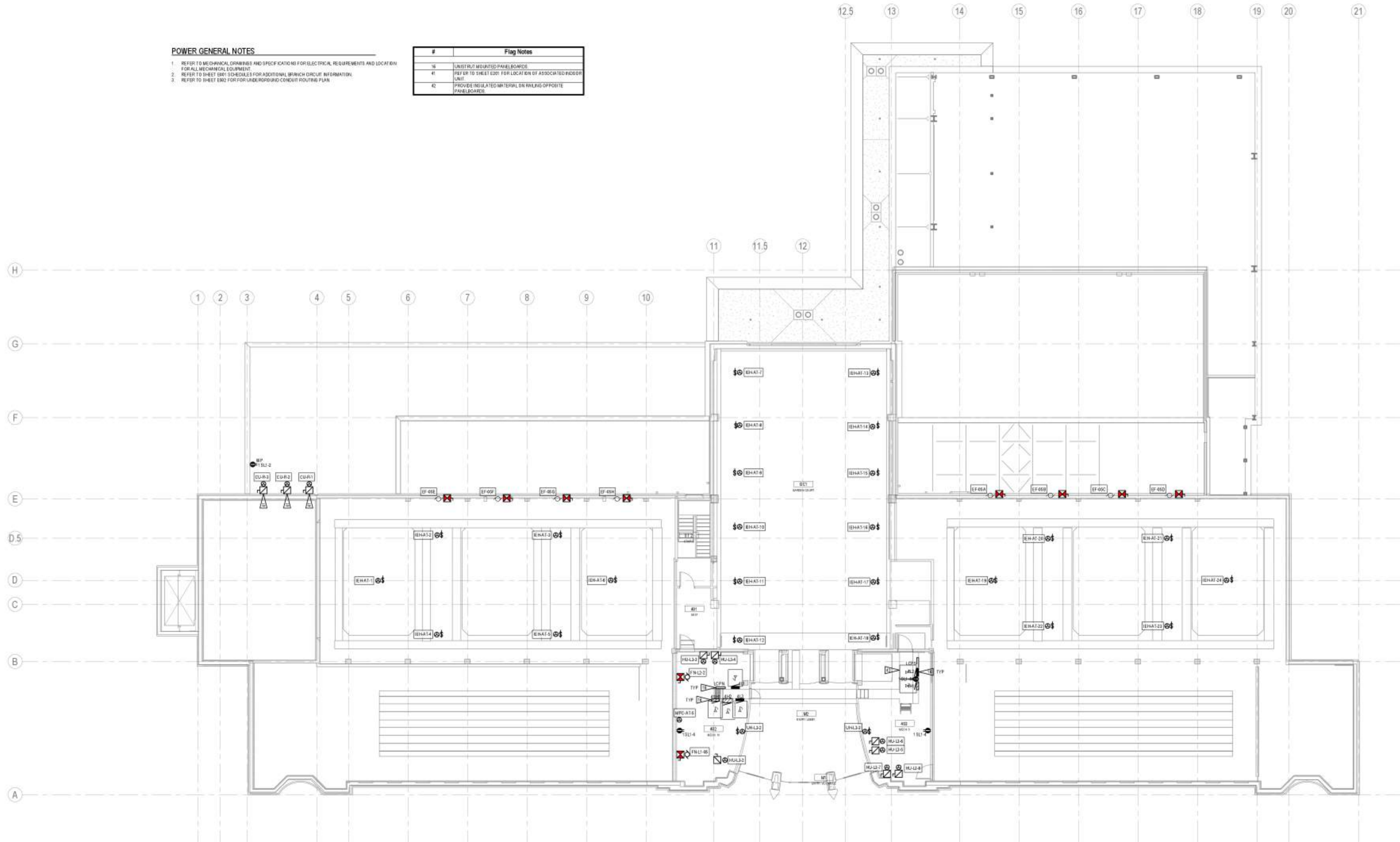
E203

801 Second Avenue, Suite 501
Seattle, Washington 98104
T 206 692 3460
F 206 343 9388
www.lmnarchitects.com

POWER GENERAL NOTES

1. REFER TO MECHANICAL DRAWINGS AND SPECIFICATIONS FOR ELECTRICAL REQUIREMENTS AND LOCATION FOR ALL MECHANICAL EQUIPMENT.
2. REFER TO SHEET E201 SCHEDULES FOR ADDITIONAL BRANCH CIRCUIT INFORMATION.
3. REFER TO SHEET E202 FOR UNDERGROUND CONDUIT ROUTING PLAN.

#	Flag Notes
16	UNTESTED MOUNTED PANELBOARDS
41	REF ER TO SHEET E201 FOR LOCATION OF ASSOCIATED INDOOR UNIT
42	PROVIDE INSULATED MATERIAL ON RAILS OPPOSITE PANELBOARDS



1 Level 4 Attic Power
E204 1/8" = 1'-0"

PRINTED: 6/22/2017 4:34:47 PM



LMN Architecture
Urban Design
Interiors

Stantec

400 Franklin Avenue N Suite 620
Seattle, Washington 98109-4902
(206) 467-0555

SDCI Use Only

SAM ASIAN
ART
MUSEUM

Asian Art Museum Expansion & Renovation
Volunteer Park / 1400 E Prospect /
Seattle, WA

Submittal

Construction
Documents

Revisions

No. Date Description

Sheet

Title

Number

FOR REFERENCE ONLY

Drawn: NH
Checked: DF
LMN Proj No: 16026.01
Date: 6/23/17

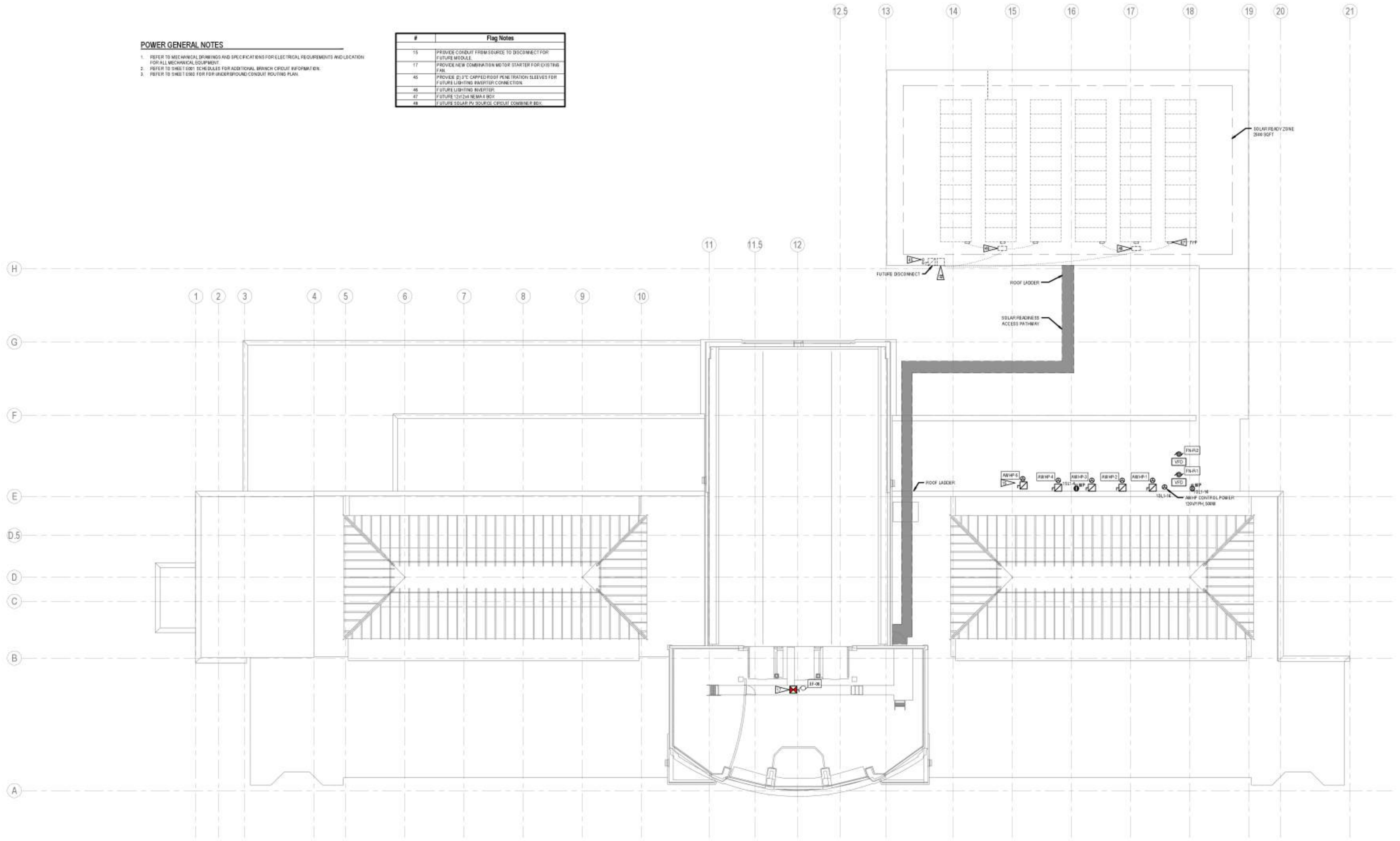
Power Floor Plan -
Level 4 Attic

E204

POWER GENERAL NOTES

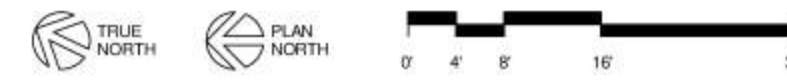
1. REFER TO MECHANICAL DRAWINGS AND SPECIFICATIONS FOR ELECTRICAL REQUIREMENTS AND LOCATION FOR ALL MECHANICAL EQUIPMENT.
2. REFER TO SHEET E001 SCHEDULES FOR ADDITIONAL BRANCH CIRCUIT INFORMATION.
3. REFER TO SHEET E002 FOR UNDERGROUND CONDUIT ROUTING PLAN.

#	Flag Notes
15	PROVIDE CONDUIT FROM SOURCE TO DISCONNECT FOR FUTURE MODULE.
17	PROVIDE NEW COMBINATION MOTOR STARTER FOR EXISTING FAN.
45	PROVIDE 2 1/2" CAPPED ROOF PENETRATION SLEEVES FOR FUTURE LIGHTING INVERTER CONNECTION.
46	FUTURE LIGHTING INVERTER.
47	FUTURE 12/24 NEMA 4 BOX.
48	FUTURE SOLAR PV SOURCE CIRCUIT COMBINER BOX.



1 POWER FLOOR PLAN - ROOF
1.8" = 1'-0"

PRINTED 6/22/2017 4:34:02 PM



400 Franklin Avenue N Suite 620
Seattle, Washington 98109-4902
(206) 467-0555



Asian Art Museum Expansion & Renovation
Volunteer Park / 1400 E Prospect / Seattle, WA

Submitted

Construction Documents

Revisions

No. Date Description

Sheet Title

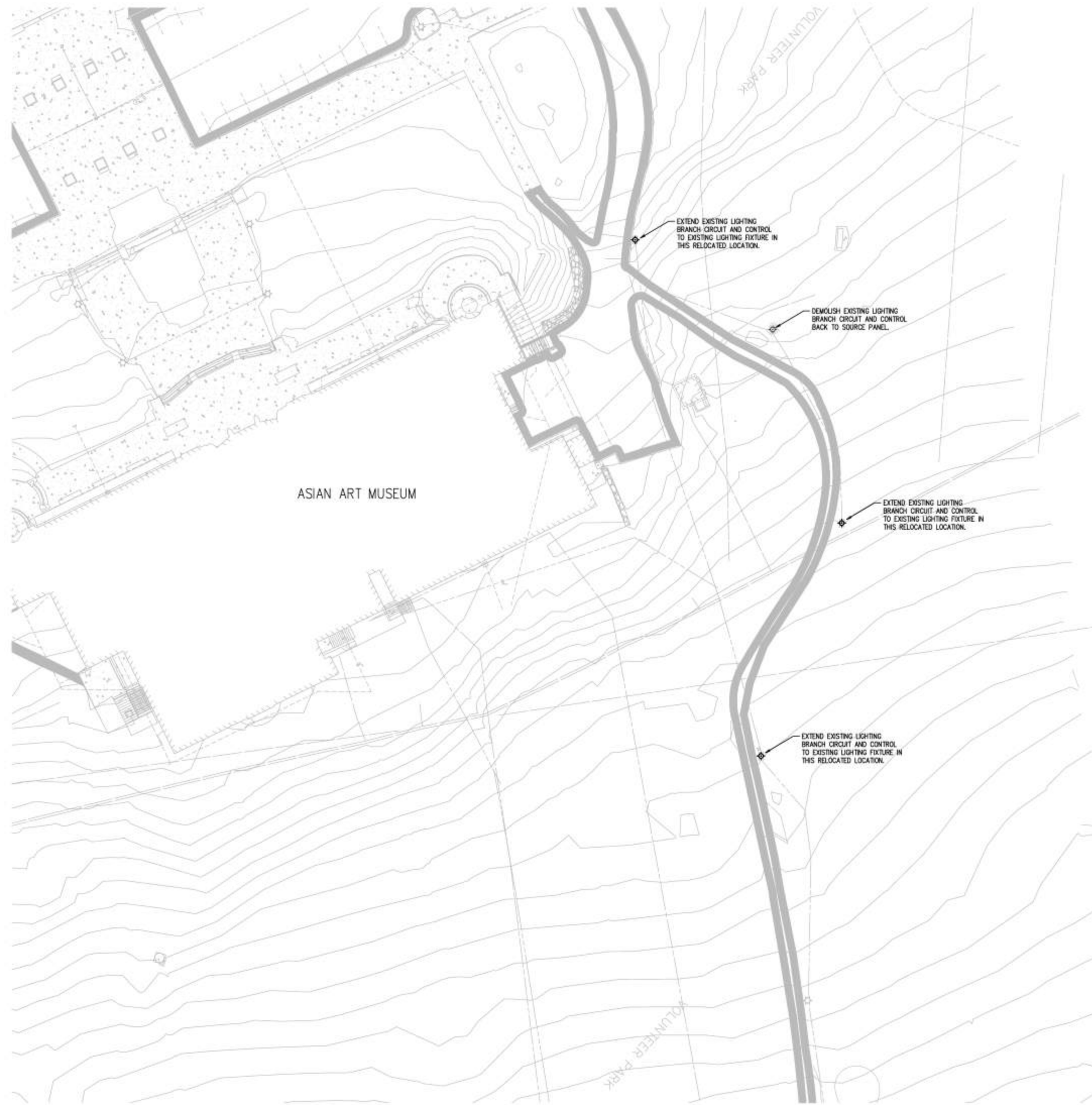
Power Floor Plan - Roof

Sheet Number

E205

FOR REFERENCE ONLY

Drawn: NH
Checked: DF
LMN Proj No: 15026.01
Date: 6/23/17



GENERAL NOTES:
 1. REFER TO CIVIL AND LANDSCAPE DRAWINGS FOR SCOPE RELATED TO DEMOLITION, RELOCATION OF SITE LIGHTING FIXTURES.

ASIAN ART MUSEUM

E300 SITE LIGHTING PLAN
 SCALE: 1" = 20'

Printed: 6/23/17 10:42:29 AM
 \\US1228-REV\WORKSPACE\ACTIVE\04681216\ASAP-E300.dwg (3/30) Jun 22, 2017 3:55 PM By: JRE/CLM

LMN Architecture
 Urban Design
 Interiors

801 Second Avenue, Suite 501
 Seattle, Washington 98104
 T 206 662 3460
 F 206 343 9395
 www.lmnarchitects.com

Stantec

400 Rinkow Avenue, N. Suite 420
 Seattle, Washington 98109-8802
 (206) 667-6526

SDCI Use Only

SAM ASIAN
 ART
 MUSEUM

Asian Art Museum Expansion & Renovation

Volunteer Park / 1400 E Prospect /
 Seattle, WA 98112

Submital

Construction
 Documents

Revisions			
No.	Date	By	Description

Sheet	
Title	Number

Drawn	MH
Checked	DF
LMN Proj No	16026.01
Date	6/23/17

FOR REFERENCE ONLY

SITE LIGHTING PLAN

E300

LEVEL 1 LIGHTING GENERAL NOTES

1. REFER TO SPECIFICATIONS FOR LIGHTING FIXTURE SCHEDULE WITH 'F' DESIGNATION.
2. REFER TO EEMF FOR LIGHTING CONTROL INTENT MATRIX.
3. REFER TO EEMF FOR BIDDING NETWORK, LIGHTING ZONES, LIGHTING CONTROL WIRING DIAGRAMS AND SCHEDULES.
4. LIGHTING RELAYS ON LEVEL 1 TO BE FROM LCM1.
5. PROVIDE UNWITNESSED LED TO EXIT SIGNS.
6. EXIT SIGNS AND EMERGENCY LIGHTING ARE OBTAINED TO PANEL 1 EEM UNLESS OTHERWISE NOTED.
7. REFER TO ARCHITECTURAL FOR LIGHTING FIXTURE MOUNTING HEIGHT.

#	Flag Notes
1	CODED BY LIGHT FIXTURE LOCATION WITH ELEVATOR CONTROL FACTOR.
2	PROVIDE TWO (2) BUTTON (ALL ON/OFF) CONTROL STATION (FIVE (5) BUTTON LOW VOLTAGE ONE-RIDE CONTROL STATION CONTROL LABELS WITH A DIMMER).
10	ALL ON 2. ALL OFF 3. SWITCH-LEG A 4. SWITCH-LEG B 5. SWITCH-LEG C

LIGHTING FIXTURE SCHEDULE

Type	Description	Manufacturer	Model	Alternate Manufacturers	Lamp	Load	Volts	Finish	Location
01	LED STRIPLIGHT 4" 3000LM	LITHONIA	ZLI N LM 3000LM FST MV/DLT 30K 80 CRI	PRUDENTIAL BARTCO PARAMOUNT	9.2W FT LED MODULES 300K CCT, 80+ CRI	33 VA	277 V	WHITE/EGALVARNISHED/WHITE BLACK/SMOKE GRAY	THROUGHOUT BACK OF HOUSE SPACE
02	LED STRIPLIGHT 2" 2000LM	LITHONIA	ZLI N LM 2000LM FST MV/DLT 30K 80 CRI	PRUDENTIAL BARTCO PARAMOUNT	11.2 W FT LED MODULES 3000K CCT, 80+ CRI	32 VA	277 V	WHITE/EGALVARNISHED/WHITE BLACK/SMOKE GRAY	STAIRS ST & STS
03	LED STRIPLIGHT 4" 3000LM WITH OCCUPANCY SENSOR	LITHONIA	ZLI N LM 3000LM FST MV/DLT 30K 80 CRI LSKVTD ADC AL16VOLT 15M	PRUDENTIAL BARTCO PARAMOUNT	9.2W FT LED MODULES 300K CCT, 80+ CRI	33 VA	277 V	WHITE/EGALVARNISHED/WHITE BLACK/SMOKE GRAY	SHOWER
04	LED FLUSH MOUNT	LITHONIA	VERSILITE FMM302L 13.8.30 DIA W/L	PRUDENTIAL BARTCO PARAMOUNT	LED-3000K	9 VA	120 V	TEXTURED WHITE/TEXTURED BRONZE/NATURAL ALUMINUM	LEVEL 1 BRKRM
05	LED JUNKIE UNDER CABINET LIGHT	LITHONIA	BELO 24 304 90CR 90R 9N	PRUDENTIAL BARTCO PARAMOUNT		22 VA	277 V	WHITE/EGALVARNISHED/BLACK	TRANSFORMER VAULT
06	TRANSFORMER VAULT LIGHTING (SEE SCL GUIDELINE 064.06 FOR SPECIFICATIONS)	LITHONIA				21 VA	120 V		
07	LI FIXTURE WITH WIRING GUARD	LITHONIA	ZLI N LM 3000LM FST MV/DLT 30K 80 CRI W/2X	PRUDENTIAL BARTCO PARAMOUNT		33 VA	277 V		
08	LI FIXTURE WITH WIRING GUARD	LITHONIA	ZLI N LM 3000LM FST MV/DLT 30K 80 CRI W/2X	PRUDENTIAL BARTCO PARAMOUNT		33 VA	120 V		
09	LED LINEAR ROUGH SERVICE FIXTURE WITH OCCUPANCY SENSOR	LITHONIA	WVF 600LM FST MV MV/DLT 6279 30K 80CR M/60MM		LED-3000K, 80 CRI	44 VA	277 V		LOADING DOCK
10	WALL MOUNTED LED ELEVATOR LIGHT	LITHONIA	FMS S1R1E3	DAY-BRITE CFI	LED-3000K 3000	39 VA	120 V		ELEVATOR PIT
11	SUSPENDED 4' LONG FLOURESCENT RECTILINEAR FORM PROVIDE LED FLUOROCARBON UV FOR EACH LAMP IN EACH LUMINAIRE	FRELITE	SFR-DEB-4-218-SC-918-100-277-FA-CH-F-6-BALLAST FACTORY-1-LED-FLUOROCARBON UV		(2) PHILIPS T2 TW/TS90	64 VA	277 V		
12	SUSPENDED 2'x2' LED THROFFER WITH NOMINAL 4' DEEP HOUSING STEEL REFLECTOR WITH WHITE, 50% TRANSPARENT, 5/8" THICK FROSTED WHITE ACRYLIC DIFFUSION LENS AND SPAN ACRYLIC CENT SPHERICAL LENS, WHITE POWDER COAT FINISH AND INTEGRAL ELECTRONIC DIMMING DRIVER	FGCAL POINT	FGC2-22-AC-3000K-306-10-UNV-DRVSP-0M-DIMMING-8H		LED-3000K 3000LUMENS (E16/E27) 90 CRI LR0 @ 45,000 HRS	35 VA	277 V	WHITE	OFFICE 114
13	EXIT SIGN (PUBLIC AREAS)	LITHONIA	ES01 0 X2	GREENLEED	GREEN LED	3 VA	277 V	BRUSHED ALUMINUM/WHITE	
14	EXIT SIGN (BACK OF HOUSE)	LITHONIA	ES10 LED 6M	GREENLEED	GREEN LED	3 VA	277 V	MATTE WHITE/BLACK	
15	EXIT SIGN (PUBLIC AREAS)	LITHONIA	ES01 0 X2 RECESSED TYPE	GREENLEED	GREEN LED	3 VA	277 V		PUBLIC SPACES



1 LIGHTING FLOOR PLAN - LEVEL 1
1/8" = 1'-0"

PRINTED 8/31/2017 1:05:13 PM



SDCI Use Only

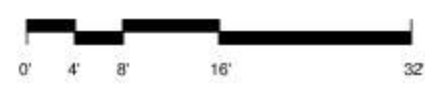


Asian Art Museum Expansion & Renovation
Volunteer Park / 1400 E Prospect / Seattle, WA

Submital

Construction Documents

No.	Date	Description
B	9/1/17	Panel Corrections 1



FOR REFERENCE ONLY

Drawn: OF
Checked: LMN Proj No. 16026.01
Date: 6/23/17

Lighting Floor Plan - Level 1

E301

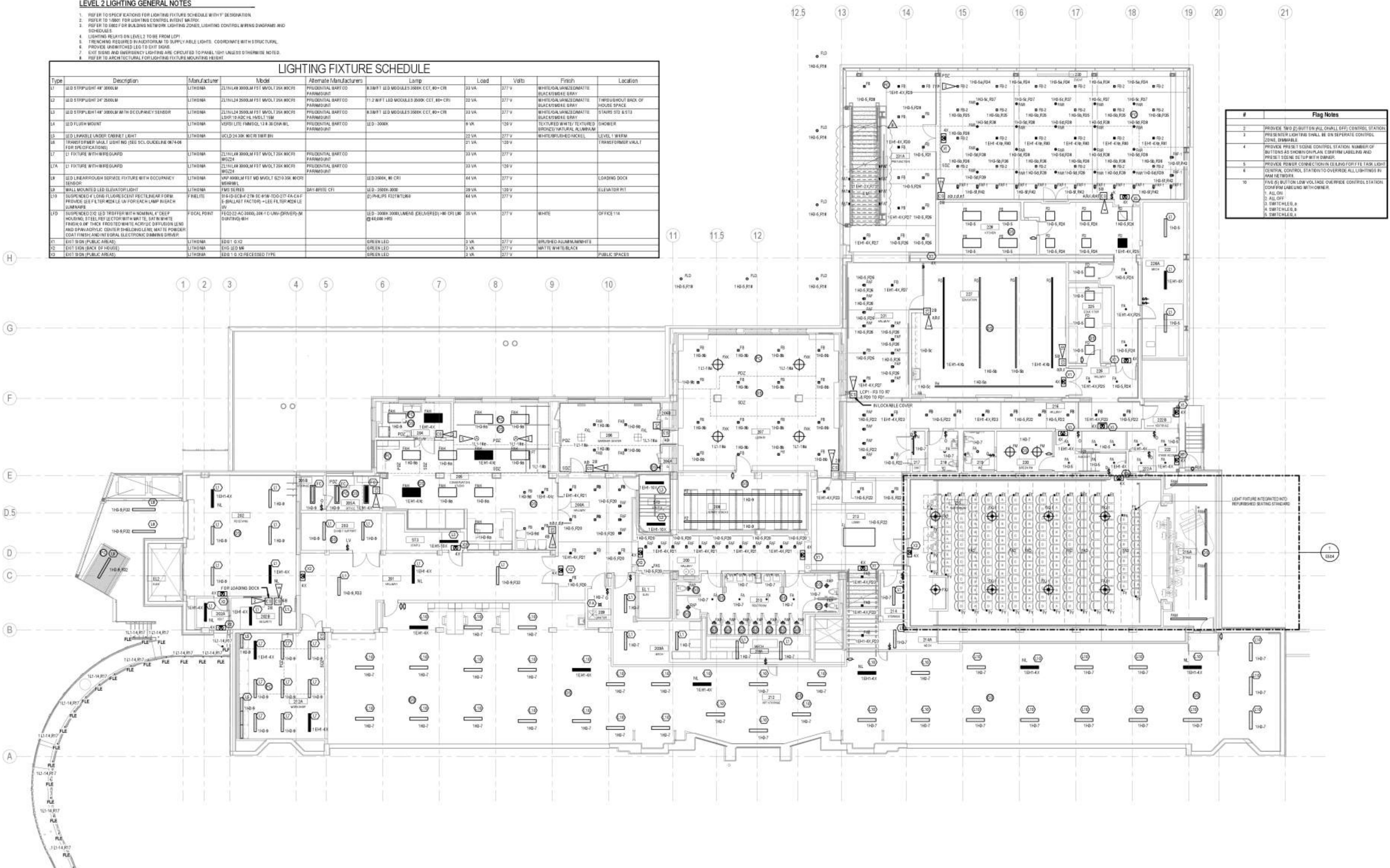
LEVEL 2 LIGHTING GENERAL NOTES

1. REFER TO SPECIFICATIONS FOR LIGHTING FIXTURE SCHEDULE WITH 'F' DESIGNATION.
2. REFER TO 18007 FOR LIGHTING CONTROL WIRING DIAGRAMS.
3. REFER TO 18007 FOR BUILDING NETWORK, LIGHTING ZONES, LIGHTING CONTROL WIRING DIAGRAMS AND SCHEDULES.
4. LIGHTING RELAYS ON LEVEL 2 TO BE FROM LPT1.
5. TRENCHING REQUIRED IN ADDITION TO SUPPLYABLE LIGHTS. COORDINATE WITH STRUCTURAL.
6. PROVIDE UNWITCHED LEG TO EXIT SIGNS.
7. EXIT SIGNS AND EMERGENCY LIGHTING ARE CIRCLED TO PANEL 1801 UNLESS OTHERWISE NOTED.
8. REFER TO ARCHITECTURAL FOR LIGHTING FIXTURE MOUNTING HEIGHT.

LIGHTING FIXTURE SCHEDULE

Type	Description	Manufacturer	Model	Alternate Manufacturer	Lamp	Load	Volts	Finish	Location
L1	LED STRIP LIGHT 4" 2000LM	LITHONIA	ZL1N1L4 2000LM FST MVOLT 25K 80CRI	PRUDENTIAL BART CO PARWOLIGHT	8.3W/FT LED MODULES 2000K CCT, 80+ CRI	33 VA	377 V	WHITE/SALVAGE/BLACKSMOKE GRAY	THROUGHOUT BACK OF HOUSE SPACE
L2	LED STRIP LIGHT 4" 2000LM	LITHONIA	ZL1N1L4 2000LM FST MVOLT 25K 80CRI	PRUDENTIAL BART CO PARWOLIGHT	11.2 W/FT LED MODULES 2000K CCT, 80+ CRI	22 VA	377 V	WHITE/SALVAGE/BLACKSMOKE GRAY	STAIRS ST2 & ST3
L3	LED STRIP LIGHT 4" 2000LM WITH OCCUPANCY SENSOR	LITHONIA	ZL1N1L4 2000LM FST MVOLT 25K 80CRI LSP1 TO ADC PL 140VLT 15M	PRUDENTIAL BART CO PARWOLIGHT	8.3W/FT LED MODULES 2000K CCT, 80+ CRI	33 VA	377 V	WHITE/SALVAGE/BLACKSMOKE GRAY	SHOWER
L4	LED FLUSH MOUNT	LITHONIA	VERO LITE FMS10L 12.8 30 DIM W/L	PRUDENTIAL BART CO PARWOLIGHT	LED - 3000K	9 VA	120 V	TEXTURED WHITE TEXTURED BRONZE/NATURAL ALUMINUM	LEVEL 1 W/RFM
L5	LED LINAROUGH UNDER CABINET LIGHT	LITHONIA	UCLD3430K MICR 58R 80			25 VA	377 V	WHITESPUNISHED NICKEL	TRANSFORMER VRAIT
L6	TRANSFORMER VOLT LIGHTING (SEE SCL OUTLINE 067406 FOR SPECIFICATIONS)					21 VA	120 V		
L7	L1 FIXTURE WITH W/REGARD	LITHONIA	ZL1N1L4 2000LM FST MVOLT 25K 80CRI	PRUDENTIAL BART CO PARWOLIGHT		33 VA	377 V		
L7A	L1 FIXTURE WITH W/REGARD	LITHONIA	ZL1N1L4 2000LM FST MVOLT 25K 80CRI	PRUDENTIAL BART CO PARWOLIGHT		33 VA	120 V		
L8	LED LINEARROUGH SERVICE FIXTURE WITH OCCUPANCY SENSOR	LITHONIA	MAP 4006LM FST MD MVOLT 6210 30K 80CRI		LED 3000K, 80 CRI	44 VA	377 V		LOADING DOCK
L9	WALL MOUNTED LED ELEVATOR LIGHT	LITHONIA	1405 SERIES	DAY-BRITE CFI	LED - 2500K 3000	28 VA	120 V		ELEVATOR PIT
L10	SUSPENDED 4' LONG FLUORESCENT RECTANGULAR FORM PROVIDE IEE FLTR MODULE LM FOR EACH LAMP REACH DIMMING	F/INTELITE	164-1D-6CB-427M 80-90W 100-277 FA-CAP I-BALLAST FACTOR - LEE FLTR M24 LE LM		2 PHILIPS F32T8/BL/60	64 VA	377 V		
L10A	SUSPENDED 4' LED TROFFER WITH NOMINAL 4" DEEP HOUSING, STEEL REFLECTOR WITH WHITE, SATIN WHITE FINISH OR 3" THICK FROSTED WHITE ACRYLIC DIFFUSION LENS AND OPTICALLY CENTER SHROUDED LENS MATTE POWDER COAT FINISH AND INTEGRAL ELECTRONIC DIMMING DRIVER	FOCAL POINT	FPC02-22-AC3000LM-4-C/LM-D/DRIVER/M-D/RT/RS/WH		LED - 3000K 3000LM/60 (DELIVERED) 80 CRI LM @ 42,000 HRS	35 VA	377 V	WHITE	OFFICE 11A
L11	EXIT SIGN (PUBLIC AREAS)	LITHONIA	ESD1 9 X 3		GREEN LED	3 VA	277 V	WR/POURED ALUMINUM/WHITE	
L12	EXIT SIGN (BACK OF HOUSE)	LITHONIA	ESD LED 8"		GREEN LED	3 VA	277 V	MATTE WHITE/BLACK	PUBLIC SPACES
L13	EXIT SIGN (PUBLIC AREAS)	LITHONIA	ESD 1.0 12 RECESSED TYPE		GREEN LED	3 VA	277 V		

#	Flag Notes
1	PROVIDE TWO (2) BUTTON (ALL ON/OFF) CONTROL STATION
2	PREFER LIGHTING SHALL BE ON SEPARATE CONTROL
3	CONTROL STATION SHALL BE ON SEPARATE CONTROL
4	PROVIDE PRESET SCENE CONTROL STATION NUMBER OF BUTTONS AS SHOWN ON PLAN. CONFIRM LABELING AND PRESET SCENE SET UP WITH OWNER.
5	PROVIDE POWER CONNECTION ISLAND FOR THE TASK LIGHT
6	CENTRAL CONTROL STATION TO OVERRIDE ALL LIGHTING IN MAIN NETWORK
10	PRESET SCENE CONTROL LOW VOLTAGE OVERRIDE CONTROL STATION. CONFIRM LABELING WITH OWNER. 1. ALL ON 2. ALL OFF 3. SWITCH LED A 4. SWITCH LED B 5. SWITCH LED C



1 LIGHTING FLOOR PLAN - LEVEL 2
E302 1/8" = 1'-0"

Printed: 8/31/2017 1:06:38 PM



SDCI Use Only



Asian Art Museum Expansion & Renovation
Volunteer Park / 1400 E Prospect / Seattle, WA

Submitted

Revisions
NO. Date Description
B 9/17 Panel Corrections 1

Sheet Title
Sheet Number

FOR REFERENCE ONLY

Construction Documents

Drawn: LMN Proj No. 16026.01
Checked: OF
Date: 6/23/17

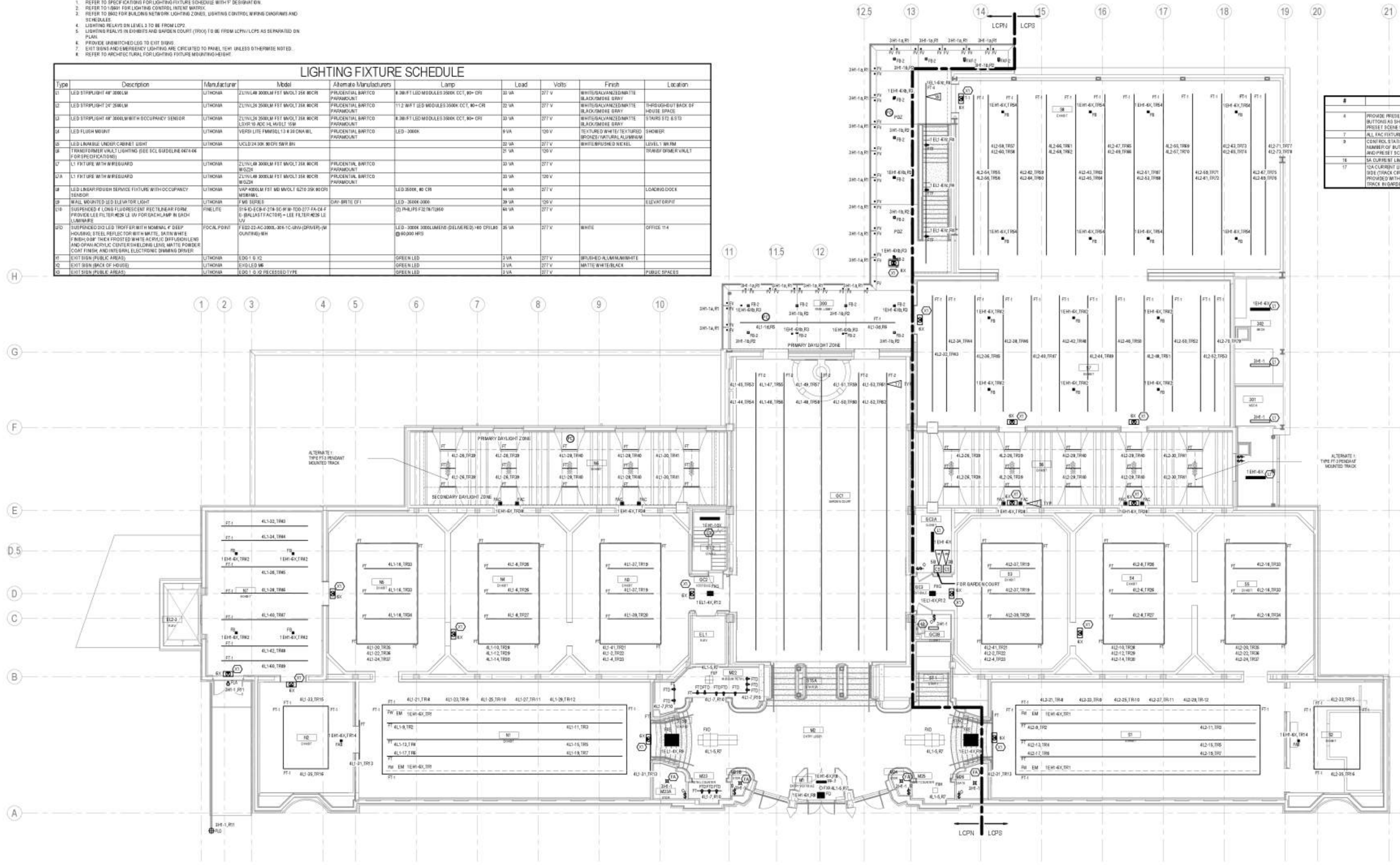
Lighting Floor Plan - Level 2

E302

- LEVEL 3 LIGHTING GENERAL NOTES**
1. REFER TO SPECIFICATIONS FOR LIGHTING FIXTURE SCHEDULE WITH 'F' DESIGNATION.
 2. REFER TO 11501 FOR LIGHTING CONTROL INTENT MATRIX.
 3. REFER TO 11502 FOR BUILDING NETWORK LIGHTING ZONES, LIGHTING CONTROL WIRING DIAGRAMS AND SCHEDULES.
 4. LIGHTING RELAYS ON LEVEL 3 TO BE FROM LCP2.
 5. LIGHTING RELAYS IN EXHIBITS AND GARDEN COURT (POV) TO BE FROM LCPV/LCPS AS SEPARATED ON PLAN.
 6. PROVIDE UNBATCHED LED TO EXIT SIGNS.
 7. EXIT SIGNS AND EMERGENCY LIGHTING ARE CREATED TO PANEL 1EM1 UNLESS OTHERWISE NOTED.
 8. REFER TO ARCHITECTURAL FOR LIGHTING FIXTURE MOUNTING HEIGHT.

Type	Description	Manufacturer	Model	Alternate Manufacturers	Lamp	Load	Volts	Finish	Location
L1	LED STRAIGHT 4'x300LM	LITHONIA	ZL171L4R 3000LM FST MVOLT 25K MCOR	PRADENTIAL BARTCO PARADIAUNT	8.30W FT LED MODULES 3500K CCT, 80+ CRI	33 VA	277 V	WHITES/ALVANIZED/MATTE BLACK/SMOKE GRAY	THROUGHOUT BACK OF HOUSE SPACE
L2	LED STRAIGHT 2'x300LM	LITHONIA	ZL171L2R 3000LM FST MVOLT 25K MCOR	PRADENTIAL BARTCO PARADIAUNT	11.2 WFT LED MODULES 3500K CCT, 80+ CRI	33 VA	277 V	WHITES/ALVANIZED/MATTE BLACK/SMOKE GRAY	STAIRS ST2 & ST3
L3	LED STRAIGHT 4'x300LM WITH OCCUPANCY SENSOR	LITHONIA	ZL171L2R 3000LM FST MVOLT 25K MCOR	PRADENTIAL BARTCO PARADIAUNT	8.30W FT LED MODULES 3500K CCT, 80+ CRI	33 VA	277 V	WHITES/ALVANIZED/MATTE BLACK/SMOKE GRAY	SHOWERS
L4	LED FLUSH MOUNT	LITHONIA	VERSI LITE FMM50L13 4.30 DINA WL	PRADENTIAL BARTCO PARADIAUNT	LED-3000K	9 VA	120 V	TEXTURED WHITE/TEXTURED BRONZE/NATURAL ALUMINUM	LEVEL 1 8A RM
L5	LED DIMMABLE UNDER CABINET LIGHT	LITHONIA	UCLD24 24 30K 80 CRI SWR BV			23 VA	277 V	WHITES/ALVANIZED/MATTE BLACK/SMOKE GRAY	TRANSFORMER VAULT
L6	TRANSFORMER VAULT LIGHTING (SEE SCL GUIDELINE 467.44 FOR SPECIFICATIONS)	LITHONIA				21 VA	120 V		
L7	L1 FIXTURE WITH W/REGUARD	LITHONIA	ZL171L4R 3000LM FST MVOLT 25K MCOR	PRADENTIAL BARTCO PARADIAUNT	8.30W FT LED MODULES 3500K CCT, 80+ CRI	33 VA	277 V		
L8	L1 FIXTURE WITH W/REGUARD	LITHONIA	ZL171L2R 3000LM FST MVOLT 25K MCOR	PRADENTIAL BARTCO PARADIAUNT	8.30W FT LED MODULES 3500K CCT, 80+ CRI	33 VA	277 V		
L9	LED LINEAR ROUGH SERVICE FIXTURE WITH OCCUPANCY SENSOR	LITHONIA	VAP 4000LM FST MD MVOLT 6270 25K 80 CRI		LED 3500K, 80 CRI	44 VA	277 V		LOADING DOCK
L10	WALL MOUNTED LED ELEVATOR LIGHT	LITHONIA	FWD SERIES		LED-3500K 3000K	24 VA	120 V		ELEVATOR PIT
L11	SUSPENDED 4' LONG FLUORESCENT RECTANGULAR FORM PROVIDE LEE FILTER HES LE (W) FOR EACH LAMP IN EACH LUMINAIRE	FINELINE	315-40-ECB-4-37A-SC-8W-100-277-FA-04-F-0-BALLAST FACTORY + LEE FILTER HES LE (W)		(2) PHILIPS F32T8/1560	84 VA	277 V		
L12	SUSPENDED 30" LED TROFFER WITH NOMINAL 4" DEEP HOUSING, STEEL REFLECTOR WITH WHITE, SATIN WHITE FINISH ON THE 4" PROOF EPOXY ACRYLIC DIFFUSIBLE AND OPTIC ACRYLIC CENTER SHIELDING LENS, MATTE POWDER COAT FINISH, AND INTEGRAL ELECTRONIC DIMMING DRIVER	FOCAL POINT	F-ED2-32-AC-3000-30K-1C-URV-DIMMER (MOUNTING) RH		LED-3000K 3000LUMENS (DELTA RE:R) +40 CPFL80 @ 80,000 HRS	25 VA	277 V	WHITE	OFFICE T14
L13	EXIT SIGN (BACK OF HOUSE)	LITHONIA	EDS1-0-12		GREEN LED	1 VA	277 V	BROWN-ED ALUMINUM/WHITE	
L14	EXIT SIGN (PUBLIC AREAS)	LITHONIA	EDS1-0-12		GREEN LED	1 VA	277 V	MATTE WHITE/BLACK	
L15	EXIT SIGN (PUBLIC AREAS)	LITHONIA	EDS1-0-12 RECESSED TYPE		GREEN LED	1 VA	277 V		PUBLIC SPACES

#	Flag Notes
4	PROVIDE PRESET SCENE CONTROL STATION NUMBER OF BUTTONS AS SHOWN ON PLAN. CONFIRM LABELING AND PRESET SCENE SETUP WITH OWNER.
7	ALL FIXTURES ARE FROM EMERGENCY POWER.
9	CONTROL STATION TO COVER ALL EVENT & EXHIBIT LIGHTS. NUMBER OF BUTTONS AS SHOWN ON PLAN. CONFIRM LABELING AND PRESET SCENE SETUP WITH OWNER.
16	SA CURRENT LUMINAIRE PROVIDED WITH 1 BAC.
17	12A CURRENT LUMINAIRE PROVIDED WITH EXHIBIT LIGHTING SIDE (TRACK CIRCUIT #1) AND SA CURRENT LUMINAIRE IS PROVIDED WITH EXHIBIT LIGHTING SIDE (TRACK CIRCUIT #2) OF TRACK IN GARDEN COURT GCI.



1 LIGHTING FLOOR PLAN - LEVEL 3
 E303
 1/8" = 1'-0"



SOCI User Only



Asian Art Museum Expansion & Renovation
 Volunteer Park / 1400 E Prospect / Seattle, WA

Submital

Construction Documents

Revisions
 No. Date Description

FOR REFERENCE ONLY

Drawn: [Name]
 Checked: [Name]
 LMN Proj No: 18026.01
 Date: 6/23/17

Lighting Floor Plan - Level 3

E303

PRINTED 6/22/2017 4:19:31 PM

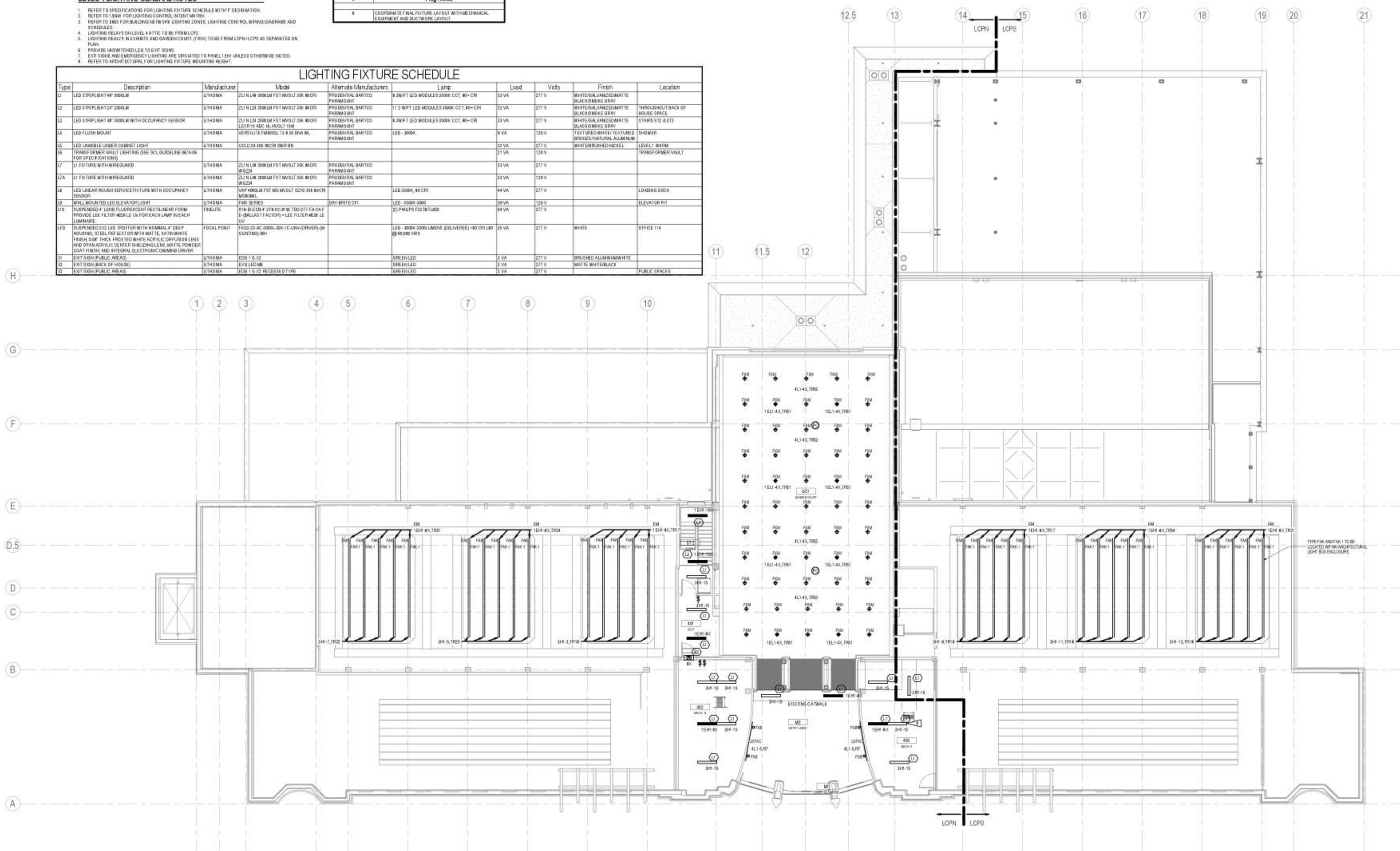
LEVEL 4 LIGHTING GENERAL NOTES

1. REFER TO SPECIFICATIONS FOR LIGHTING FIXTURE SCHEDULE WITH 'F' DESIGNATION
2. REFER TO LEGEND FOR LIGHTING CONTROL, INTENT AND TRX.
3. REFER TO EMO2 FOR BUILDING NETWORK, LIGHTING ZONES, LIGHTING CONTROL WIRING DIAGRAMS AND SCHEDULES
4. LIGHTING RELAYS ON LEVEL 4 ATTIC TO BE FROM LCP2.
5. LIGHTING RELAYS IN EXHIBITS AND GARDEN COURTY (J100) TO BE FROM LCPN/LCPS AS SEPARATED ON PLAN
6. PROVIDE UNWITCHED LED TO EXIT SIGNS
7. EXIT SIGNS AND EMERGENCY LIGHTING ARE CIRCUITED TO PANEL 1EH1 UNLESS OTHERWISE NOTED.
8. REFER TO ARCHITECTURAL FLOORING FIXTURE MOUNTING HEIGHT.

#	Flag Notes
1	COORDINATE FINAL FIXTURE LAYOUT WITH MECHANICAL EQUIPMENT AND DUCTWORK LAYOUT

LIGHTING FIXTURE SCHEDULE

Type	Description	Manufacturer	Model	Alternate Manufacturers	Lamp	Load	Volts	Finish	Location
L1	LED STRIP LIGHT 4" X 3000LM	UTHONA	ZLI N LM 3000LM FST MVOLT 30K 80 CRI	PROUDENTIAL BARTCO PARANOLUNT	8.2W FT LED MODULES 3000K CCT, 80+ CRI	33 VA	277 V	WHITE/GALVANNEZED/MATTE BLACK/SMOKE BRKY	THROUGHOUT BACK OF HOUSE SPACE
L2	LED STRIP LIGHT 2" X 3000LM	UTHONA	ZLI N LM 3000LM FST MVOLT 30K 80 CRI	PROUDENTIAL BARTCO PARANOLUNT	11.2 WFT LED MODULES 3000K CCT, 80+ CRI	32 VA	277 V	WHITE/GALVANNEZED/MATTE BLACK/SMOKE BRKY	STAIRS ST2 & ST3
L3	LED STRIP LIGHT 4" X 3000LM WITH OCCUPANCY SENSOR	UTHONA	ZLI N LM 3000LM FST MVOLT 30K 80 CRI LEXTRIO ADC HL VOLT 15M	PROUDENTIAL BARTCO PARANOLUNT	8.2W FT LED MODULES 3000K CCT, 80+ CRI	33 VA	277 V	WHITE/GALVANNEZED/MATTE BLACK/SMOKE BRKY	SHOWER
L4	LED FLUSH MOUNT	UTHONA	VERISILITE FMM02L 13 8.30 DIA W/L	PROUDENTIAL BARTCO PARANOLUNT	LED - 3000K	5 VA	120 V	TEXTURED WHITE/TEXTURED BRONZE/NATURAL ALUMINUM	LEVEL 1 SKYRM TRANSFORMER VAULT
L5	LED LINEAR UNDER CABINET LIGHT	UTHONA	UCLD 24 30K 80CRI 50W/5M			22 VA	277 V	WHIT ENBRUSHED BRCKEL	LEVEL 1 SKYRM TRANSFORMER VAULT
L6	TRANSFORMER VAULT LIGHTING (SEE SCL GUIDELINE 067406 FOR SPECIFICATIONS)					21 VA	120 V		
L7	LI FIXTURE WITH WIRE GUARD	UTHONA	ZLI N LM 3000LM FST MVOLT 30K 80 CRI W/SCN	PROUDENTIAL BARTCO PARANOLUNT		33 VA	277 V		
L7A	LI FIXTURE WITH WIRE GUARD	UTHONA	ZLI N LM 3000LM FST MVOLT 30K 80 CRI W/SCN	PROUDENTIAL BARTCO PARANOLUNT		33 VA	120 V		
L8	LED LINEAR ROUGH SERVICE FIXTURE WITH OCCUPANCY SENSOR	UTHONA	UHP 600LM F31 MD MVOLT 0270 354 80CRI MOV/AMBIL		LED 3000K, 80 CRI	44 VA	277 V		LOADING DOCK
L9	WALL MOUNTED LED ELEVATOR LIGHT	UTHONA	FMR SERIES	DAY BRITE CFI	LED - 3000K 3000	38 VA	120 V		ELEVATOR RIT
L10	SUSPENDED 4' LONG FLUORESCENT RECTILINEAR FORM PROVIDE LEE FILTER WORK L/L FOR EACH LAMP BRANCH LUMINAIRE	FINELITE	516-B-EDB-F 218 SC-918-100-277 FA-CA1 6-BALLAST FACTORY - LEE FILTER WORK L/L UV		2) PHILIPS T32 18/T30	84 VA	277 V		
L11	SUSPENDED 2' X 2' LED TRIDIFFER WITH NOMINAL 4" DEEP HOUSING, 0.18 LUMEN/DCI OR WITH MATTE, 3A TRIM WHITE FINISH 0.04" THICK FROSTED WHITE ACRYLIC DIFFUSION LENS AND 0.04" ACRYLIC CENTER SHIELDING LENS, MATTE POWDER COAT FINISH AND INTEGRAL ELECTRONIC DIMMING DRIVER	FIDAL POINT	F102-22-AC-3000K-30W-1C-LNV(DRIVER) 0.18 LUMEN/DCI		LED - 3000K 3000 LUMENS (DELIVERED) - 80 CRI L80 @ 65,000 HRS	25 VA	277 V	WHITE	OFFICE 114
L12	EXIT SIGN (PUBLIC AREAS)	UTHONA	EDS 1 G X2	GREEN LED		3 VA	277 V	BRUSHED ALUMINUM/WHITE	
L13	EXIT SIGN (BACK OF HOUSE)	UTHONA	EXS LED 1M	GREEN LED		3 VA	277 V	MATTE WHITE/BLACK	
L14	EXIT SIGN (PUBLIC AREAS)	UTHONA	EDS 1 G X2 RECESSED TYPE	GREEN LED		3 VA	277 V		PUBLIC SPACES



1 LIGHTING FLOOR PLAN - LEVEL 4 ATTIC
E304 1/8" = 1'-0"

PRINTED 6/22/2017 4:19:49 PM



400 Fairview Avenue N Suite 620
Seattle, Washington 98109-4922
(206) 467-0553



Asian Art Museum Expansion & Renovation
Southwest Park / 1400 E Prospect / Seattle, WA

Submital	Revisions
Title	No. Date Description

Construction Documents

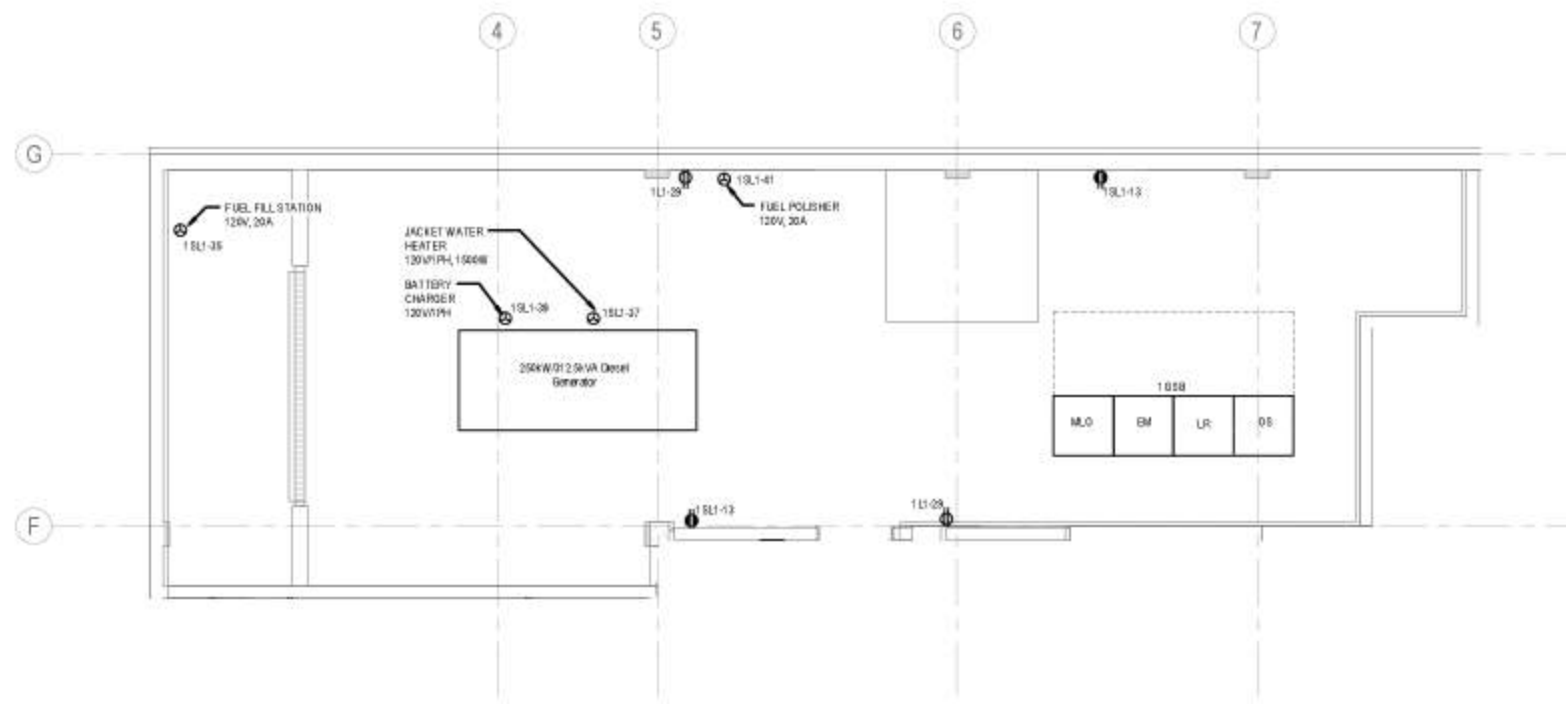
FOR REFERENCE ONLY

Drawn: DF
Checked: LMN Proj No. 16026.01
Date: 6/23/17

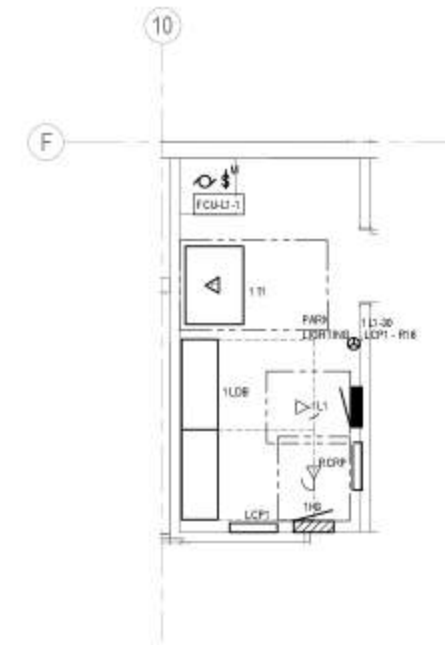
Lighting Floor Plan - Level 4 Attic

E304

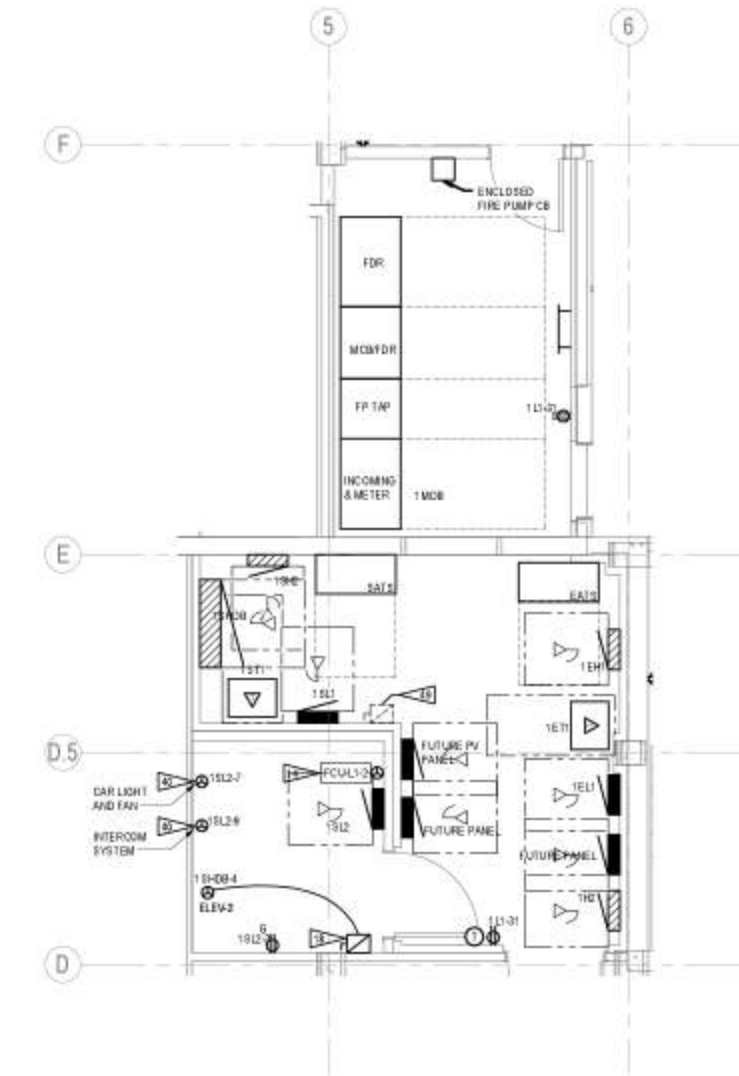
#	Flag Notes
1A	OUTDOOR CONNECTION ON ROOF ABOVE TRANSFORMER ROOM
1B	PROVIDE BUSBAR POWER MODULE OR APPROVED EQUAL. THE POWER MODULE SHALL CONTAIN A SHUNT TRIP FUSIBLE SWITCH TOGETHER WITH THE COMPONENTS NECESSARY TO COMPLY WITH THE FIRE ALARM SYSTEM REQUIREMENTS AND SHUNT TRIP CONTROL POWER ALL IN ONE PACKAGE
4D	PROVIDE WALL MOUNTED LOCKABLE CIRCUIT BREAKER FOR CAB ACCESSORIES IN ACCORDANCE WITH NEC SECTION 405
4E	FUTURE PV DISCONNECT FOR SOLAR READINESS



3 Enlarged Generator Rm 129
E501 1/4" = 1'-0"



2 Enlarged Electrical Rm 116
E501 1/4" = 1'-0"



1 Enlarged North Electrical Rm 104
E501 1/4" = 1'-0"

PRINTED 6/23/2017 8:37:20 AM



400 Firstview Avenue N Suite 620
Seattle, Washington 98109-4902
(206) 467-0555

801 Second Avenue, Suite 501
Seattle, Washington 98104
T 206 692 3460
F 206 343 9388
www.lmnarch.com

SDC1 User Only



Asian Art Museum Expansion & Renovation
Volunteer Park / 1400 E Prospect /
Seattle, WA

Submitted

Construction Documents

Revisions

No. Date Description

Sheet Title

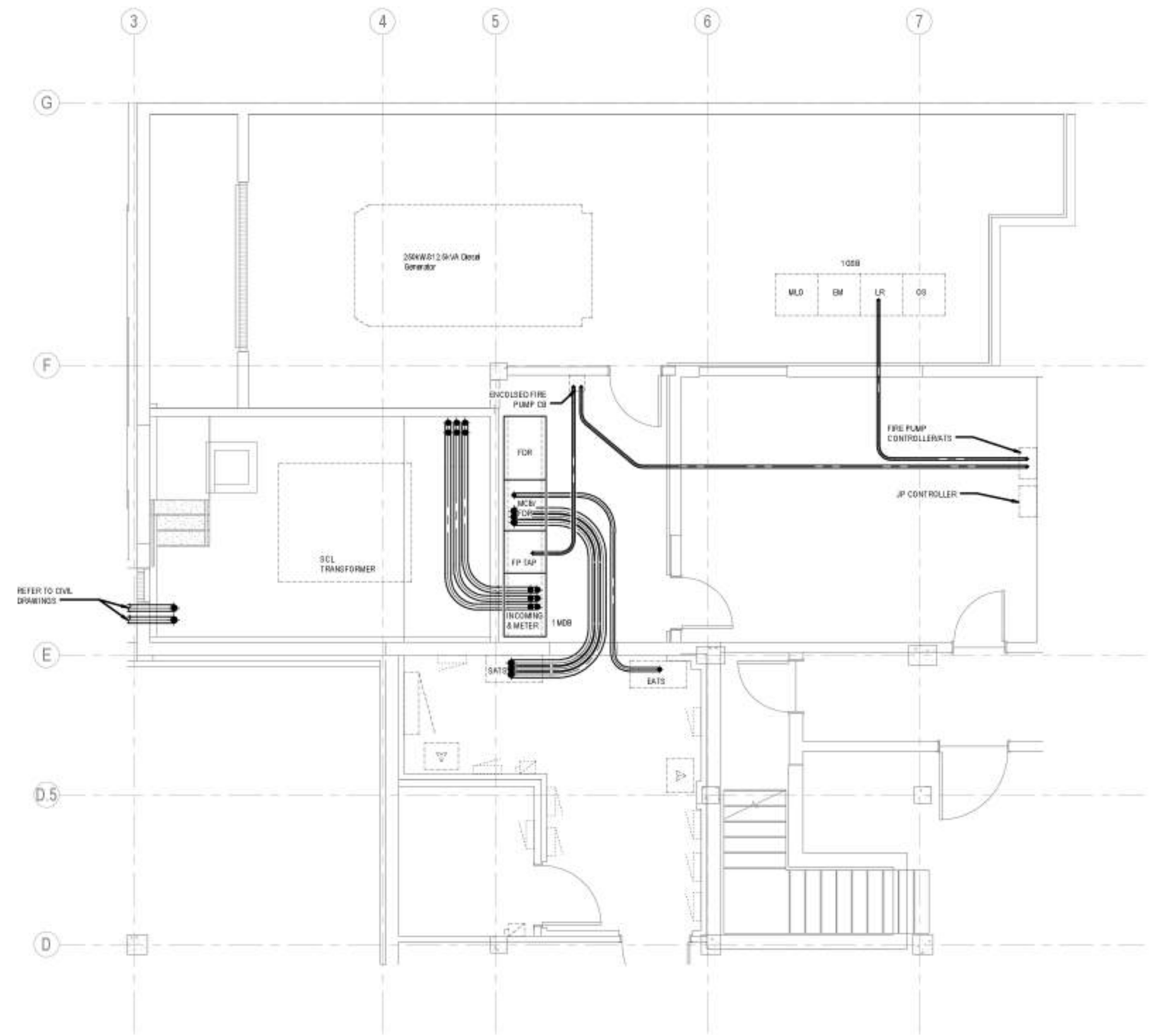
Sheet Number

FOR REFERENCE ONLY

Drawn: MH
Checked: DF
LMN Proj No: 16026.01
Date: 6/23/17

Enlarged Plans -
Electrical Rms

E501



1 Underslab Conduit Penetration
 E502 1/4" = 1'-0"

PRINTED 6/23/2017 9:37:23 AM

LMN Architecture
 Urban Design
 Interiors

Stantec

400 Franklin Avenue N Suite 620
 Seattle, Washington 98109-4902
 (206) 467-2555

801 Second Avenue, Suite 501
 Seattle, Washington 98104
 T 206 692 3460
 F 206 343 9388
 www.lmnarch.com

SDCI Use Only

SAM ASIAN
 ART
 MUSEUM

Asian Art Museum Expansion & Renovation
 Volunteer Park / 1400 E Prospect /
 Seattle, WA

Submittal

Construction
 Documents

Revisions

No.	Date	Description

Sheet

Title

Sheet

Number

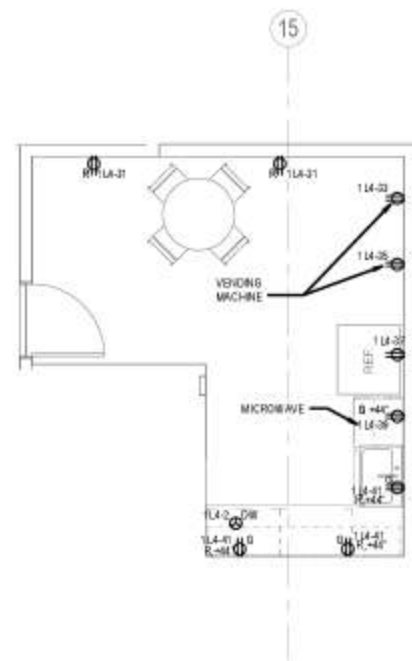
FOR REFERENCE ONLY

Drawn
 Checked
 LMN Proj No.
 Date

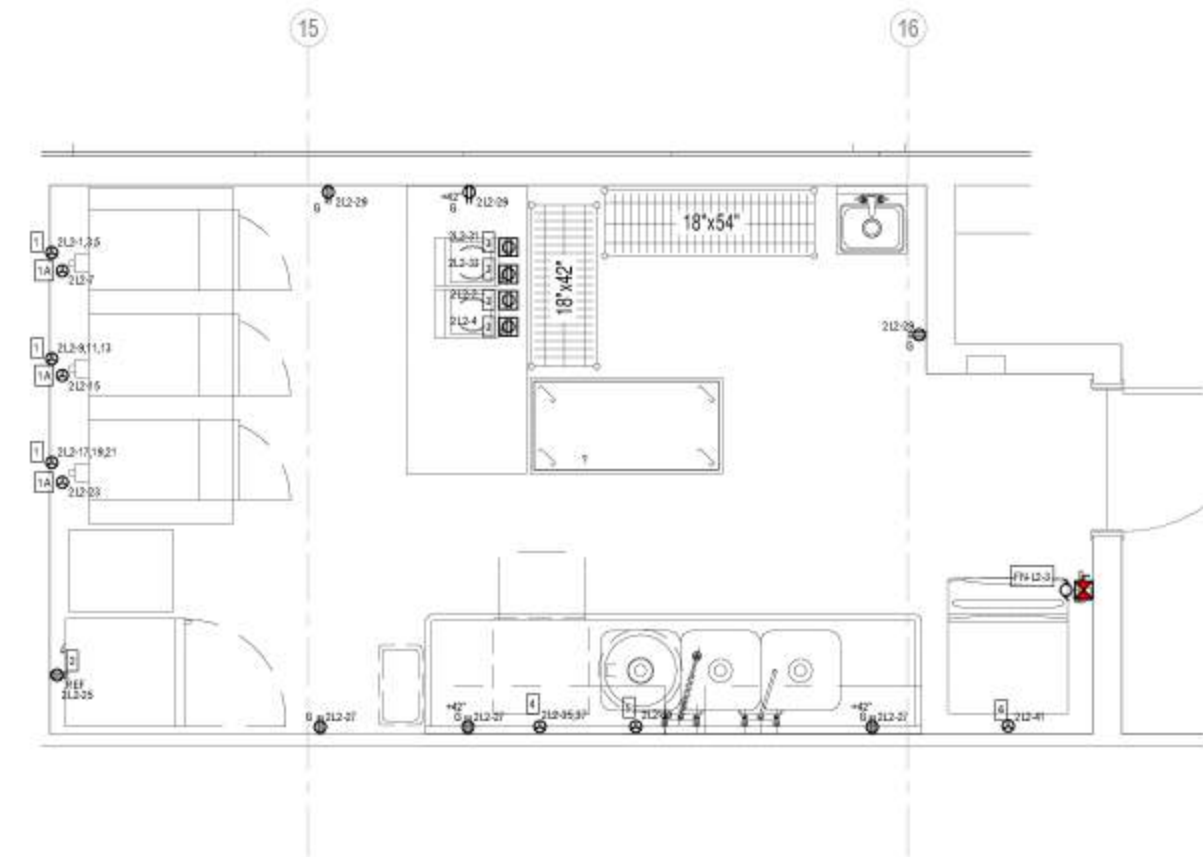
Author
 Checker
 16026.01
 6/23/17

Enlarged Plans -
 Underground
 Conduit Routing

E502



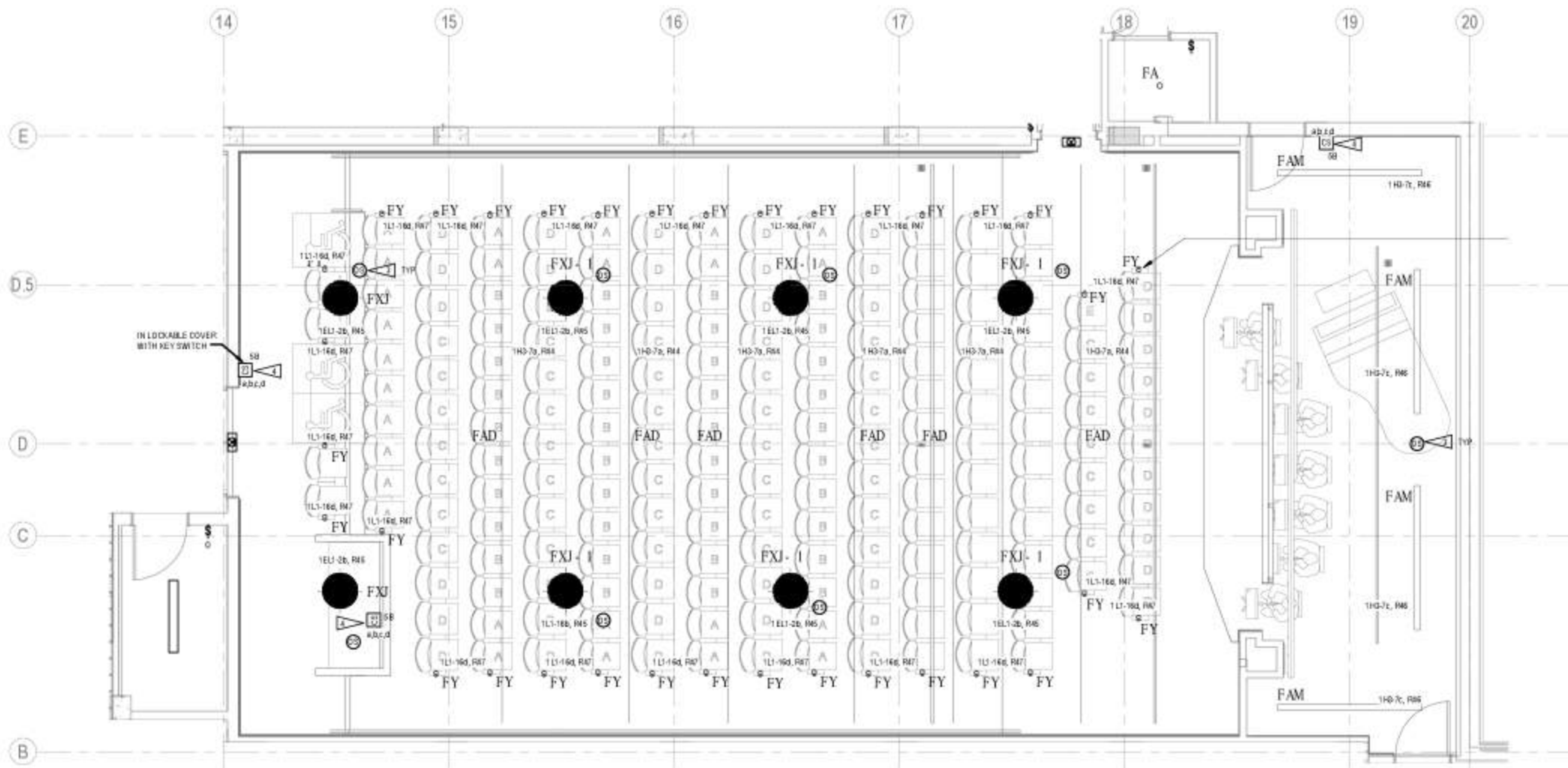
2 Enlarged Breakroom 137
E503 1/4" = 1'-0"



1 Enlarged Kitchen 228
E503 1/2" = 1'-0"

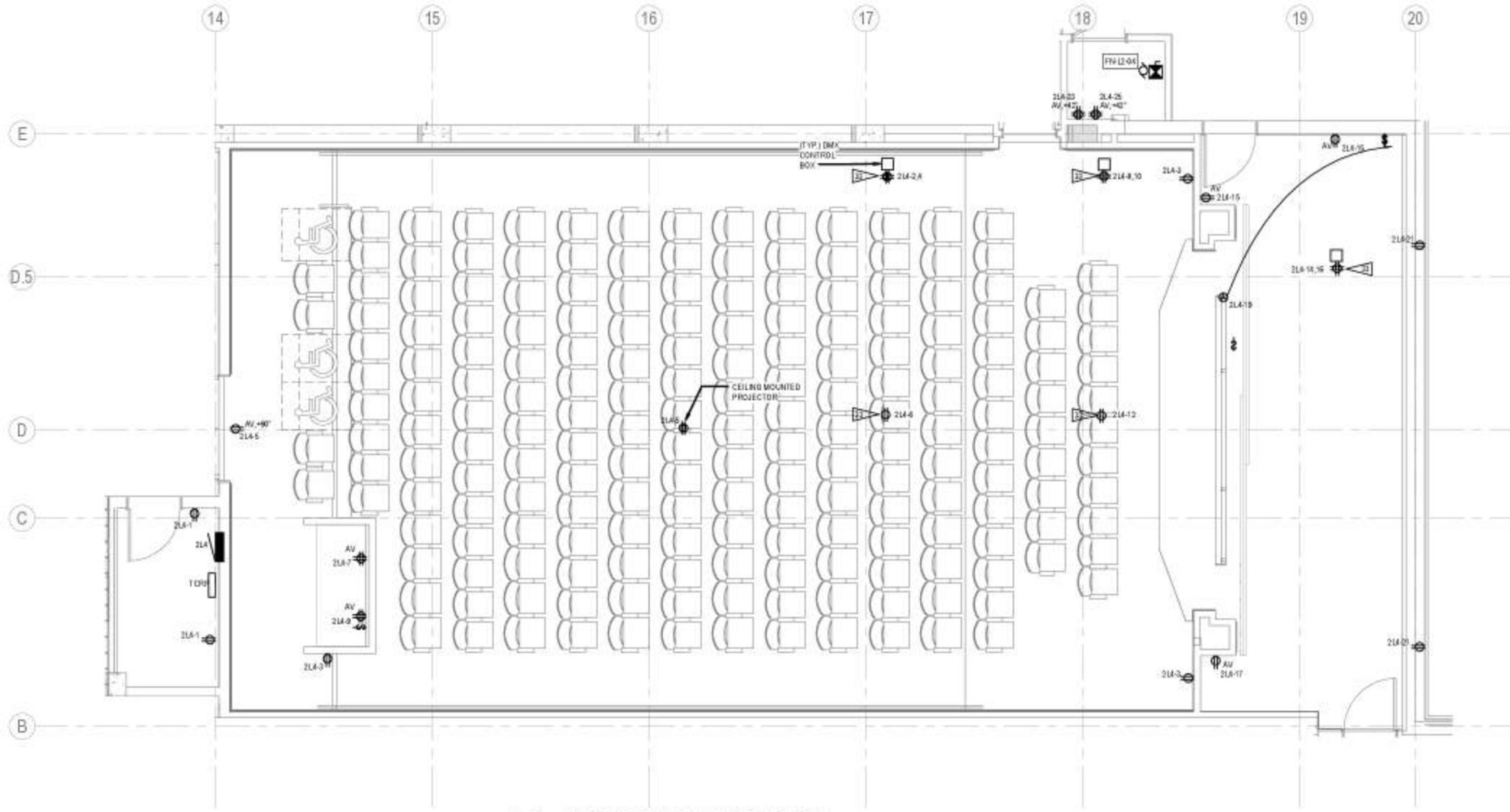
LEVEL 1 KITCHEN EQUIPMENT SCHEDULE										
ITEM #	EQUIPMENT DESCRIPTION	QUANTITY	VOLTAGE	PHASE	AMPS	CONNECTION TYPE	MOUNTING HEIGHT	CONDUIT	WIRE	NOTES
1	COMBINATION OVEN	3	208	3	28.9	HARD WIRED	18"	1"	3#6, 1#10G	
1A	HOOD	3	120	1		HARD WIRED	18"	3/4"	2#12, 1#12G	
2	REACH-IN REFRIGERATOR	1	120	1	7.9	CORD & PLUG	18"	3/4"	2#12, 1#12G	NEM A 5-15P
3	INDUCTION BURNER	4	120	1	15.0	CORD & PLUG	FLOOR	3/4"	2#12, 1#12G	NEM A 5-15P
4	UNDERCOUNTER DISHWASHER	1	208	1	32.0	HARD WIRED	18"	1"	2#6, 1#10G	
5	DISPOSER	1	120	1	22.9	HARD WIRED	18"	3/4"	2#10, 1#10G	
6	ICE MACHINE W/ BIN	1	120	1	14.2	HARD WIRED	18"	3/4"	2#12, 1#12G	AIR COOLED

PRINTED: 6/22/2017 4:36:07 PM

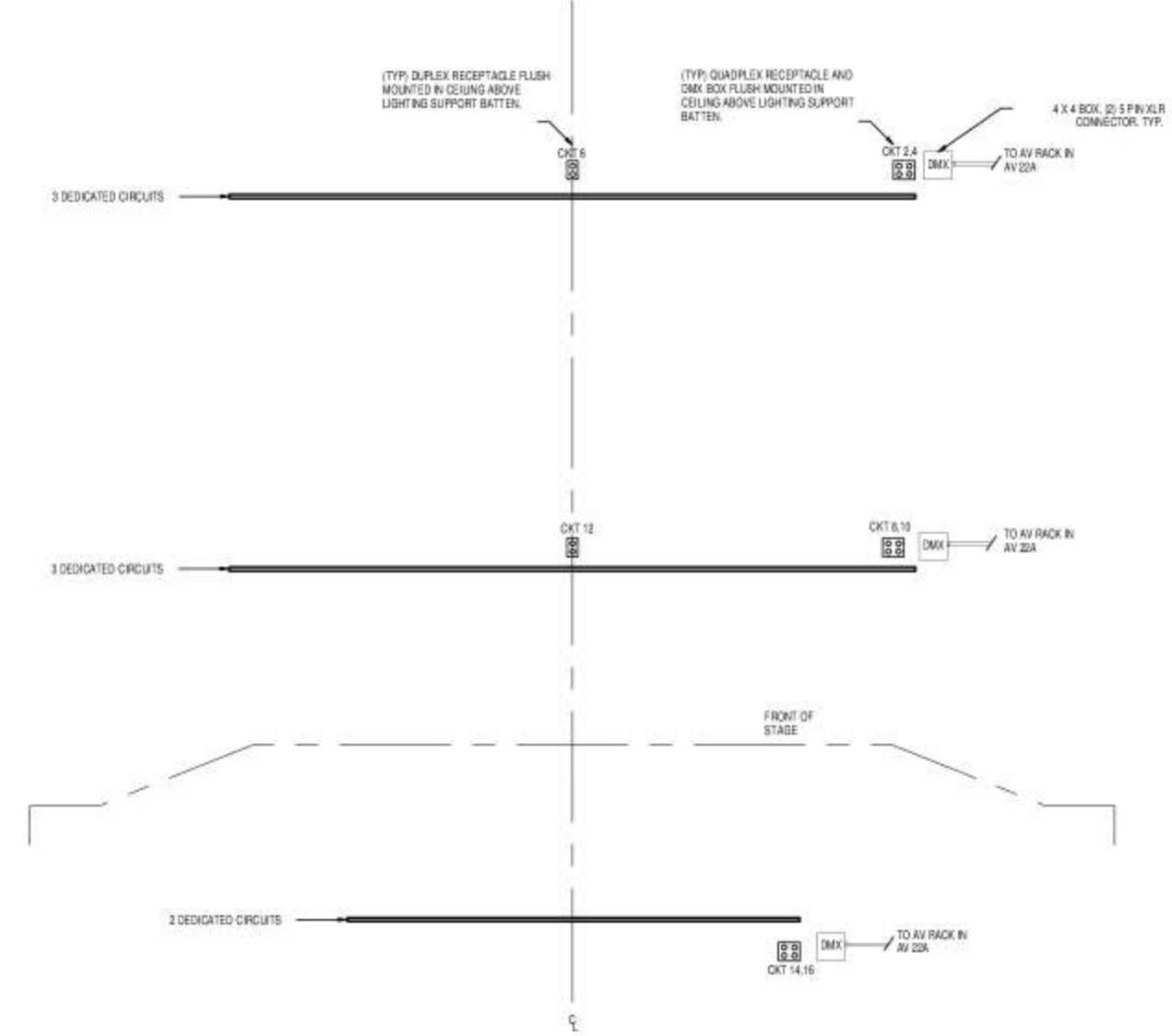


1 AUDITORIUM LIGHTING PLAN
1/4" = 1'-0"

#	Flag Notes
3	AUDITORIUM OCCUPATION SENSOR TO BE USED FOR AFTER-HOURS MAINTENANCE PURPOSES TO POWER OFF OF LIGHTS. AUDITORIUM WILL BE PRIMARILY BY TIME SWITCH CONTROL.
4	PROVIDE PRESET SCENE CONTROL STATION NUMBER OF BUTTONS AS SHOWN ON PLAN. CONFIRM LABELING AND PRESET SCENE SETUP WITH OWNER.
33	RECEPTACLE MOUNTED FLUSH IN CEILING ABOVE BATTERY FOR THEATRICAL LIGHTING. COORDINATE WITH ARCHITECT FOR EXACT LOCATION. SEE DETAIL 3 FOR SPECIFIC CREDIT DESIGNATION.



2 AUDITORIUM POWER PLAN
1/4" = 1'-0"



3 STAGE LIGHTING DETAIL VIEW
1/4" = 1'-0"

PRINTED 6/22/2017 4:07:04 PM



SDCI Use Only



Asian Art Museum Expansion & Renovation
Volunteer Park / 1400 E Prospect / Seattle, WA

Submittal

Revisions
No. Date Description

Sheet Title
Sheet Number

FOR REFERENCE ONLY

801 Second Avenue, Suite 501
Seattle, Washington 98104
T 206 682 3460
F 206 342 9388
www.lmnarchitects.com

400 Franklin Avenue N Suite 620
Seattle, Washington 98109-4902
(206) 467-0553

Construction Documents

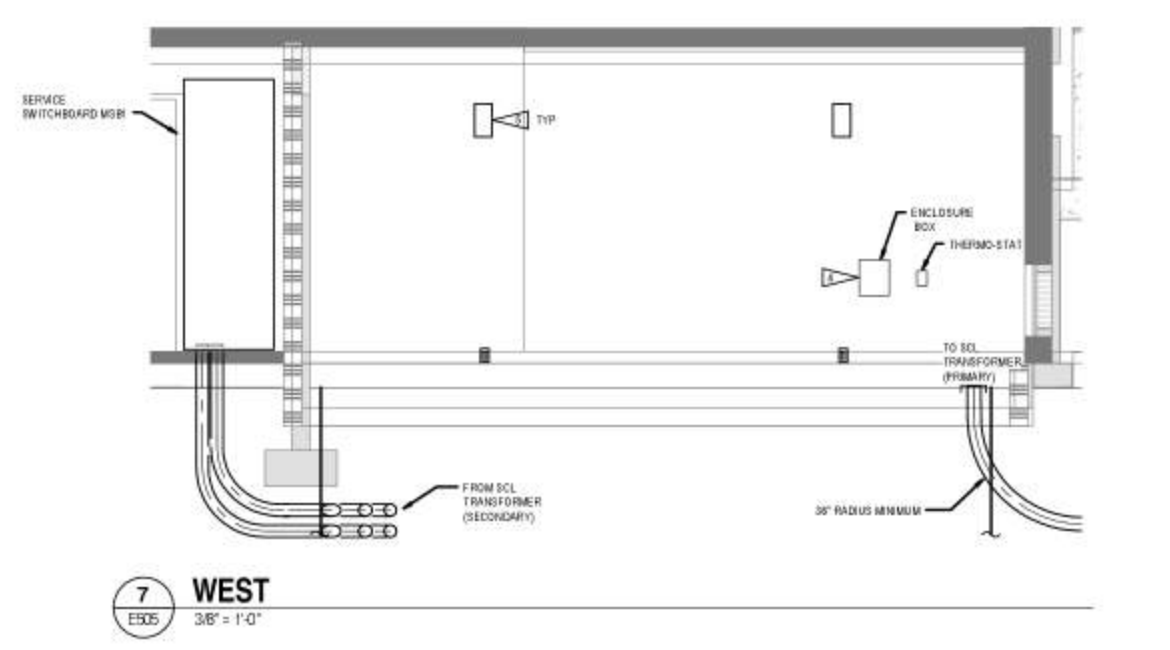
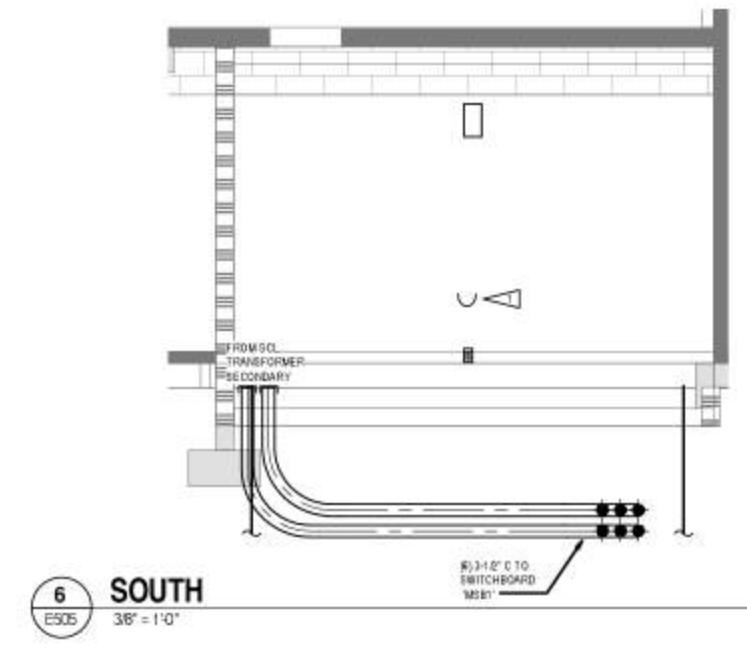
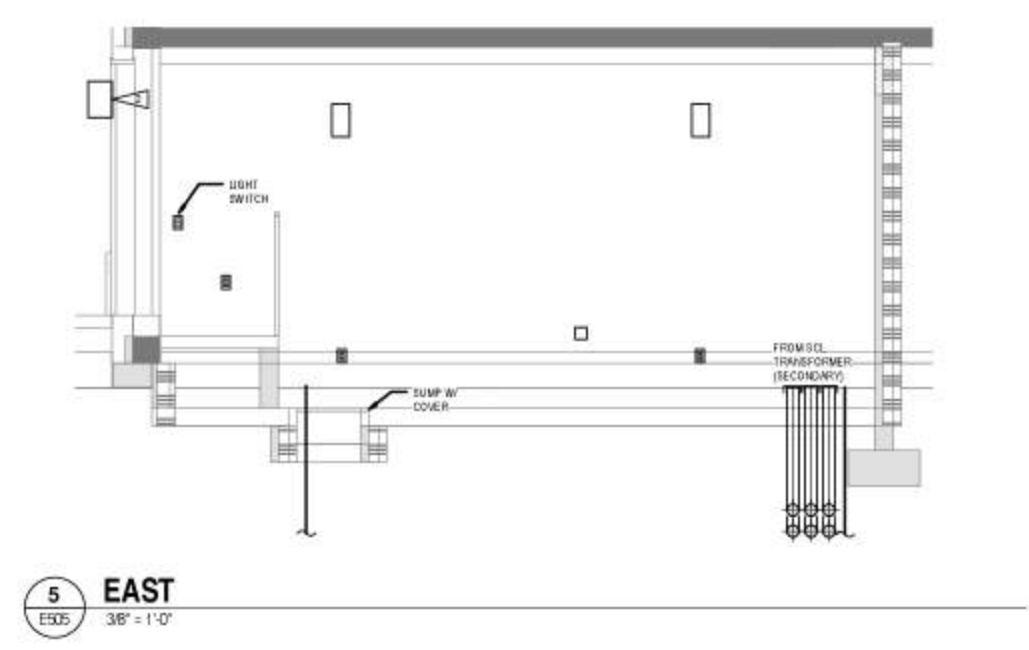
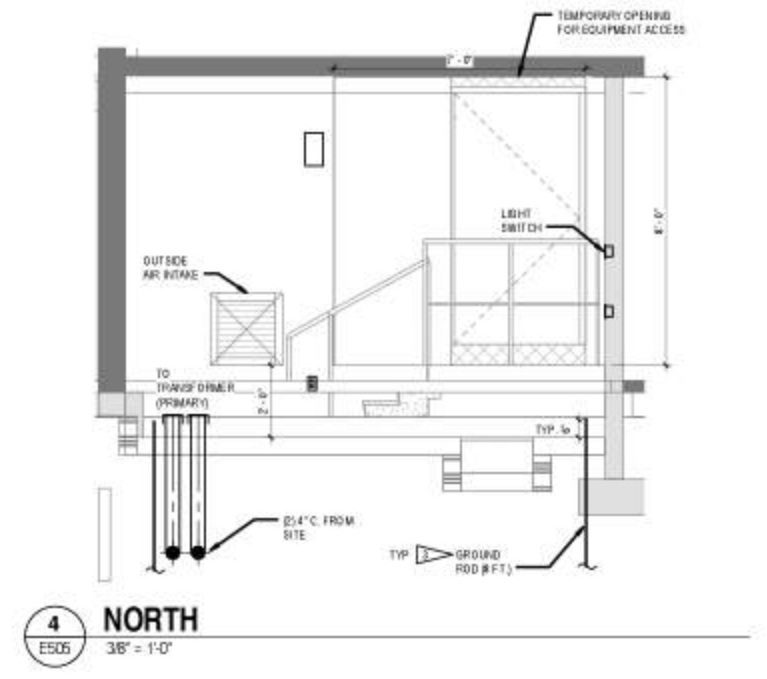
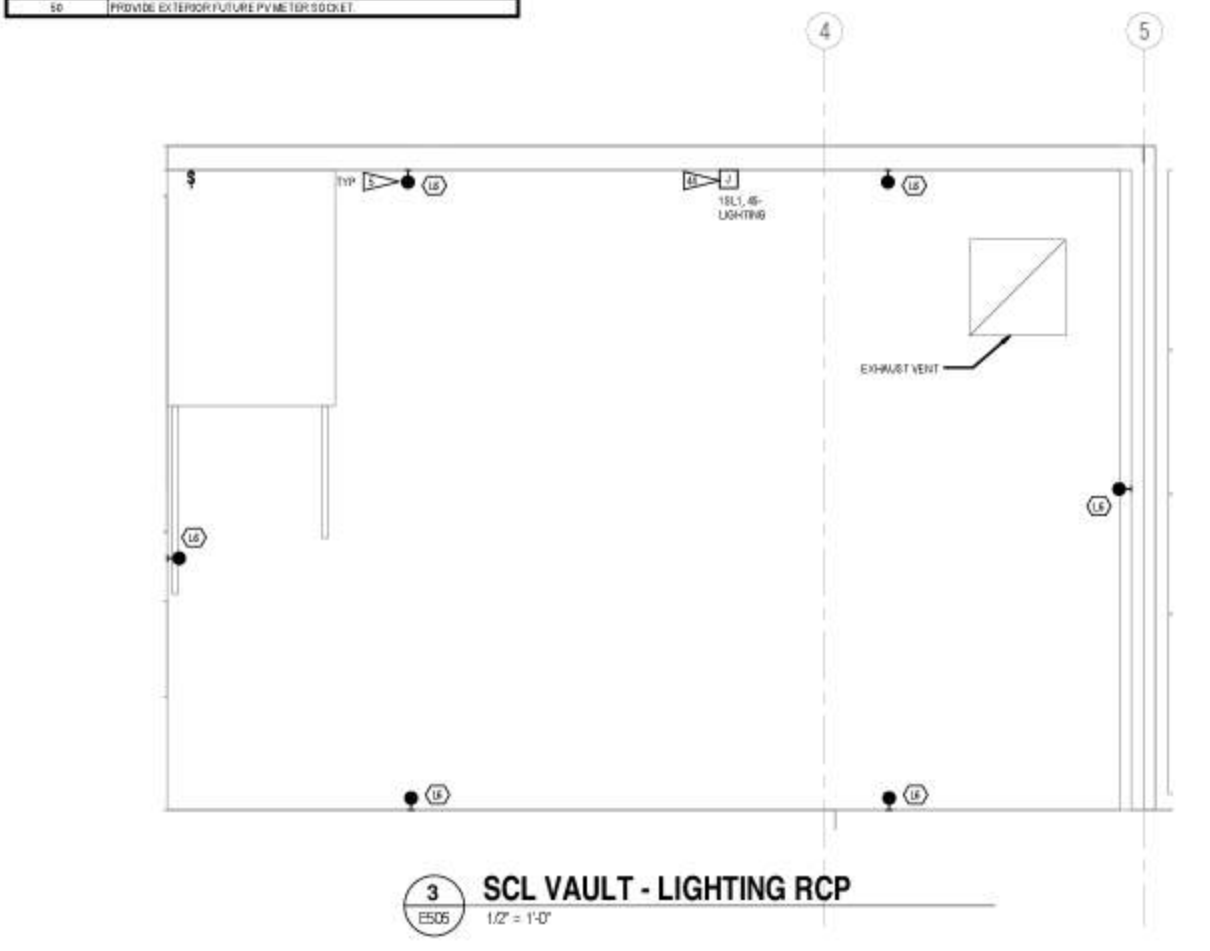
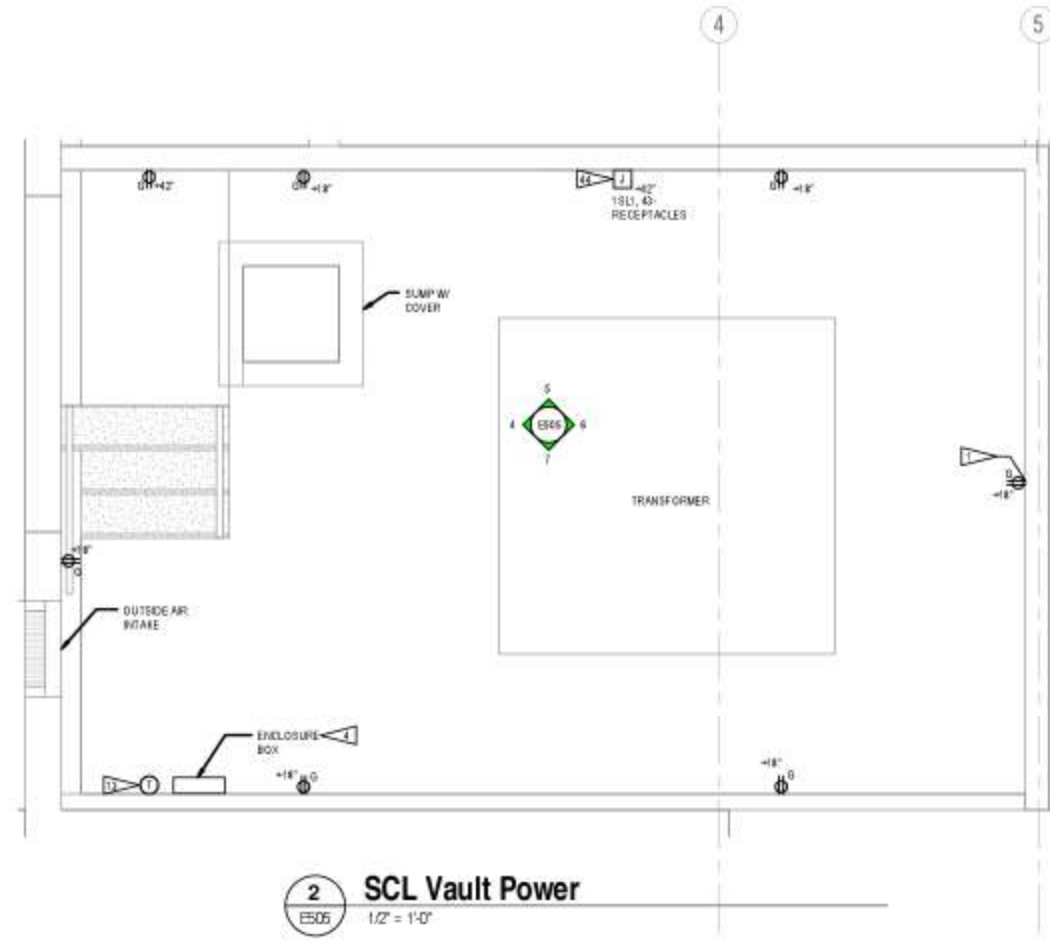
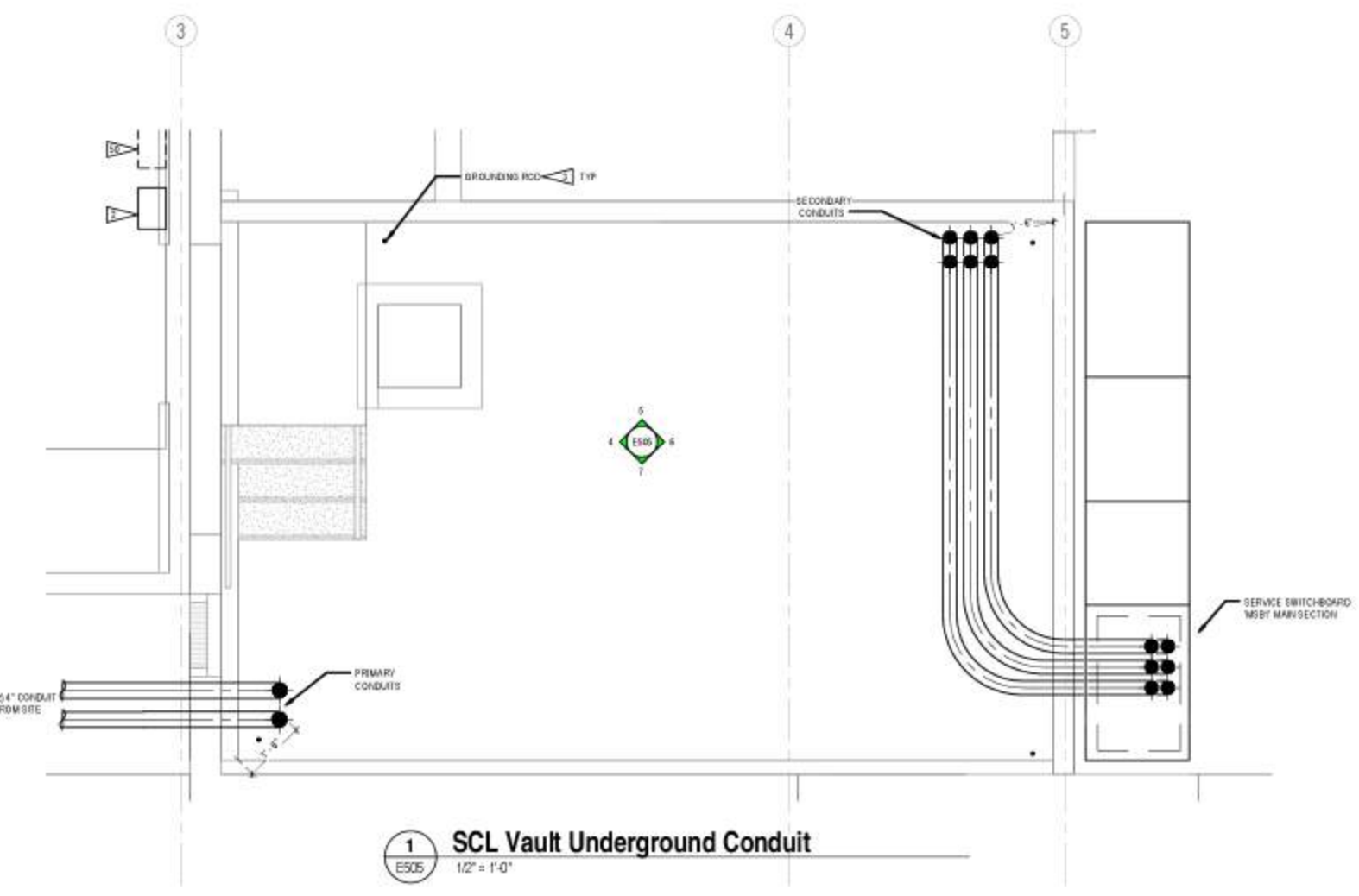
Drawn: Author
Checked: Checker
LMN Proj No: 16026.01
Date: 6/23/17

Enlarged Plans - Auditorium

E504

Flag Notes	
1	PROVIDE PULLING POINTS AT LOCATIONS DEFINED BY SEATTLE CITY LIGHT UTILITY METER ENCLOSURE. PROVIDE 1/4" CONDUIT FROM UTILITY CT COMPARTMENT IN SWITCHBOARD MBR TO EXTERIOR UTILITY METER ENCLOSURE.
3	GROUNDING FOR VAULT SHALL CONSIST OF FOUR, SIX INCH BY 4 FOOT COPPER CLAD STEEL GROUND RODS, DRIVEN INTO COMPACTED SOIL NEAR THE CORNERS OF THE VAULT. EACH ROD SHALL BE PLACED 6 INCHES PLUMB AND 65 INCHES FROM THE WALLS. RODS SHALL EXTEND 6 INCHES ABOVE THE VAULT FLOOR.
4	INSTALL FURNITURE WEATHERPROOF CLEAR DOCUMENT ENCLOSURE BOX ON THE VAULT WALL NEAR THE LIGHT SWITCH OR THE THERMOSTAT. THE DOCUMENT ENCLOSURE SHALL BE ADEQUATE FOR PERMANENTLY STORING 8-10 BY 11 INCH DOCUMENTS.
5	SURFACE MOUNTED PLASTIC LAMP HOLDER (COPPER FINISH S174M) AT 8 FEET ABOVE FINISHED FLOOR. FURNISH AND INSTALL LAMP FOR THE FIXTURES (TOP 300W DIA).
13	20V THERMO STAT FROM EXHAUST FAN TO BE MOUNTED ON ROOF ABOVE.
44	INSTALL HOMERUN JUNCTION BOX AT 42" AFF. JUNCTION BOX SHALL BE 4-INCH SQUARE STEEL AND FURNISHED WITH COVERPLATES. LIGHT FIXTURES SHALL BE CONNECTED TO ONE CIRCUIT INCLUDING DECATED HOT, NEUTRAL, AND GROUND CONDUCTORS. RECEPTACLES SHALL BE CONNECTED TO A SEPARATE CIRCUIT INCLUDING DECATED HOT AND NEUTRAL CONDUCTORS. LIGHTING AND RECEPTACLE CIRCUIT SHALL BE INSTALLED USING DIFFERENT COLORED JACKET TO DISTINGUISH THE HOT AND NEUTRAL CONDUCTORS FOR EACH CIRCUIT. PROVIDE 2 FT OF EXTRA CONDUIT FOR LENGTH AT HOMERUN JUNCTION BOX FOR FINAL CONNECTION BY SCL. COORDINATE EXACT LOCATION WITH SCL.
50	PROVIDE EXTERIOR FUTURE PLYMER SOCKET.

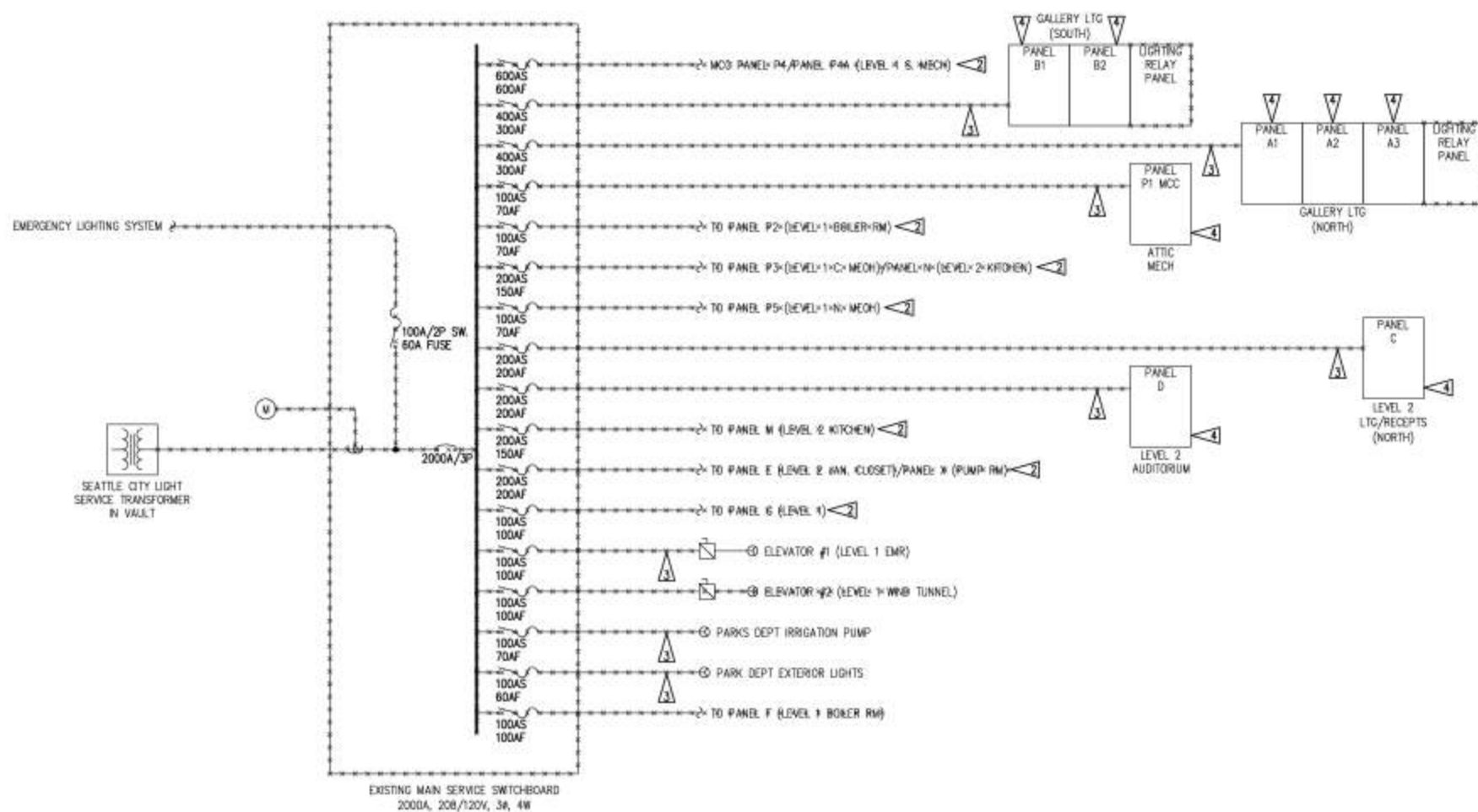
- SCL VAULT GENERAL NOTES:**
- CONDUIT SHALL ENTER THE VAULT PERPENDICULAR TO THE VAULT WALL NO MORE THAN 18 INCHES FROM A CORNER.
 - CONDUITS ENTERING THE SAME WALL CORNER BUT ON ADJACENT WALLS SHALL BE STAGGERED AND NOT ENTER ON THE SAME ELEVATION.
 - CONDUITS ENTERING THROUGH THE FLOOR SHALL EXTEND 8-10 INCHES ABOVE THE FLOOR.
 - FIRE SEAL, THE CABLE INSTALLED IN CONDUIT FOR A THREE-HOUR RATING USING RATED GROUT OR FIRE-BARRIER GULF IN ORDER TO PROTECT INTACTNESS OF FIRE, SMOKE AND GAS.



PRINTED 6/22/2017 4:07:18 PM

FLAG NOTES:

- 1. DEMOLISH EXISTING SWITCHBOARD ENCLOSURE AND MAINTAIN FEEDER PATHWAYS AS ALLOWABLE FOR NEW FEEDERS SHOWN ON SHEET E802.
- 2. DEMOLISH EXISTING PANEL AND FEEDER BACK TO SOURCE.
- 3. DEMOLISH EXISTING FEEDER BACK TO SOURCE. PROVIDE NEW FEEDER AS SHOWN ON SHEET E802.
- 4. EXISTING PANEL TO BE REPLACED IN KIND. REFER TO SHEET E802 FOR NEW SERVICE PANEL UPSTREAM.



Printed: 6/23/17 10:42:29 AM



400 R. Ingle Avenue, N. Suite 420
Seattle, Washington 98109-8802
(206) 667-9526

801 Second Avenue, Suite 501
Seattle, Washington 98104
T 206 662 3460
F 206 343 9398
www.lmnarchitects.com

SOCI User Only



Asian Art Museum Expansion & Renovation

Volunteer Park / 1400 E Prospect /
Seattle, WA 98112

Submit

Revisions

No.	Date	By	Description

Sheet

Title

Sheet

Number

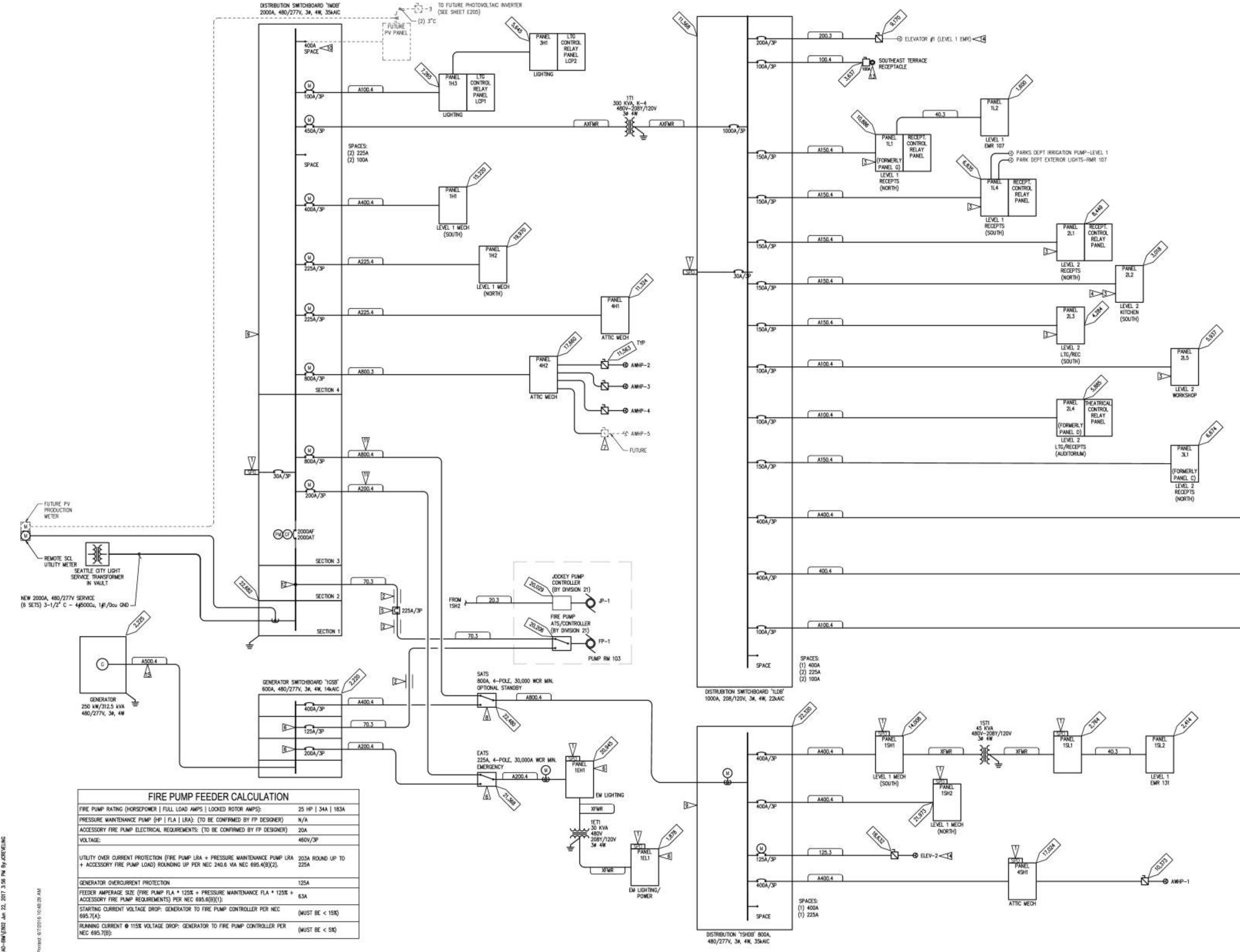
FOR REFERENCE ONLY

Drawn: NH
Checked: DF
LMN Proj No: 16026.01
Date: 6/23/17

Demo Power
One Line
Diagram

E801

Construction Documents



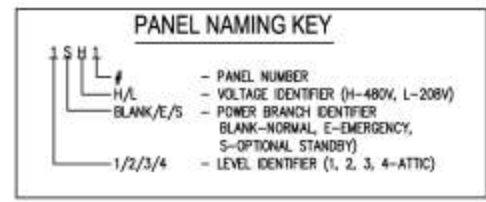
GENERAL NOTES:

1. ALL FEEDERS SHALL BE MC CABLE UNLESS NOTED OTHERWISE.
2. REFER TO E2-SERIES FOR ADDITIONAL EQUIPMENT INFORMATION.
3. PROVIDE GROUNDING SYSTEM IN COMPLIANCE WITH NEC ARTICLE 250 AND LOCAL JURISDICTION REQUIREMENTS. REFER TO SPECIFICATION 260528 'GROUNDING AND BONDING FOR ELECTRICAL SYSTEMS' FOR ADDITIONAL REQUIREMENTS.

FLAG NOTES:

- PROVIDE SURGE PROTECTION DEVICE ON PANEL. PROVIDE BREAKER PER MANUFACTURER'S REQUIREMENT.
- FIRE PUMP FEEDER SHALL BE ROUTED OUTSIDE OF BUILDING OR CONCRETE ENCASED BETWEEN SOURCE EQUIPMENT AND FIRE PUMP ROOM.
- PROVIDE CODE REQUIRED SUBMETERING DEFINED IN THE 2015 SEATTLE ENERGY CODE.
- SUB METER REQUIRED IF KITCHEN LOADS EXCEED 50kVA.
- FIRE PUMP CIRCUIT BREAKER SUITABLE FOR USE AS SERVICE ENTRANCE RATED EQUIPMENT SHALL BE MOUNTED IN DEDICATED WALL-MOUNTED ENCLOSURE. PROVIDE LABELING AS REQUIRED BY NEC 230.2(E).
- PROVIDE CODE REQUIRED (NEC 700.28) OVERCURRENT PROTECTIVE DEVICES TO COMPLY WITH SELECTIVE COORDINATION DOWN TO 0.1 SECONDS. PROVIDE BREAKERS PER SHORT CIRCUIT/COORDINATION STUDY. CONFIRM ROOM SIZE AND LAYOUT OF ELECTRICAL ROOM PRIOR TO ORDERING AND INSTALLATION. LIFE SAFETY DISCONNECTS ARE PHYSICALLY SEPARATED FROM THE LEGALLY REQUIRED DISCONNECTS PER NEC 700.
- PROVIDE EMPTY CONDUIT FROM SOURCE PANEL TO FUTURE EQUIPMENT LOCATION. STUB CONDUIT THRU ROOF SLAB AND CAP.
- STANDBY LOADS ARE TO BE LIMITED BY THE BUILDING AUTOMATION SYSTEM CONTROL SEQUENCES DURING LOSS OF UTILITY POWER. ADDITIONALLY, GENERATOR SHALL ACTIVATE LOAD SHED SEQUENCE WHEN GENERATOR METER RELAY EXCEEDS HIGH SET POINT LOAD CONDITION TO INSURE MAINTAINED OPERATION OF NEC 700 AND 701 LOADS. REFER TO SPECIFICATION SECTIONS 262313 ENGINE GENERATORS AND 262300 TRANSFER SWITCHES FOR ADDITIONAL INFORMATION.
- SWITCHBOARD SHALL BE INTERNALLY BRACED TO ALLOW THE GEAR TO ORIENT HORIZONTALLY DURING INSTALLATION SUCH THAT IT CAN BE ROUTED INTO ELECTRICAL ROOM 102/104 THROUGH A 48" x 64" OPENING.
- DEDICATED SPACE FOR MOUNTING OF FUTURE CIRCUIT BREAKER FOR PHOTOVOLTAIC SYSTEM PER SEATTLE ENERGY CODE C412.8.1.
- ROUTE FEEDER UNDERGROUND FROM SWITCHBOARD 'MDB' SECTION 3 TO EQUIPMENT DOWNSTREAM.
- DEDICATED FIRE PUMP TAP SWITCHBOARD SECTION PER NEC 695.3(A)(1). PROVIDE LABELING PER NEC 230.2(E).
- RECEPTACLE SHALL HAVE A MINIMUM SHORT CIRCUIT CURRENT RATING OF 6,000 AC.
- ELEVATOR IS NOT TO BE USED AS AN ACCESSIBLE MEAN OF EGRESS.
- GENERATOR IS PROTECTED FROM OVERLOADS BY INHERENT DESIGN. CONDUCTORS FROM THE OUTPUT TERMINALS OF THE GENERATOR TO THE DOWNSTREAM SWITCHBOARD ARE SIZED AT 115% OF FULL LOAD CURRENT OF THE GENERATOR PER NEC 445.13.

FIRE PUMP FEEDER CALCULATION	
FIRE PUMP RATING (HORSEPOWER FULL LOAD AMPS LOCKED ROTOR AMPS):	25 HP 34A 183A
PRESSURE MAINTENANCE PUMP (HP FLA LRA): (TO BE CONFIRMED BY FP DESIGNER)	N/A
ACCESSORY FIRE PUMP ELECTRICAL REQUIREMENTS: (TO BE CONFIRMED BY FP DESIGNER)	20A
VOLTAGE:	480V/3P
UTILITY OVER CURRENT PROTECTION (FIRE PUMP LRA + PRESSURE MAINTENANCE PUMP LRA + ACCESSORY FIRE PUMP LOAD) ROUND UP PER NEC 240.6 VIA NEC 695.4(B)(2).	203A ROUND UP TO 225A
GENERATOR OVERCURRENT PROTECTION	125A
FEEDER AMPERAGE SIZE (FIRE PUMP FLA * 125% + PRESSURE MAINTENANCE FLA * 125% + ACCESSORY FIRE PUMP REQUIREMENTS) PER NEC 695.6(B)(1):	63A
STARTING CURRENT VOLTAGE DROP: GENERATOR TO FIRE PUMP CONTROLLER PER NEC 695.7(A):	(MUST BE < 15%)
RUNNING CURRENT @ 115% VOLTAGE DROP: GENERATOR TO FIRE PUMP CONTROLLER PER NEC 695.7(B):	(MUST BE < 5%)



Printed: 6/7/2016 10:40:29 AM



400 R. Ingle Avenue, N. Suite 420
Seattle, Washington 98109-8802
(206) 467-4520



Asian Art Museum Expansion & Renovation
Volunteer Park | 1400 E. Prospect | Seattle, WA 98112

Revisions			
No.	Date	By	Description

Construction Documents

FOR REFERENCE ONLY

Drawn: R8
Checked: DF
LMN Proj No: 16026.01
Date: 6/23/17

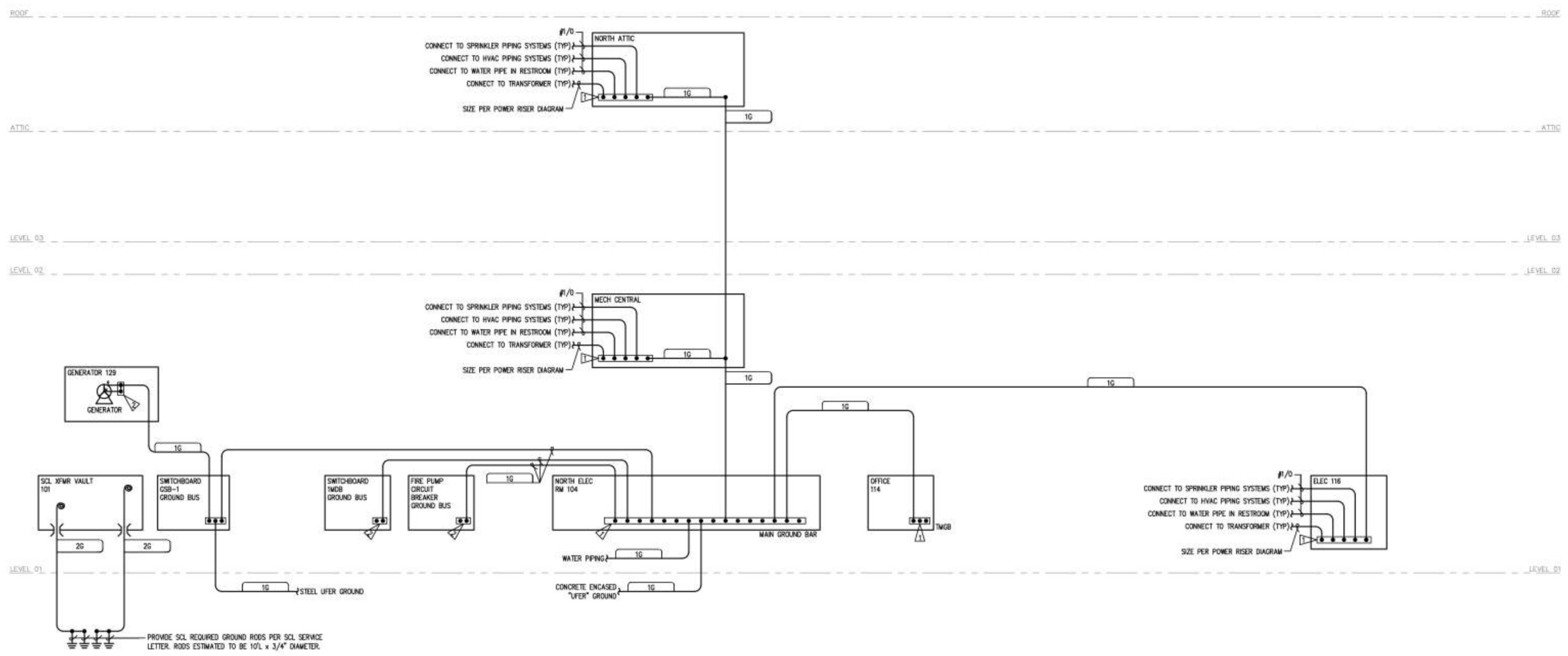
New Power
One Line
Diagram

E802

FLAG NOTES:

- ▷ GROUND BAR
- ▷ PROVIDE NEUTRAL GROUND BOND PER NEC 250.102.

GROUND WIRE SCHEDULE	
1G	(1) #3/0 BARE COPPER
2G	(1) 500kcmil THWN COPPER



\\s325-rtv\morgansp\proj\ACTIVE\06081316\10-00-00\004.dwg 22, 2017 3:58 PM By: JRE/CLM

Printed: 6/7/2016 10:42:29 AM

LMN Architecture
Urban Design
Interiors

801 Second Avenue, Suite 501
Seattle, Washington 98104
T 206 662 3460
F 206 343 9396
www.lmnarchitects.com

Stantec

400 Rivierview Avenue N Suite 420
Seattle Washington 98109-8802
(206) 667-6526

SOCI User Only

SAM ASIAN
ART
MUSEUM

Asian Art Museum Expansion & Renovation

Volunteer Park / 1400 E Prospect /
Seattle, WA 98112

Submital

Construction
Documents

Revisions			
No.	Date	By	Description

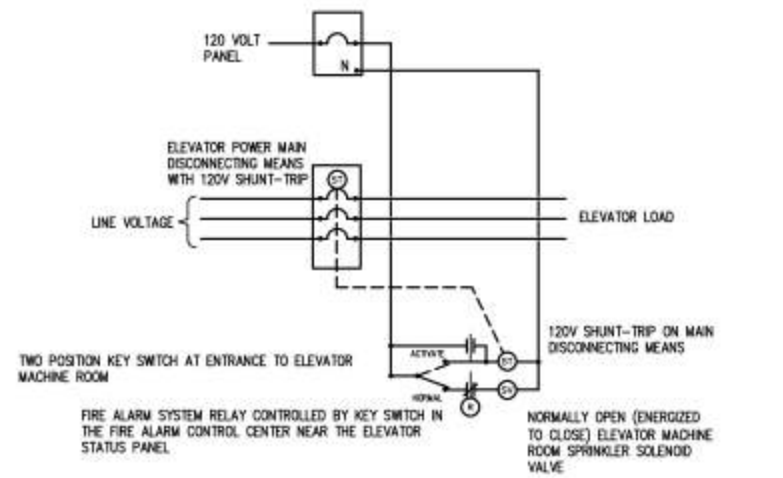
Sheet Title	Sheet Number

FOR REFERENCE ONLY

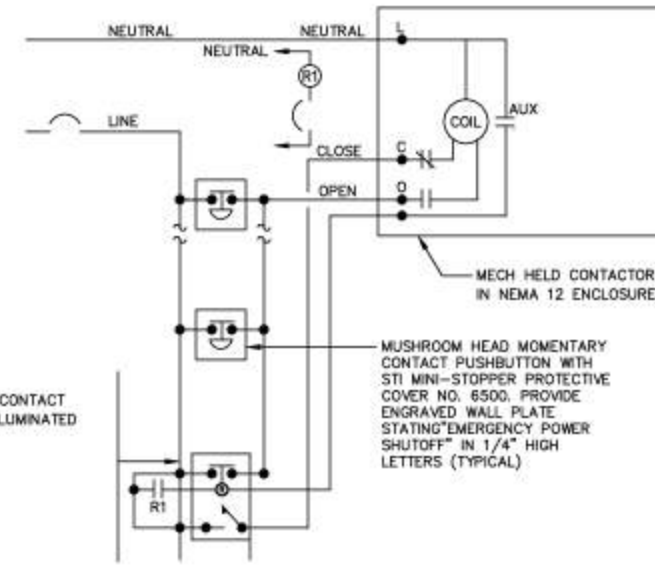
Drawn	MH
Checked	DF
LMN Proj No	16026.01
Date	6/23/17

Grounding
Riser Diagram

E804

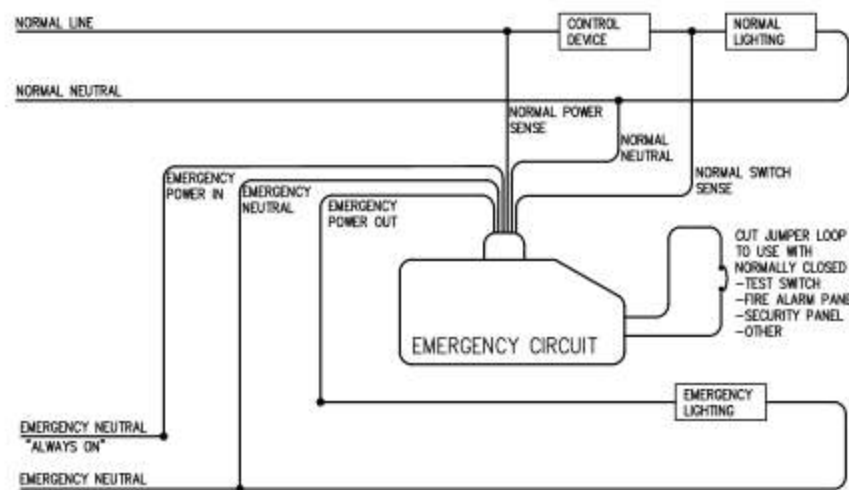


5 ELEVATOR/SPRINKLER CONTROL DIAGRAM
E901 SCALE: NOT TO SCALE

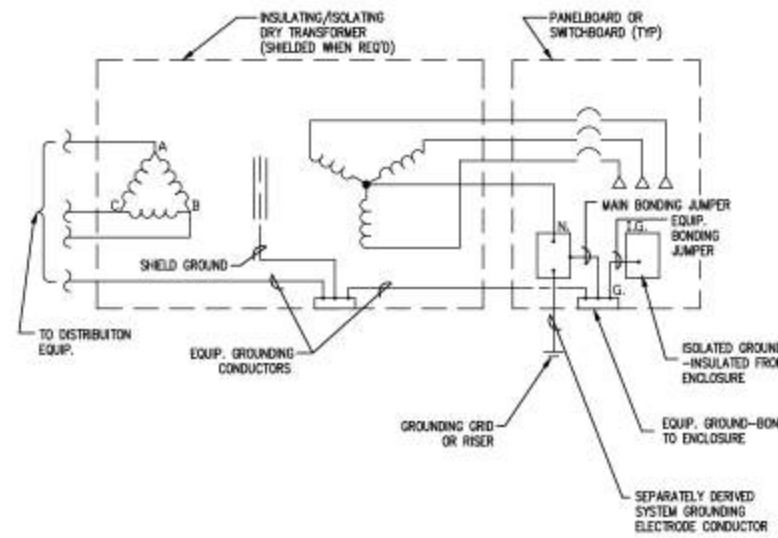


- NOTES:
1. QUANTITIES OF CONTROL STATIONS SHALL BE AS NOTED ON THE DRAWINGS.
 2. PROVIDE (2) #12 WIRING IN 1/2" CONDUIT AS INDICATED IN DIAGRAM FROM CONTROL STATIONS TO CONTACTOR. WIRING IS NOT INDICATED ON FLOOR PLANS.

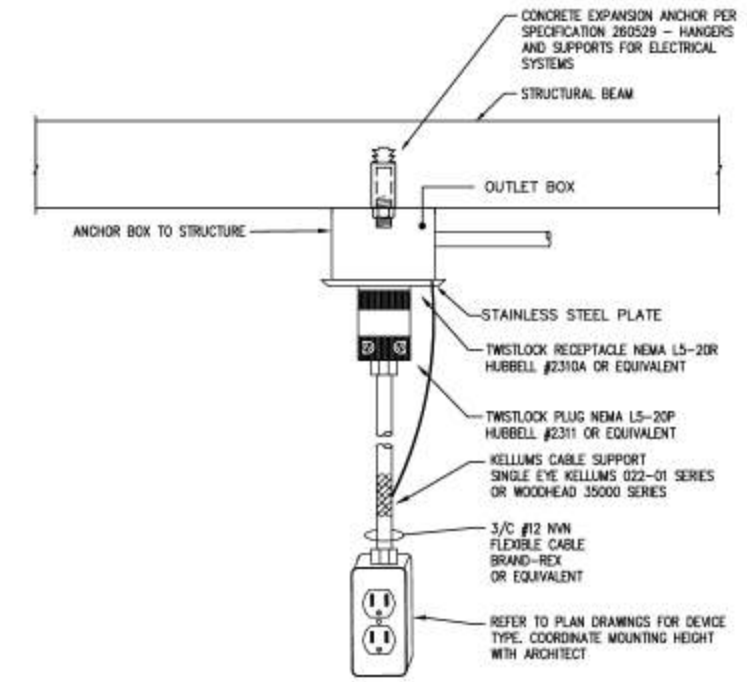
3 WORKSHOP EQUIPMENT EPO DIAGRAM
E901 SCALE: NOT TO SCALE



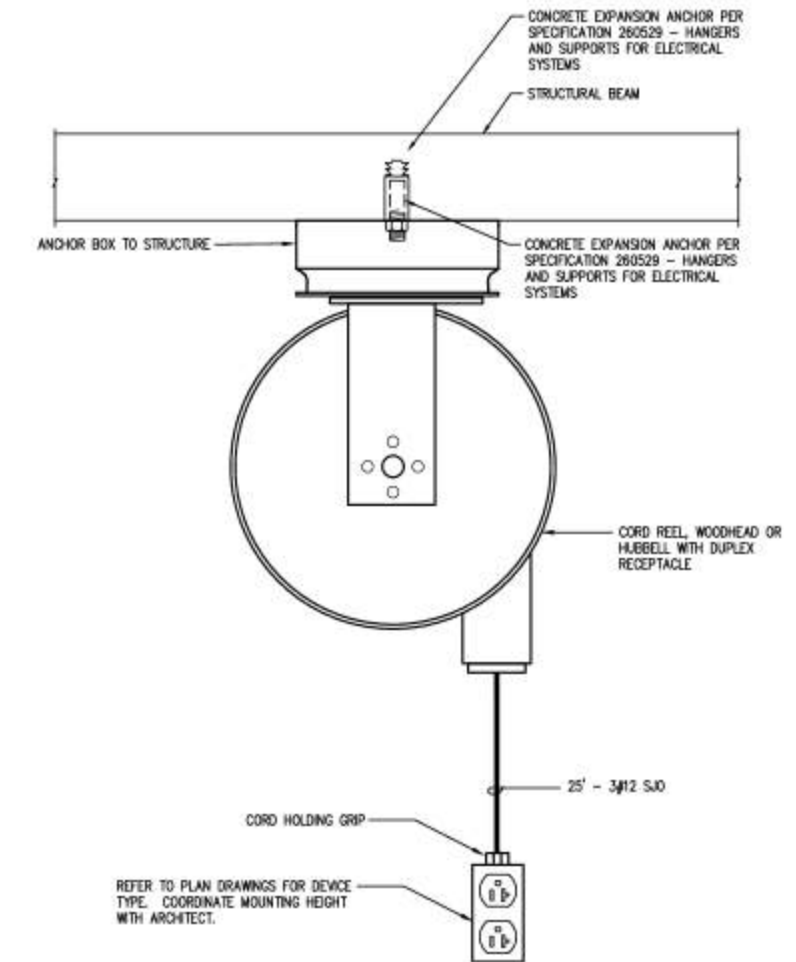
5 EMERGENCY LIGHTING CONTROL UNIT
E901 SCALE: NOT TO SCALE



4 TRANSFORMER GROUNDING DIAGRAM
E901 SCALE: NOT TO SCALE



1 CORD DROP DETAIL
E901 SCALE: NOT TO SCALE

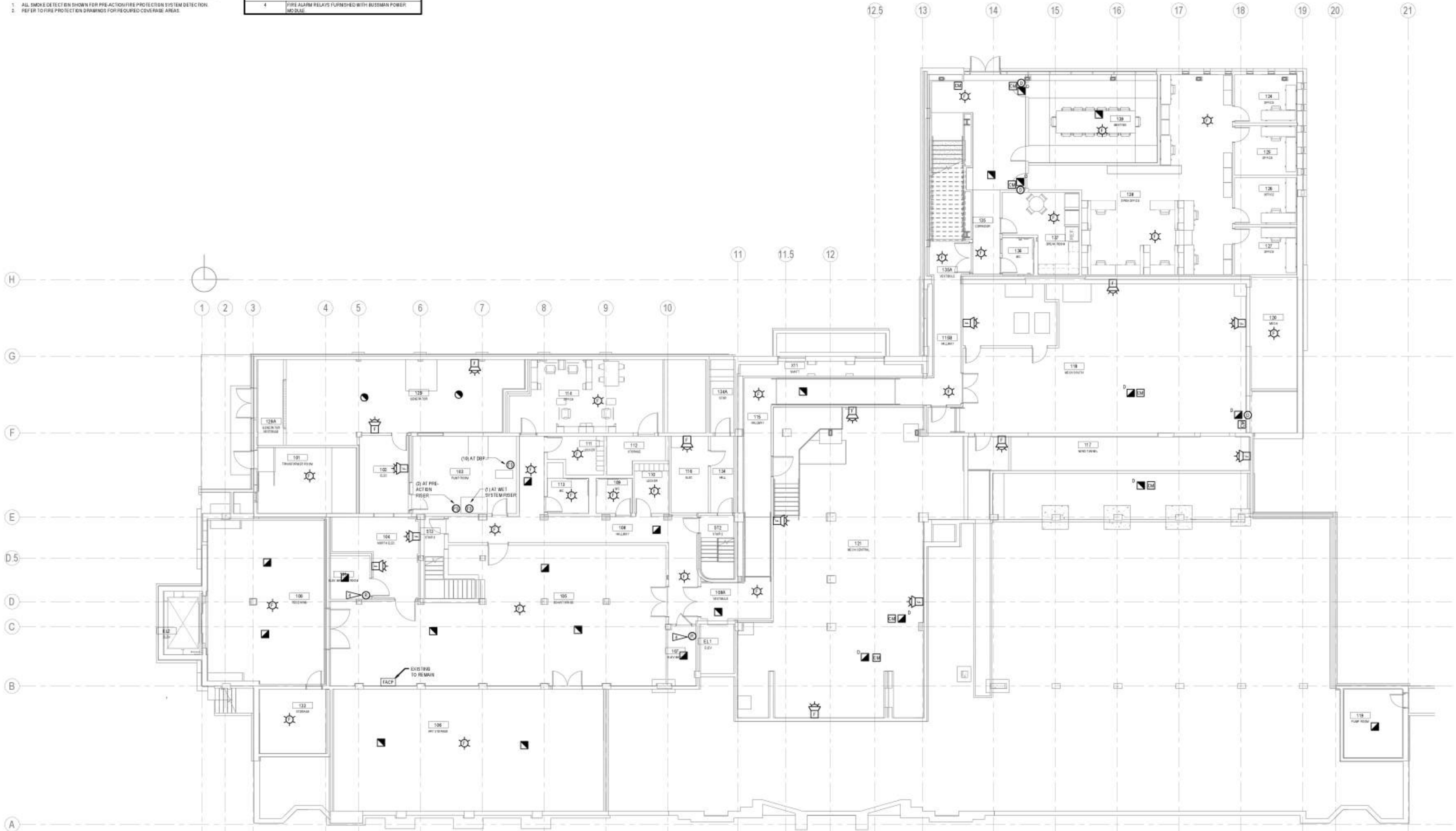


2 CORD REEL ASSEMBLY DETAIL
E901 SCALE: NOT TO SCALE

FIRE ALARM GENERAL NOTES

1. ALL SMOKE DETECTORS SHOWN FOR FIRE ACTION/FIRE PROTECTION SYSTEM DETECTION.
2. REFER TO FIRE PROTECTION DRAWINGS FOR REQUIRED COVERAGE AREAS.

#	Flag Notes
4	FIRE ALARM RELAYS FURNISHED WITH BUSSEMAN POWER MODULE.



1 Fire Alarm Floor Plan - Level 1
 FA201 1/8" = 1'-0"

PRINTED 6/22/2017 4:07:26 PM



SDCI Use Only



Asian Art Museum Expansion & Renovation
 Volunteer Park / 1400 E Prospect / Seattle, WA

Submitted

Revisions	No.	Date	Description

Construction Documents

FOR REFERENCE ONLY

Drawn: [Name]
 Checked: [Name]
 LMN Proj No: 16026.01
 Date: 6/23/17

Fire Alarm Floor Plan - Level 1

FA201

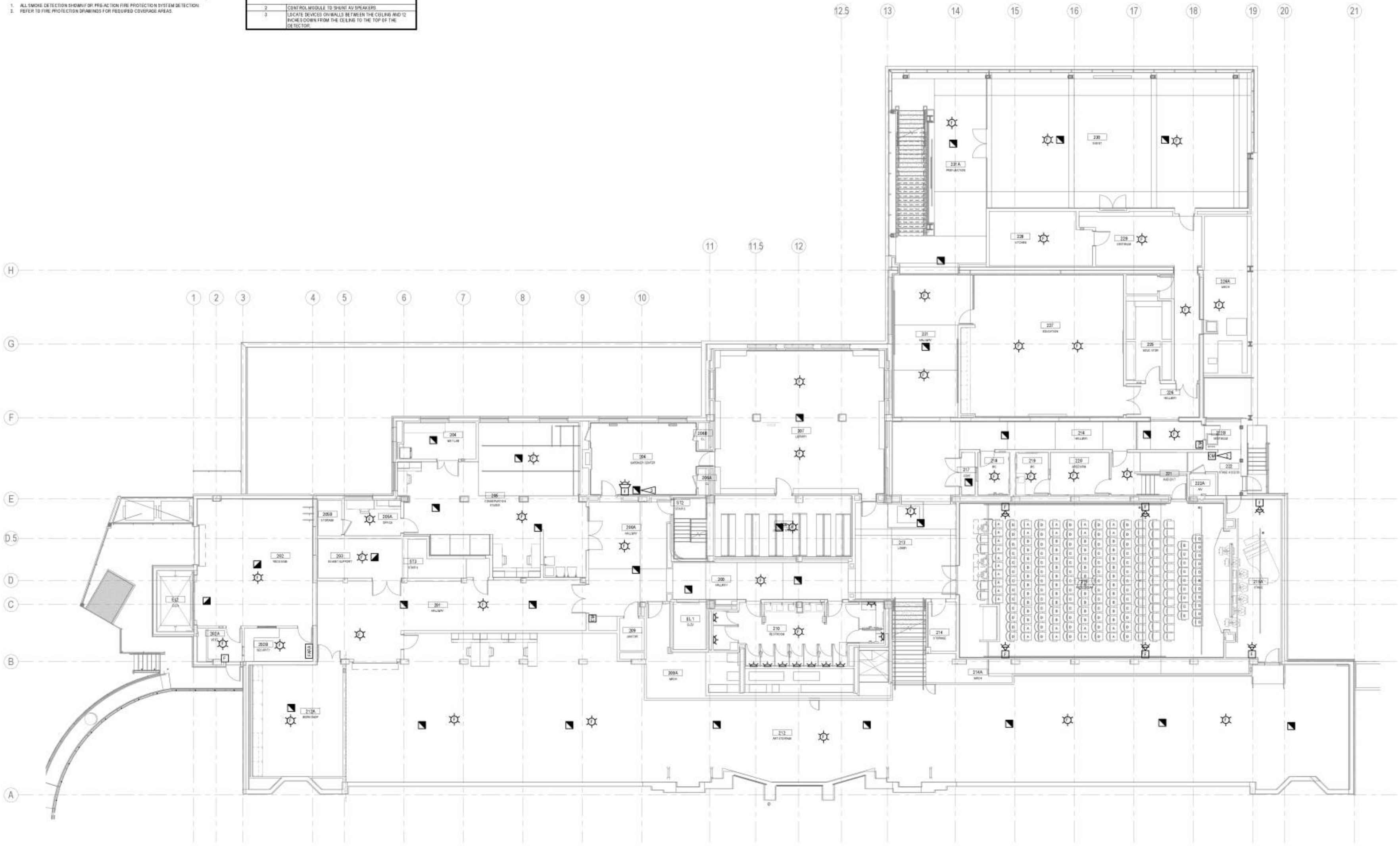
801 Second Avenue, Suite 501
 Seattle, Washington 98104
 T 206 692 3460
 F 206 343 9388
 www.lmnarch.com

400 Franklin Avenue N Suite 620
 Seattle, Washington 98109-4902
 (206) 457-0555

FIRE ALARM GENERAL NOTES

1. ALL SMOKE DETECTION SHOWN ON PRE-ACTION FIRE PROTECTION SYSTEM DETECTION.
2. REFER TO FIRE PROTECTION DRAWINGS FOR REQUIRED COVERAGE AREAS.

#	Flag Notes
1	CONTROL MODULE TO SHUNT ALL SPEAKERS
2	LOCATE DEVICES ON WALLS BETWEEN THE CEILING AND 12 INCHES DOWN FROM THE CEILING TO THE TOP OF THE DETECTOR



1 Fire Alarm Floor Plan - Level 2
1/8" = 1'-0"

PRINTED 6/22/2017 4:07:43 PM



LMN Architecture
Urban Design
Interiors

801 Second Avenue, Suite 501
Seattle, Washington 98104
T 206 692 3460
F 206 343 9388
www.lmnarch.com

Stantec

400 Franklin Avenue N Suite 620
Seattle, Washington 98109-4902
(206) 467-0555

SDCI Use Only

SAM ASIAN
ART
MUSEUM

Asian Art Museum Expansion & Renovation
Volunteer Park / 1400 E Prospect /
Seattle, WA

Submital

Construction Documents

Revisions
No. Date Description

FOR REFERENCE ONLY

Drawn
Checked
LMN Proj No.
Date

Author
Checker
16026.01
6/23/17

Sheet Title
Fire Alarm Floor Plan - Level 2

Sheet Number
32

FA202

FIRE ALARM GENERAL NOTES

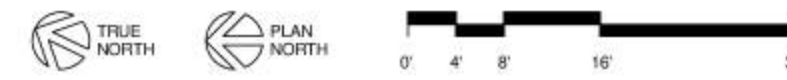
1. ALL SMOKE DETECTORS SHOWN FOR PRE-ACTION FIRE PROTECTION SYSTEM DETECTION.
2. REFER TO FIRE PROTECTION DRAWINGS FOR REQUIRED COVERAGE AREAS.

#	Flag Notes
1	RE-USE EXISTING BOX AND PATHWAY BACK TO ACCESSIBLE LOCATION



1 Fire Alarm Floor Plan - Level 3
1/8" = 1'-0"

PRINTED 6/22/2017 4:07:29 PM



400 Franklin Avenue N Suite 620
Seattle, Washington 98109-4902
(206) 467-2555

SDCI Use Only



Asian Art Museum Expansion & Renovation
Volunteer Park / 1400 E Prospect / Seattle, WA

Submital

Construction Documents

Revisions
No. Date Description

FOR REFERENCE ONLY

Drawn: [Name]
Checked: [Name]
LMN Proj No: 16026.01
Date: 6/23/17

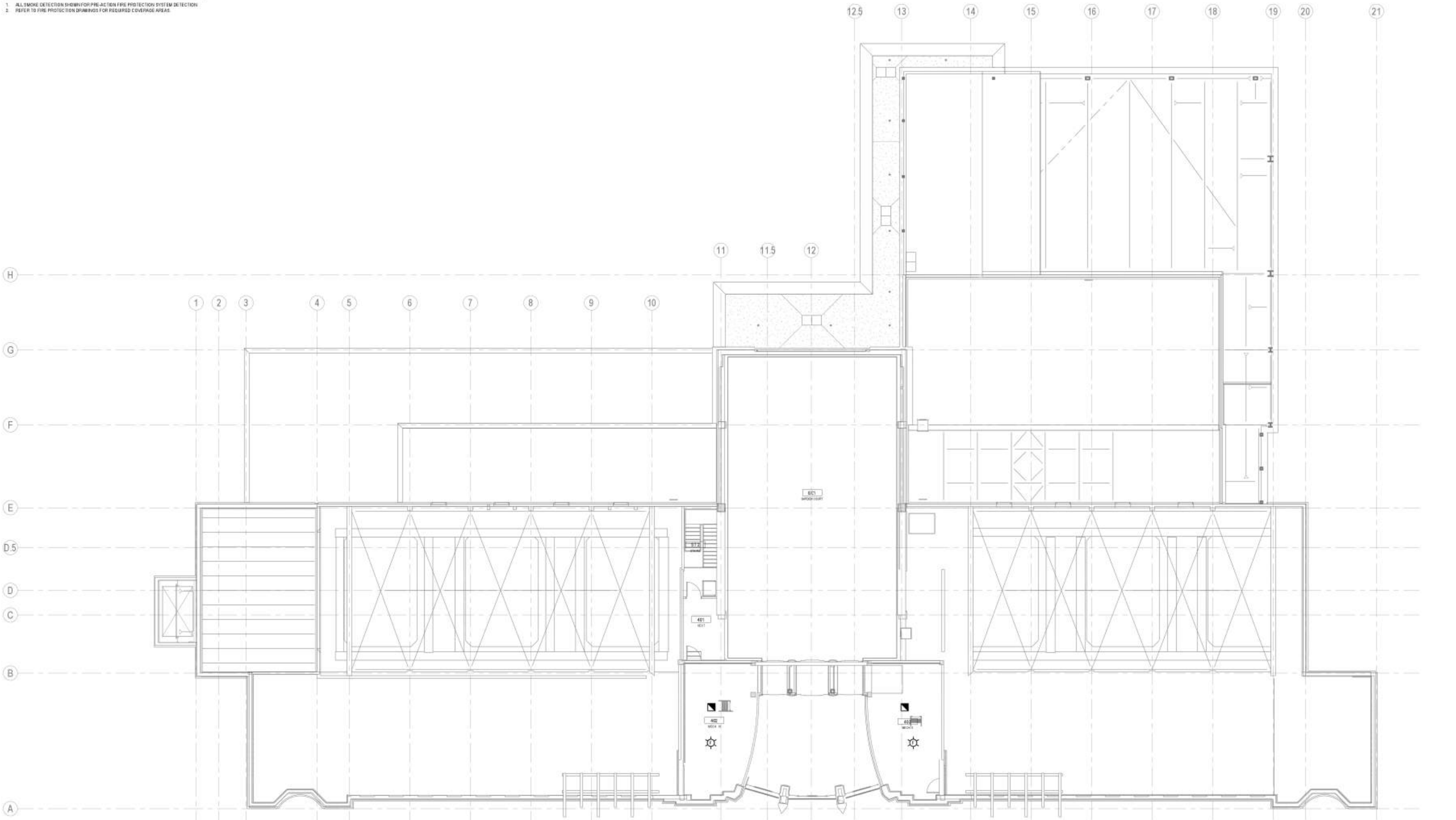
Fire Alarm Floor Plan - Level 3

FA203

801 Second Avenue, Suite 501
Seattle, Washington 98104
T 206 692 3460
F 206 343 9388
www.lmnarch.com

FIRE ALARM GENERAL NOTES

1. ALL SMOKE DETECTION SHOWN FOR PRE-AC-TION FIRE PROTECTION SYSTEM DETECTION.
2. REFER TO FIRE PROTECTION DRAWINGS FOR REQUIRED COVERAGE AREAS.



1 Fire Alarm Floor Plan - Level 4 Attic
1/8" = 1'-0"

PRINTED 6/22/2017 4:08:11 PM



LMN Architecture
Urban Design
Interiors
801 Second Avenue, Suite 501
Seattle, Washington 98104
T 206 692 3460
F 206 343 9388
www.lmnarch.com

Stantec
400 Fairview Avenue N Suite 620
Seattle, Washington 98109-4902
(206) 467-2555

SDCI Use Only

SAM ASIAN ART MUSEUM

Asian Art Museum Expansion & Renovation
Volunteer Park / 1400 E Prospect /
Seattle, WA

Submitted

Construction Documents

Revisions	No.	Date	Description

Sheet Title	Sheet Number

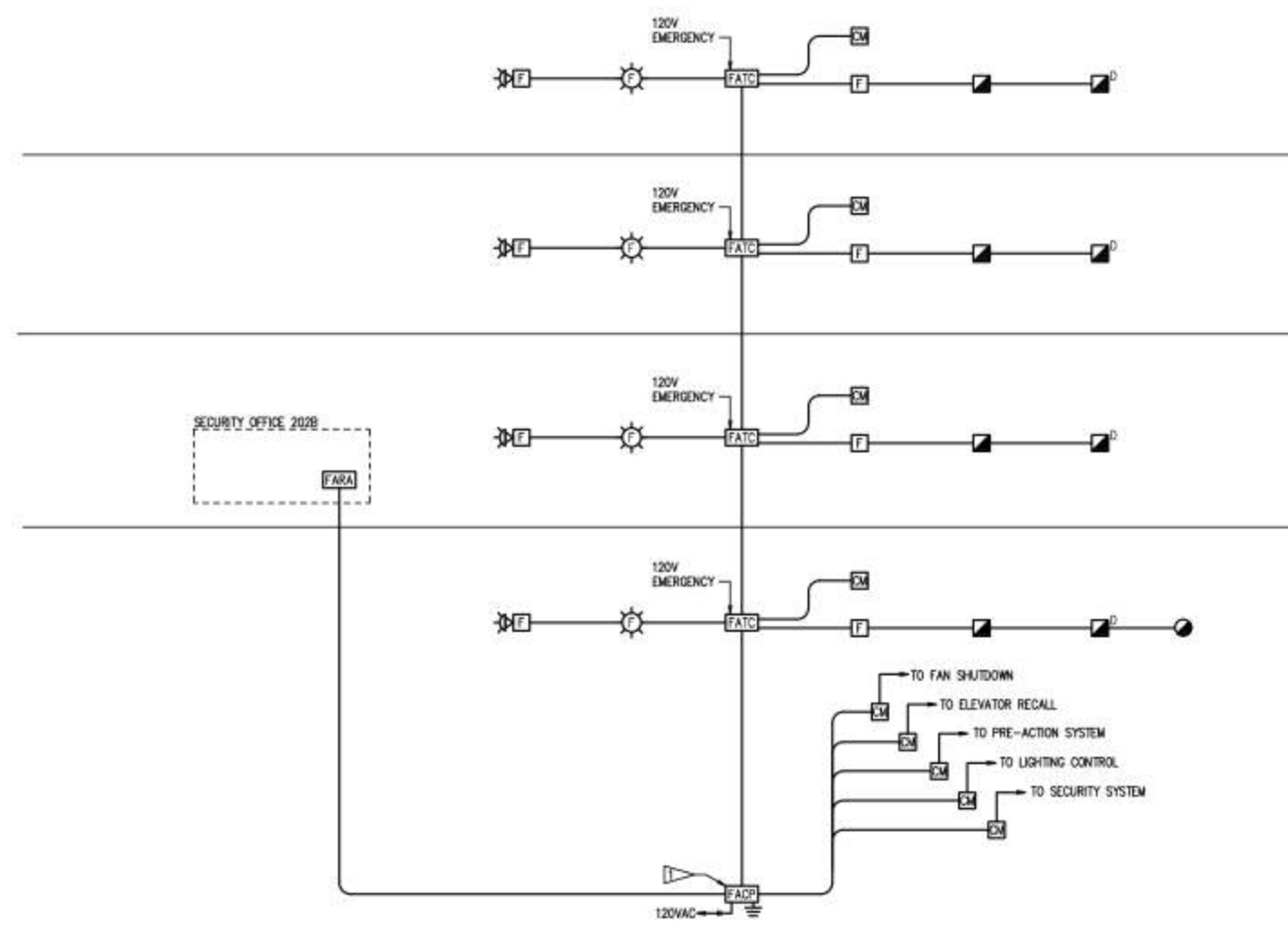
FOR REFERENCE ONLY

Drawn: Author:
Checked: Checker:
LMN Proj No: 16026.01
Date: 6/23/17

Fire Alarm Floor Plan - Level 4 Attic

FA204

FLAG NOTES:
 ▢ EXISTING FACP TO REMAIN.



Printed: 6/22/2016 10:42:29 AM

LMN Architecture
 Urban Design
 Interiors
 801 Second Avenue, Suite 501
 Seattle, Washington 98104
 T 206 662 3460
 F 206 343 9395
 www.lmnarchitects.com

Stantec
 400 Rialto Avenue, N. Suite 420
 Seattle, Washington 98109-8802
 (206) 667-9526

SOCI Use Only

SAM ASIAN
 ART
 MUSEUM

Asian Art Museum Expansion & Renovation
 Volunteer Park / 1400 E Prospect /
 Seattle, WA 98112

Submital

Construction
 Documents

Revisions

No.	Date	By	Description

Sheet

Title

Sheet

Number

FOR REFERENCE ONLY

Drawn: NH
 Checked: DF
 LMN Proj No: 16026.01
 Date: 6/23/17

New Fire Alarm
 One Line
 Diagram

FA801

SYMBOLS AND ABBREVIATIONS

TELECOM

- ▼ OUTLET (WALL MOUNTED)
- ▼ OUTLET (FLOOR, FLUSH MOUNTED)
- ▼ OUTLET (CEILING MOUNTED)
- WAP WIRELESS ACCESS POINT, (2) CAT6 CABLES WITH 20' COIL

TELECOM OUTLET TYPES

- ▼ # INDICATES QUANTITY OF DATA JACKS. PULLSTRING ALWAYS PROVIDED. WHERE NO QUANTITY IS NOTED, (2) CAT6 CABLES, JACKS AND PULLSTRINGS.
- ▼ AC MOUNTED 3" ABOVE COUNTER BACKSPLASH
- ▼ W TELEPHONE HANSET OUTLET (WALL MOUNTED)
- ▼ TC TIMECLOCK

TELECOM - MISCELLANEOUS

- CABLE TRAY WITH FLANGE SIDE RAILS AND LADDER RUNGS
- RUNWAY CABLE TRAY
- J BUNDLED CABLE SUPPORT, J-HOOK SYSTEM
- TELECOMMUNICATIONS GROUNDING BAR
- TELECOMMUNICATIONS MAIN GROUNDING BAR

CIRCUITS

- EXISTING RACEWAY (IF HASH MARKS ARE SHOWN, PULL NEW CONDUCTORS)
- RACEWAY BELOW SLAB OR UNDERGROUND
- RACEWAY UP
- RACEWAY DOWN
- RACEWAY STUB-OUT WITH BUSHING
- CIRCUIT CONTINUATION
- JUNCTION BOX
- PULL BOX

ELECTRONIC SECURITY

DEVICES SHOWN ARE CONDUIT AND BACKBOX ONLY, UON

- DEVICE IDENTIFICATION
- CCTV CAMERA, FIXED POSITION, (1) CAT6 CABLE
- ACP ACCESS CONTROL PANEL
- CR CARD READER
- CRK CARD READER/KEYPAD COMBINATION
- DA DURESS ALARM BUTTON
- DS DOOR CONTACT SWITCH
- GS GLASS BREAK SENSORS
- EL ELECTRIC LOCK
- ES ELECTRIC STRIKE
- ELR ELECTRIC LATCH RETRACTION
- IAI INTRUSION ARM/DISARM
- IDP INTRUSION DETECTION PANEL
- MI MASTER INTERCOM STATION, AUDIO ONLY
- SI SLAVE INTERCOM STATION, AUDIO ONLY
- KP KEYPAD
- MD MOTION DETECTOR (CEILING MOUNTED)
- PPS POWER SUPPLY PANEL

WORK DEFINITION

- FLAG NOTE
- REVISION IDENTIFICATION
- EQUIPMENT IDENTIFICATION
- EQUIPMENT IDENTIFICATION
- DETAIL REFERENCE
- DETAIL REFERENCE W/ORIGINATING SHEET REFERENCE
- SECTION REFERENCE
- SECTION REFERENCE W/ORIGINATING SHEET REFERENCE
- ELEVATION REFERENCE
- PROJECT NORTH REFERENCE
- PROJECT NORTH REFERENCE W/TRUE NORTH REFERENCE
- NEW WORK
- EXISTING
- DEMO

SHEET INDEX

- T000 TELECOM SYMBOLS AND ABBREVIATIONS
- T101 TELECOM FLOOR PLAN - LEVEL 1 DEMO
- T102 TELECOM FLOOR PLAN - LEVEL 2 DEMO
- T103 TELECOM FLOOR PLAN - LEVEL 3 DEMO
- T104 TELECOM FLOOR PLAN - LEVEL 4 ATTIC DEMO
- T201 TELECOM FLOOR PLAN - LEVEL 1
- T202 TELECOM FLOOR PLAN - LEVEL 2
- T203 TELECOM FLOOR PLAN - LEVEL 3
- T204 TELECOM FLOOR PLAN - LEVEL 4 ATTIC
- T401 SECURITY INFRASTRUCTURE FLOOR PLAN - LEVEL 1
- T402 SECURITY INFRASTRUCTURE FLOOR PLAN - LEVEL 2
- T403 SECURITY INFRASTRUCTURE FLOOR PLAN - LEVEL 3
- T404 SECURITY INFRASTRUCTURE FLOOR PLAN - LEVEL 4 ATTIC
- T801 TELECOM RISERS
- T802 TELECOM DETAILS

GENERAL NOTES

- COMPLY WITH THE NATIONAL ELECTRICAL CODE AS ADOPTED AND AMENDED BY THE LOCAL AUTHORITY HAVING JURISDICTION.
- THE LOCATIONS OF COMMUNICATIONS DEVICES INDICATED ON ARCHITECTURAL PLANS ELEVATIONS OR SECTIONS TAKE PRECEDENCE OVER LOCATIONS INDICATED ON THE TELECOM DRAWINGS.
- REFER TO THE ARCHITECTURAL REFLECTED CEILING PLANS FOR EXACT LOCATIONS OF CEILING MOUNTED TELECOM DEVICES.

COMMUNICATIONS PATHWAY NOTES

- PROVIDED BY CONTRACTOR
- COMPLY WITH CURRENT EDITION OF NATIONAL ELECTRICAL CODE.
 - COORDINATE INSTALLATION OF CONDUITS, LOW VOLTAGE SYSTEMS CABLE SUPPORTS, AND CABLE TRAYS WITH OTHER COMPONENTS AND SYSTEMS EQUIPMENT INSTALLED WITHIN CEILING AREAS.
 - REFER TO SPECIFICATION DIVISIONS 26 AND 27 FOR INSTALLATION INSTRUCTIONS FOR CONDUITS, LOW VOLTAGE SYSTEMS CABLE SUPPORTS, CABLE TRAYS, PULL BOXES AND FLOOR BOXES.
 - MAINTAIN MINIMUM BEND RADIUS OF 10X O.D. FOR CONDUITS GREATER THAN OR EQUAL TO 2" DIAMETER. MAINTAIN MINIMUM BEND RADIUS OF 6X O.D. FOR CONDUITS GREATER THAN 1" DIAMETER BUT LESS THAN 2" DIAMETER.
 - REAM THE ENDS OF ALL CONDUITS AND INSTALL WITH A GROUNDING LOCKOUT AND PLASTIC BUSHING.
 - GROUND ALL CONDUITS AND CABLE TRAYS TO APPROPRIATE COMMUNICATIONS GROUNDING BUSBAR.
 - INSTALL AND LEAVE IN PLACE A NYLON PULL CORD IN ALL CONDUITS.
 - INSTALL CABLE TRAYS AT A MINIMUM OF 6" FROM CORRIDOR WALLS.
 - REFER TO MECHANICAL DRAWINGS FOR HVAC DUCTWORK AND PLUMBING ROUTING DETAILS AND COORDINATE WITH MECHANICAL CONTRACTOR PRIOR TO PERFORMING PATHWAY ROUGH-IN WORK.
 - THREE 90 DEGREE BENDS MAY BE ALLOWED IF TOTAL CONDUIT LENGTH IS NOT MORE THAN 33 FEET OR CONDUIT IS INCREASED TO NEXT TRADE SIZE. CONDUIT BENDS SHALL CONFORM TO ACCEPTED RADI FOR THE SIZE OF CONDUIT USED. THERE SHALL BE NO MORE THAN 270-DEGREES OF BEND IN ANY ONE CONDUIT RUN WITHOUT INCLUSION OF A PULL BOX.
 - ALL RACEWAYS, DEVICES AND JUNCTION BOXES IN CONCRETE AND CMU WALL SHALL BE FLUSH MOUNTED UNLESS OTHERWISE NOTED.
 - RACEWAYS SHALL NOT BE INSTALLED IN CONCRETE FLOOR OR CEILING SLABS EXCEPT WHERE SPECIFICALLY INDICATED.
 - REFER TO ARCHITECTURAL LIFE SAFETY PLANS FOR FIRE RATED WALLS.

COMMUNICATIONS OUTLET NOTES

- COMPLY WITH CURRENT EDITION OF THE NATIONAL ELECTRICAL CODE AND AIA GUIDELINES FOR HEALTHCARE 2010.
- THE LOCATIONS AND MOUNTING HEIGHT OF COMMUNICATION OUTLETS INDICATED ON ARCHITECTURAL PLANS, INTERIOR ELEVATIONS AND/OR SECTIONS TAKE PRECEDENCE OVER LOCATIONS INDICATED ON THE TELECOM DRAWINGS. COORDINATE BEFORE PERFORMING ROUGH-IN WORK.
- CONTRACTOR TO COORDINATE FINAL MOUNTING HEIGHT, LOCATION, & DIMENSIONS OF BDC, FIRE ALARM, SECURITY AND ELEVATOR COMMUNICATIONS OUTLETS IN THE FIELD WITH EQUIPMENT VENDOR PRIOR TO PERFORMING ROUGH-IN WORK.
- REFER TO ARCHITECTURAL FURNITURE AND CASEWORK PLANS FOR ROUTING OF CABLES BETWEEN CONDUIT INFED AND FINAL OUTLET LOCATIONS.

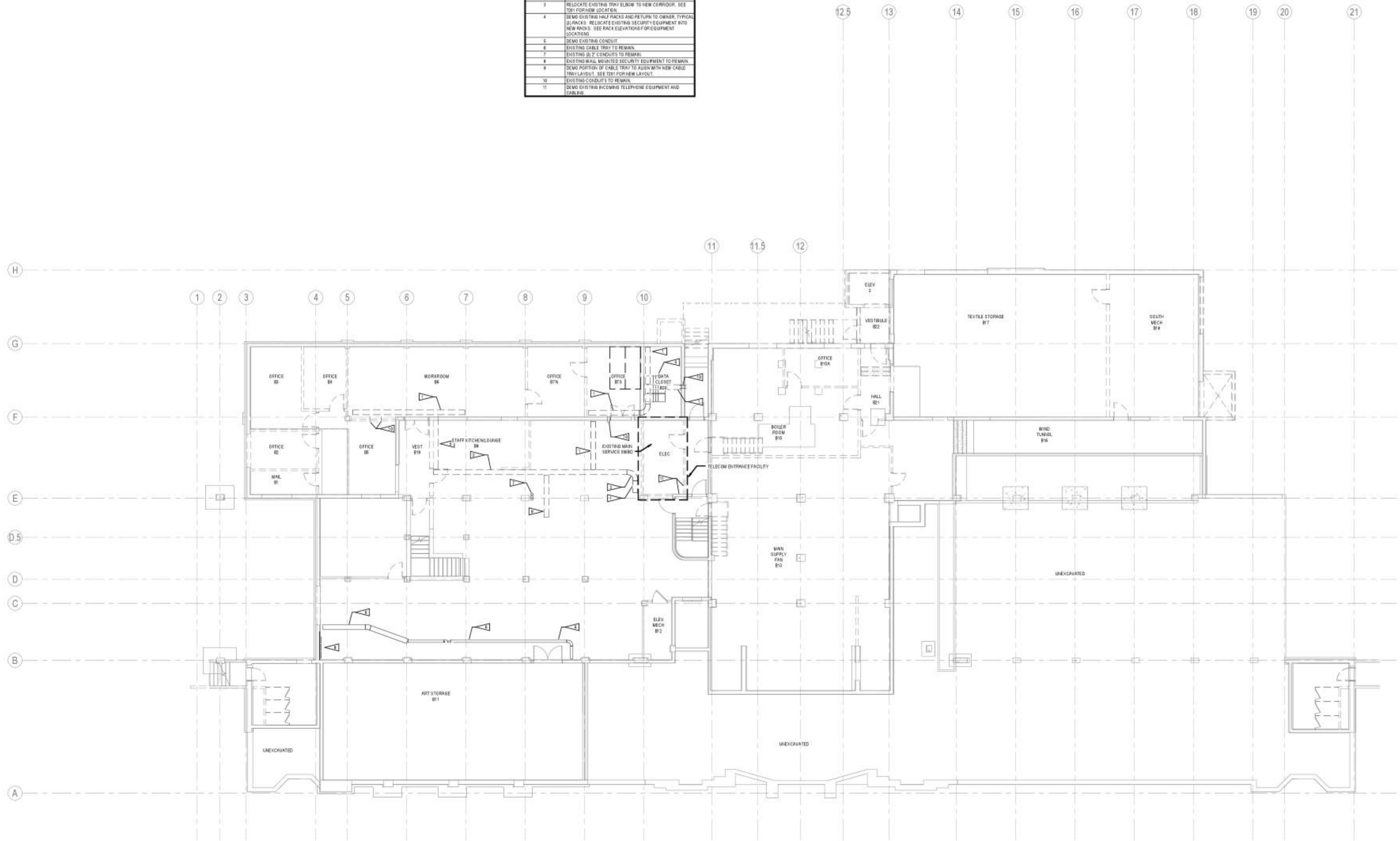
OUTLET MOUNTING HEIGHTS	
SPECIAL OUTLET HEIGHTS ARE SHOWN ON THE ELECTRICAL DRAWINGS OR ON THE ARCHITECTURAL DRAWINGS. IF SPECIAL OUTLET HEIGHTS ARE NOT SHOWN OR REQUIRED, THEN LOCATE OUTLETS AS NOTED BELOW. OUTLET HEIGHTS ARE MEASURED FROM THE FINISHED FLOOR TO THE CENTERLINE OF THE OUTLET UNLESS OTHERWISE NOTED.	
CARD READER	43 INCHES (1095 mm)
TELECOM OUTLET, STANDARD	18 INCHES (460 mm) VERTICALLY MOUNTED
TELECOM OUTLET, WALL PHONE	43 INCHES (1095 mm) VERTICALLY MOUNTED

ABBREVIATIONS

ABV	ABOVE	MCC	MOTOR CONTROL CENTER
AC	3" ABOVE COUNTER BACKSPLASH	MH	MANHOLE
ACH	ABOVE COUNTER HEIGHT	MM	MULTIMODE
AFF	ABOVE FINISHED FLOOR	MTD	MOUNTED
AG	ABOVE GRADE	NIC	NOT IN CONTRACT
AV	AUDIO/VISUAL	OPER	OPERATOR/OPERABLE
AWG	AMERICAN WIRE GAUGE	OPOI	OWNER PROVIDED OWNER INSTALLED
CLG	CEILING	PB	PULLBOX
CM	CEILING MOUNTED	POS	POSITION/POINT OF SALE
COMM	COMMUNICATIONS	PR	PAIR
C	CONDUIT	R	RACEWAY
CO	CONDUIT ONLY	RO	RACEWAY ONLY
CTRL	CONTROL	RECEPT	RECEPTACLE
CU	COPPER	SLV	SLEEVE
D	DATA	SM	SINGLEMODE
DDC	DIRECT DIGITAL CONTROL	SPECS	SPECIFICATIONS
DED	DEDICATED	TELECOM	TELECOMMUNICATIONS
DEV	DEVICE	TGB	TELECOMMUNICATIONS GROUNDING BUSBAR
DN	DOWN	TR	TELECOMMUNICATIONS ROOM
EF	ENTRANCE FACILITY	TV	TELEVISION
ER	EQUIPMENT ROOM/EMERGENCY ROOM	TYP	TYPICAL
FB	FLOOR BOX	UG	UNDER GROUND
FBQC	FURNISHED BY OTHERS, INSTALLED BY CONTRACTOR	UON	UNLESS OTHERWISE NOTED
FO	FIBER OPTIC(AL)	UTP	UNSHIELDED TWISTED PAIR
FOC	FACE OF COLUMN	V	VOICE
G, GND	GROUND	VEL	VERIFY EXACT LOCATION
GF, GFD	GROUND FAULT CIRCUIT INTERRUPTER	VP	VIDEO PROJECTOR
HH	HAND HOLE	W	WALLPHONE
J-BOX	JUNCTION BOX	WAP	WIRELESS ACCESS POINT
		WP	WEATHERPROOF

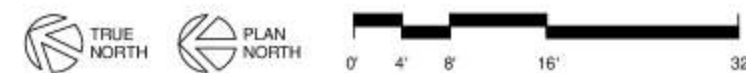
TELECOM DEMO GENERAL NOTES
 1. DEMO ALL CABLING BETWEEN OUTLETS AND SOURCE, BACK BOXES, FACEPLATES AND CONDUIT, UOM

#	Flag Notes
1	DEMO EXISTING CABLE TRAY. RETURN CABLE TRAY TO OWNER.
2	RELOCATE EXISTING CABLE TRAY TO NEW CORRIDOR. SEE T801 FOR NEW LOCATION.
3	RELOCATE EXISTING TRAY ELBOW TO NEW CORRIDOR. SEE T801 FOR NEW LOCATION.
4	DEMO EXISTING HALF RACKS AND RETURN TO OWNER, TYPICAL (J) RACKS - RELOCATE EXISTING SECURITY EQUIPMENT INTO NEW RACKS. SEE RACK ELEVATIONS FOR EQUIPMENT LOCATIONS.
5	DEMO EXISTING CONDUIT.
6	EXISTING CABLE TRAY TO REMAIN.
7	EXISTING 8" CONDUITS TO REMAIN.
8	EXISTING WALL MOUNTED SECURITY EQUIPMENT TO REMAIN.
9	DEMO PORTION OF CABLE TRAY TO ALIGN WITH NEW CABLE TRAY LAYOUT. SEE T801 FOR NEW LAYOUT.
10	EXISTING CONDUITS TO REMAIN.
11	DEMO EXISTING RECEIVING TELEPHONE EQUIPMENT AND CABLES.



1 TELECOM FLOOR PLAN - LEVEL 1 DEMO
 T101
 1/8" = 1'-0"

PRINTED: 6/21/2017 2:28:18 PM



400 Fairview Avenue N Suite 200
 Seattle, Washington 98109-6932
 (206) 467-0555

801 Second Avenue, Suite 501
 Seattle, Washington 98104
 T 206 662 3460
 F 206 343 9388
 www.lmnarchitects.com

SDG Use Only



Asian Art Museum Expansion & Renovation
 Volunteer Park / 1400 E Prospect /
 Seattle, WA

Submital

Construction Documents

Revisions
 No. Date Description

Sheet Title
 Sheet Number

FOR REFERENCE ONLY

Drawn: [blank]
 Checked: LMN Proj No
 Date: 6/23/17

Author: [blank]
 Checker: 16026.01
 Date: 6/23/17

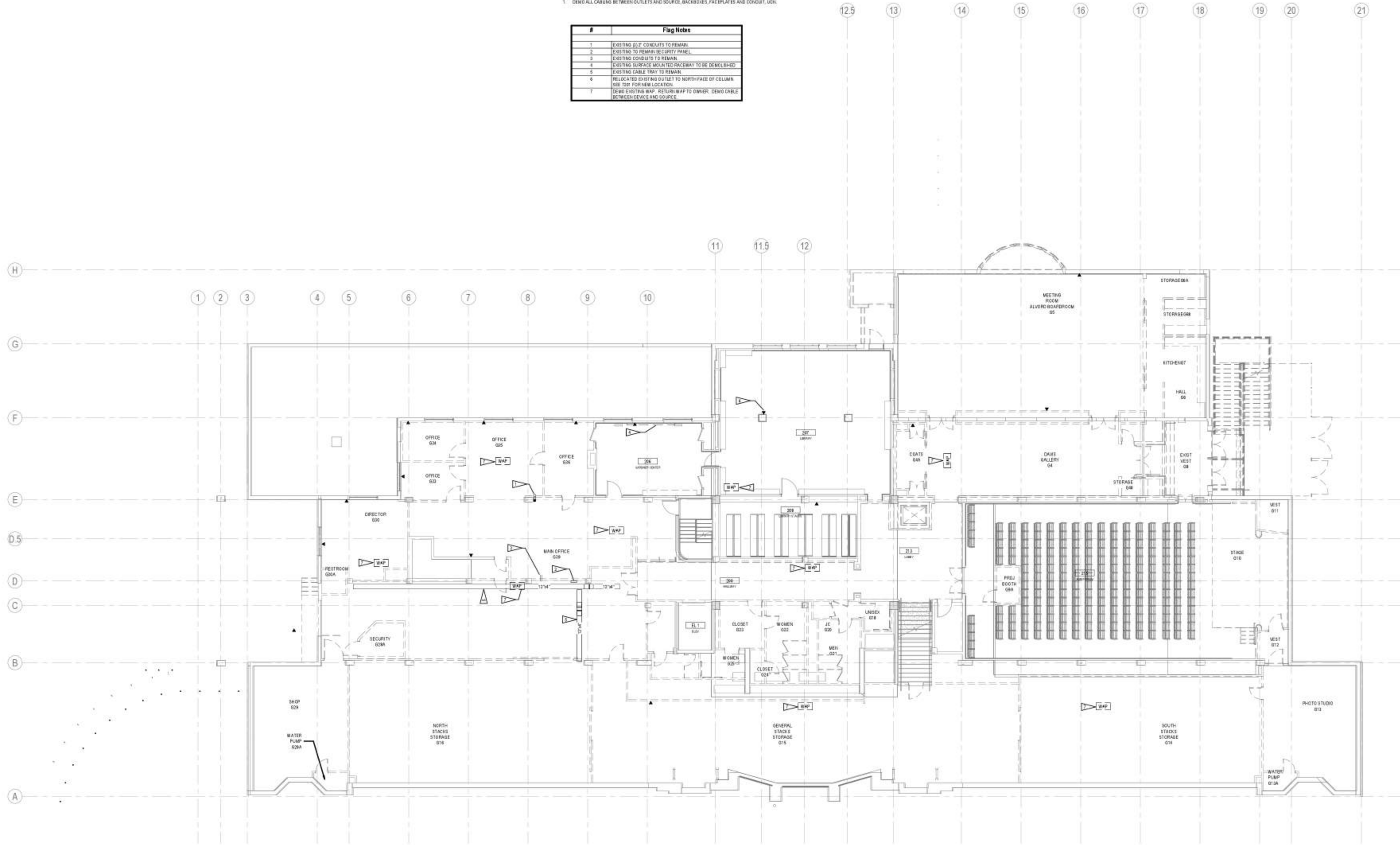
Telecom Floor Plan
 - Level 1 Demo

T101

TELECOM DEMO GENERAL NOTES

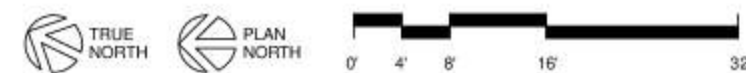
1. DEMO ALL CABING BETWEEN OUTLETS AND SOURCE, BACKBOXES, FACEPLATES AND CONDUIT, UG.1.

#	Flag Notes
1	EXISTING 6" CONDUITS TO REMAIN.
2	EXISTING TO REMAIN IN CLUTTY PANEL.
3	EXISTING CONDUITS TO REMAIN.
4	EXISTING SURFACE MOUNTED RACEWAY TO BE DEMOLISHED.
5	EXISTING CABLE TRAY TO REMAIN.
6	RELOCATED EXISTING OUTLET TO NORTH FACE OF COLUMN. SEE TIER FOR NEW LOCATION.
7	DEMO EXISTING WAP. RETURN WAP TO OWNER. DEMO CABLE BETWEEN DEVICE AND SOURCE.



1 TELECOM FLOOR PLAN - LEVEL 2 DEMO
T102
1/8" = 1'-0"

PRINTED: 6/21/2017 2:28:45 PM



400 Postview Avenue N Suite 620
Seattle, Washington 98109-6932
(206) 467-0555

801 Second Avenue, Suite 501
Seattle, Washington 98104
T 206 662 3460
F 206 343 9388
www.lmnarchitects.com



Asian Art Museum Expansion & Renovation
Volunteer Park / 1400 E Prospect /
Seattle, WA

Submitted

Construction Documents

Revisions
No. Date Description

FOR REFERENCE ONLY

Drawn: Author
Checked: LMN Proj No
Date: 6/23/17

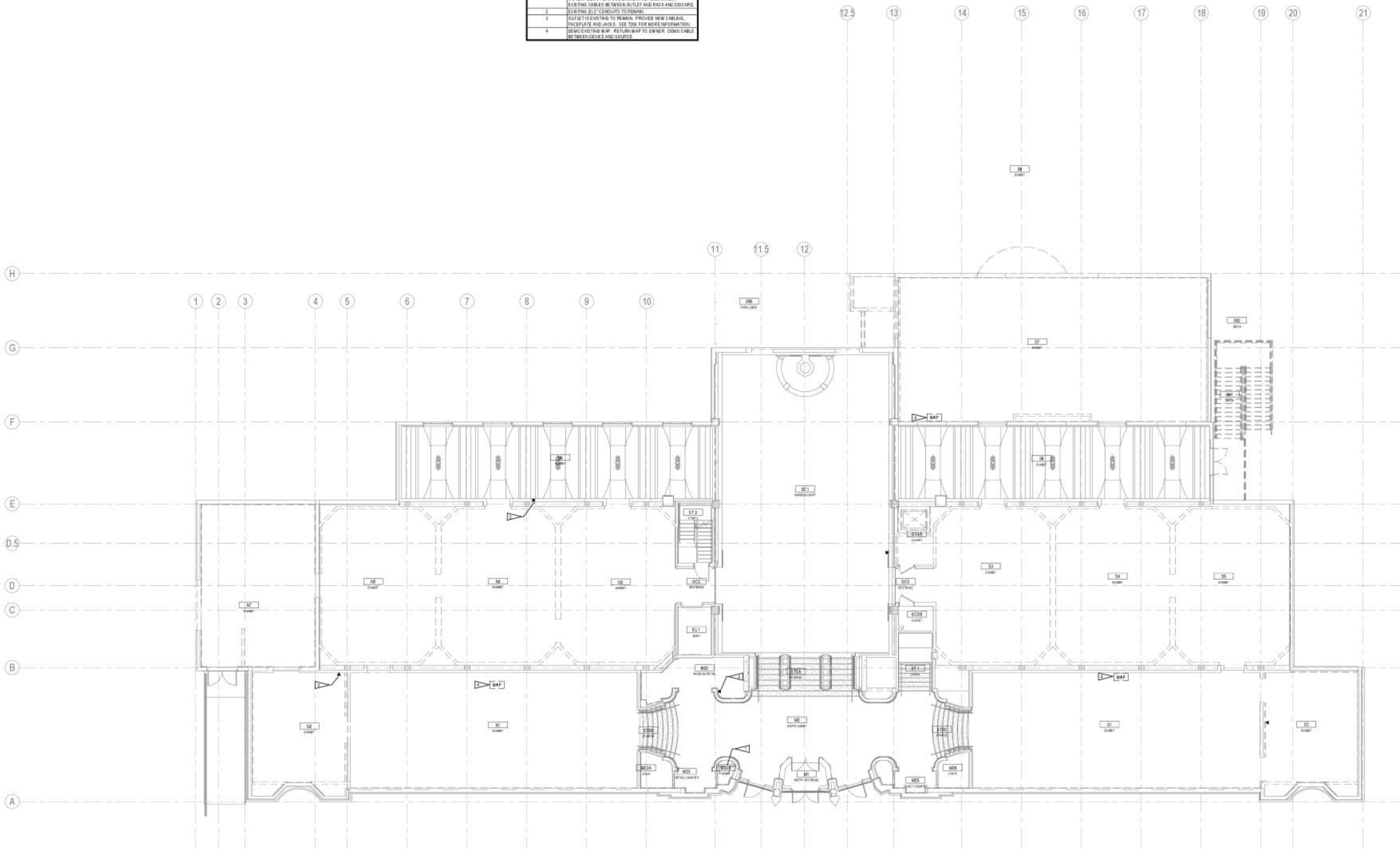
Telecom Floor Plan
- Level 2 Demo

T102

TELECOM DEMO GENERAL NOTES

1. DEMO ALL CABLING BETWEEN OUTLETS AND SOURCE, BACKBOXES, FACEPLATES AND CONDUIT, UOI.

#	Flag Notes
1	DEMO EXISTING WALL MOUNTED RACK AND RETURN TO OWNER. DEMO PLUMBWOOD BACKBOARD. DISCONNECT EXISTING CABLES BETWEEN OUTLET AND RACK AND DISCARD.
2	EXISTING 2" CONDUITS TO REMAIN.
3	OUTLET IS EXISTING TO REMAIN. PROVIDE NEW CABLING, FACEPLATE AND JACKS. SEE TOB FOR MORE INFORMATION.
4	DEMO EXISTING WAP. RETURN WAP TO OWNER. DEMO CABLE BETWEEN DEVICE AND SOURCE.



1 TELECOM FLOOR PLAN - LEVEL 3 DEMO
1/8" = 1'-0"

PRINTED: 6/21/2017 2:28:57 PM



400 Postview Avenue, Suite 500
Seattle, Washington 98109-6932
(206) 467-0555



Asian Art Museum Expansion & Renovation
Volunteer Park / 1400 E Prospect / Seattle, WA

Submital

Construction Documents

Revisions
No. Date Description

FOR REFERENCE ONLY

Drawn: [blank]
Checked: LMN Proj No
Date: 6/23/17

Author: [blank]
Checker: 16026.01
Date: 6/23/17

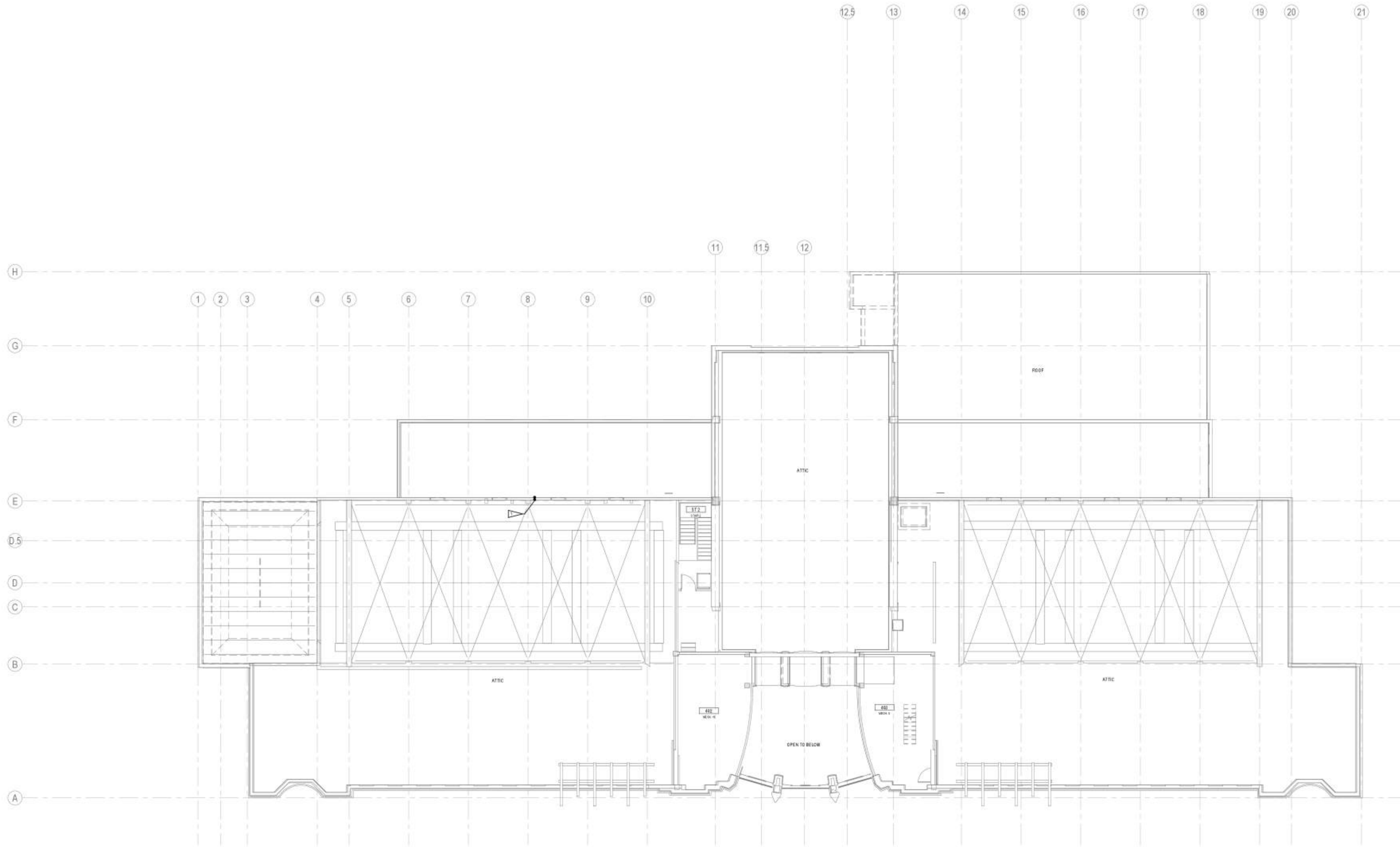
Telecom Floor Plan
- Level 3 Demo

T103

801 Second Avenue, Suite 501
Seattle, Washington 98104
T 206 462 3460
F 206 343 9388
www.lmnarchitects.com

TELECOM DEMO GENERAL NOTES
 1. DEMO ALL CABLING BETWEEN OUTLETS AND SOURCE, BACKBOXES, FACEPLATES AND CONDUIT, UNLESS NOTED OTHERWISE.

#	Flag Notes
1	EXISTING ONLY - CONDUITS TO REMAIN



1 TELECOM FLOOR PLAN - LEVEL 4 ATTIC DEMO
 T104 1/8" = 1'-0"

PRINTED: 6/21/2017 2:29:25 PM



400 Fairview Avenue N Suite 620
 Seattle, Washington 98109-6932
 (206) 467-0555



Asian Art Museum Expansion & Renovation
 Volunteer Park / 1400 E Prospect /
 Seattle, WA

Submital

Construction Documents

Revisions		
No.	Date	Description

FOR REFERENCE ONLY

Drawn: _____
 Checked: _____
 LMN Proj No: _____
 Date: 6/23/17

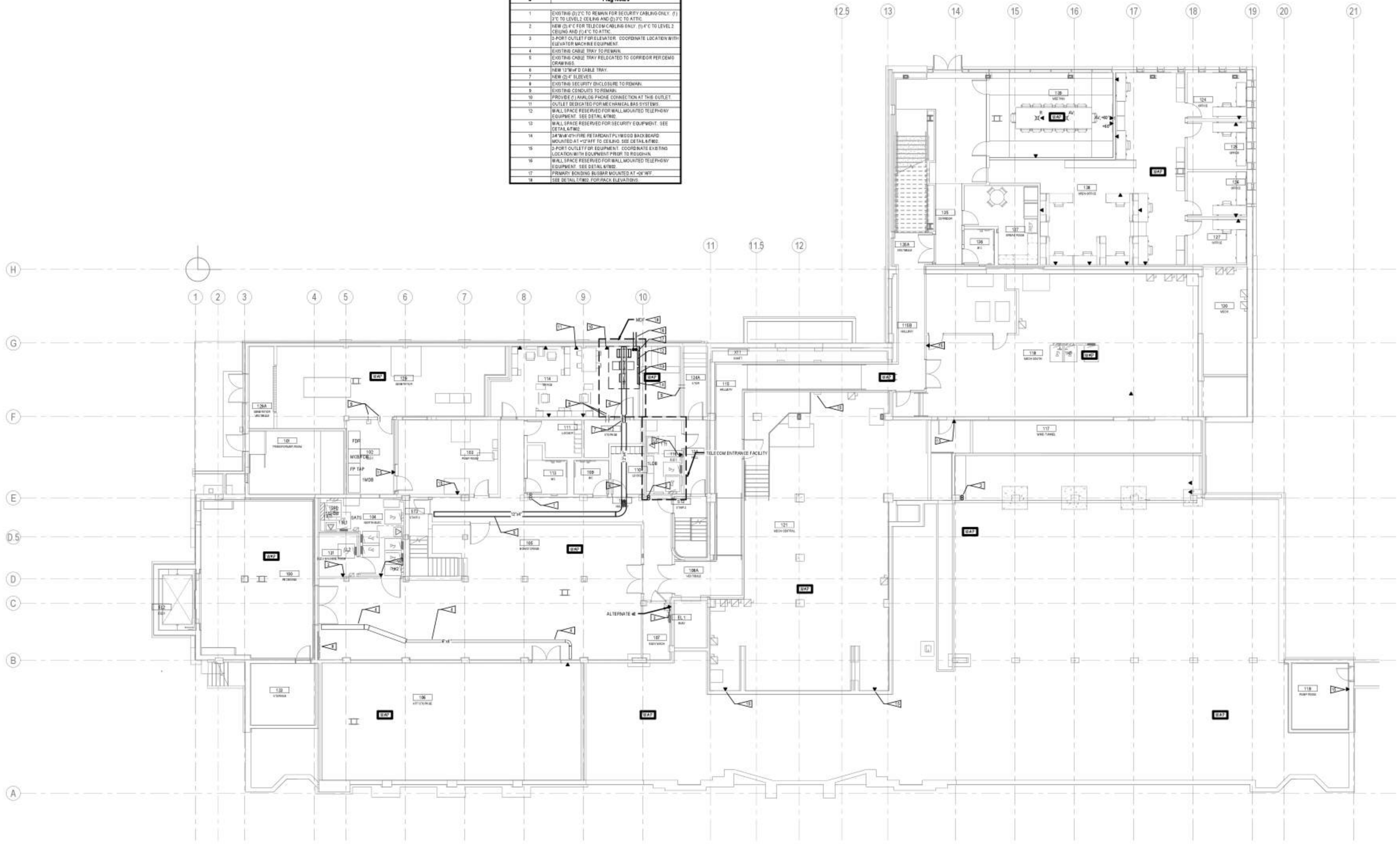
Author: _____
 Checker: _____
 16026.01

Telecom Floor Plan
 - Level 4 Attic Demo

T104

801 Second Avenue, Suite 501
 Seattle, Washington 98104
 T 206 662 3460
 F 206 343 9388
 www.lmnarchitects.com

#	Flag Notes
1	EXISTING 2" C TO REMAIN FOR SECURITY CABLING ONLY. (1) 2" C TO LEVEL 2 CEILING AND (2) 2" C TO ATTIC.
2	NEW 2" C FOR TELECOM CABLING ONLY. (1) 4" C TO LEVEL 2 CEILING AND (2) 4" C TO ATTIC.
3	2-PORT OUTLET FOR ELEVATOR. COORDINATE LOCATION WITH ELEVATOR MACHINE EQUIPMENT.
4	EXISTING CABLE TRAY TO REMAIN.
5	EXISTING CABLE TRAY RELOCATED TO CORRIDOR PER DEMO DRAWINGS.
6	NEW 12"Wx4"D CABLE TRAY.
7	NEW 2" C ELEVATOR.
8	EXISTING SECURITY ENCLOSURE TO REMAIN.
9	EXISTING CONDUITS TO REMAIN.
10	PROVIDE (1) ANALOG PHONE CONNECTION AT THIS OUTLET.
11	OUTLET DEDICATED FOR MECHANICAL BAS SYSTEMS.
12	WALL SPACE RESERVED FOR BALL-MOUNTED TELEPHONY EQUIPMENT. SEE DETAIL 4180.
13	WALL SPACE RESERVED FOR SECURITY EQUIPMENT. SEE DETAIL 4180.
14	1/4" FIRE-RATED PLYWOOD BACKBOARD MOUNTED AT 42" AFF TO CEILING. SEE DETAIL 4180.
15	2-PORT OUTLET FOR EQUIPMENT. COORDINATE EXISTING LOCATION WITH EQUIPMENT PRIOR TO REORDERING.
16	WALL SPACE RESERVED FOR BALL-MOUNTED TELEPHONY EQUIPMENT. SEE DETAIL 4180.
17	PRIMARY BONDING BUSBAR MOUNTED AT 42" AFF. SEE DETAIL 4180.
18	SEE DETAIL 4180 FOR RACK ELEVATIONS.



1 TELECOM FLOOR PLAN - LEVEL 1
 T201 1/8" = 1'-0"

PRINTED: 6/21/2017 2:30:05 PM



SDG Use Only



Submit

Revisions
 No. Date Description

Sheet Title
 Sheet Number

801 Second Avenue, Suite 501
 Seattle, Washington 98104
 T 206 662 3460
 F 206 343 9388
 www.lmnarchitects.com

400 Fairview Avenue N Suite 620
 Seattle, Washington 98109-6932
 (206) 467-0555

Asian Art Museum Expansion & Renovation
 Volunteer Park / 1400 E Prospect /
 Seattle, WA

Construction Documents

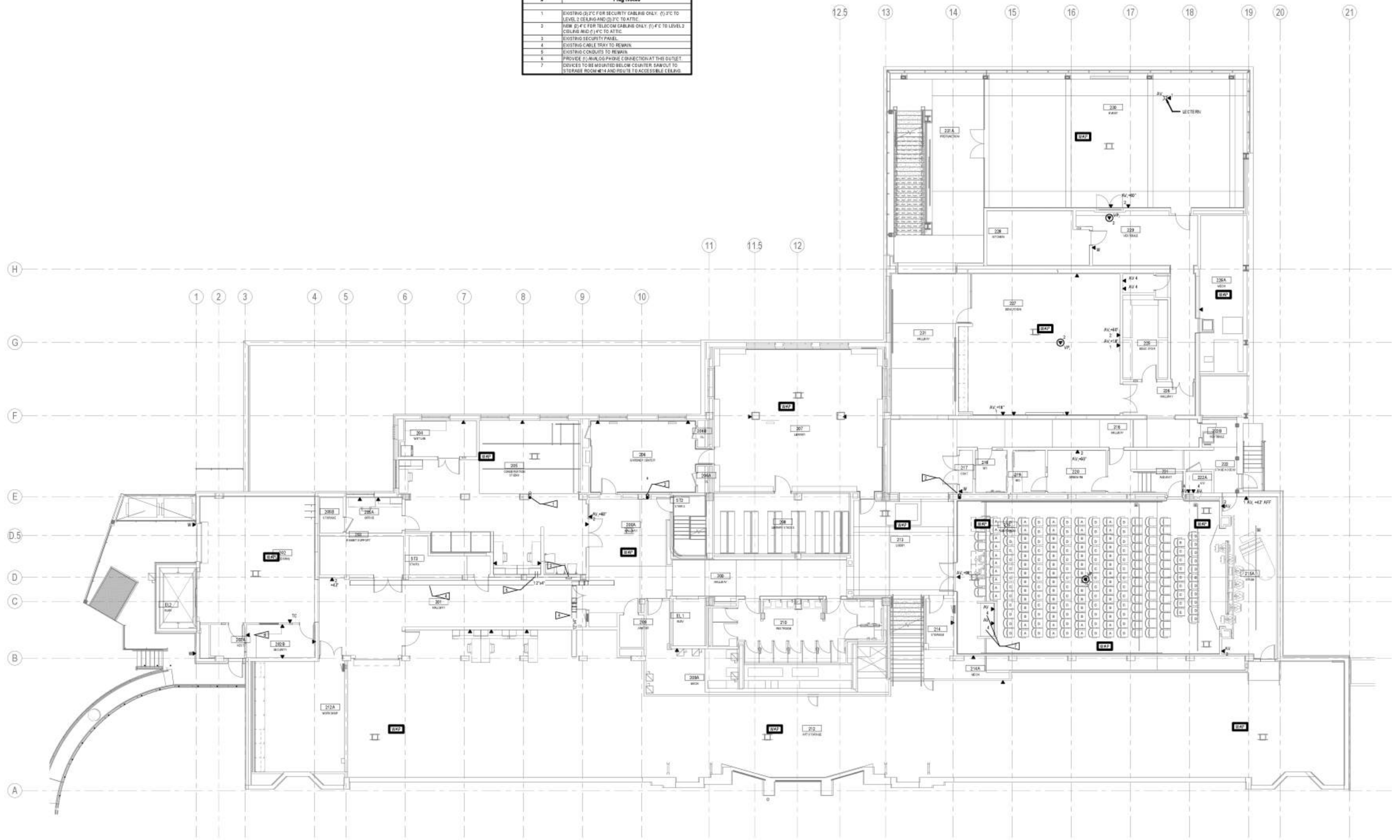
FOR REFERENCE ONLY

Drawn: Author
 Checked: Checker
 LMN Proj No: 16026.01
 Date: 6/23/17

Telecom Floor Plan
 - Level 1

T201

#	Flag Notes
1	EXISTING (2) FC FOR SECURITY CABLING ONLY. (1) FC TO LEVEL 2 CEILING AND (1) FC TO ATTIC.
2	NEW (2) FC FOR TELECOM CABLING ONLY. (1) FC TO LEVEL 2 CEILING AND (1) FC TO ATTIC.
3	EXISTING SECURITY PANEL.
4	EXISTING CABLE TRAY TO REMAIN.
5	EXISTING CONDUITS TO REMAIN.
6	PROVIDE (1) ANALOG PHONE CONNECTION AT THIS OUTLET.
7	DEVICES TO BE MOUNTED BELOW COUNTER SAWCUT TO STORAGE ROOM #114 AND ROUTE TO ACCESSIBLE CEILING.



1 TELECOM FLOOR PLAN - LEVEL 2
T202 1/8" = 1'-0"

PRINTED: 6/21/2017 2:30:32 PM

LMN Architecture
Urban Design
Interiors

Stantec

400 Postview Avenue N Suite 620
Seattle, Washington 98109-6932
(206) 467-0555

801 Second Avenue, Suite 501
Seattle, Washington 98104
T 206 662 3460
F 206 343 9388
www.lmnarchitects.com

SDG Use Only

SAM ASIAN
ART
MUSEUM

Asian Art Museum Expansion & Renovation
Volunteer Park / 1400 E Prospect /
Seattle, WA

Submital

Construction
Documents

Revisions

No. Date Description

TRUE NORTH PLAN NORTH



Sheet

Title

Sheet

Number

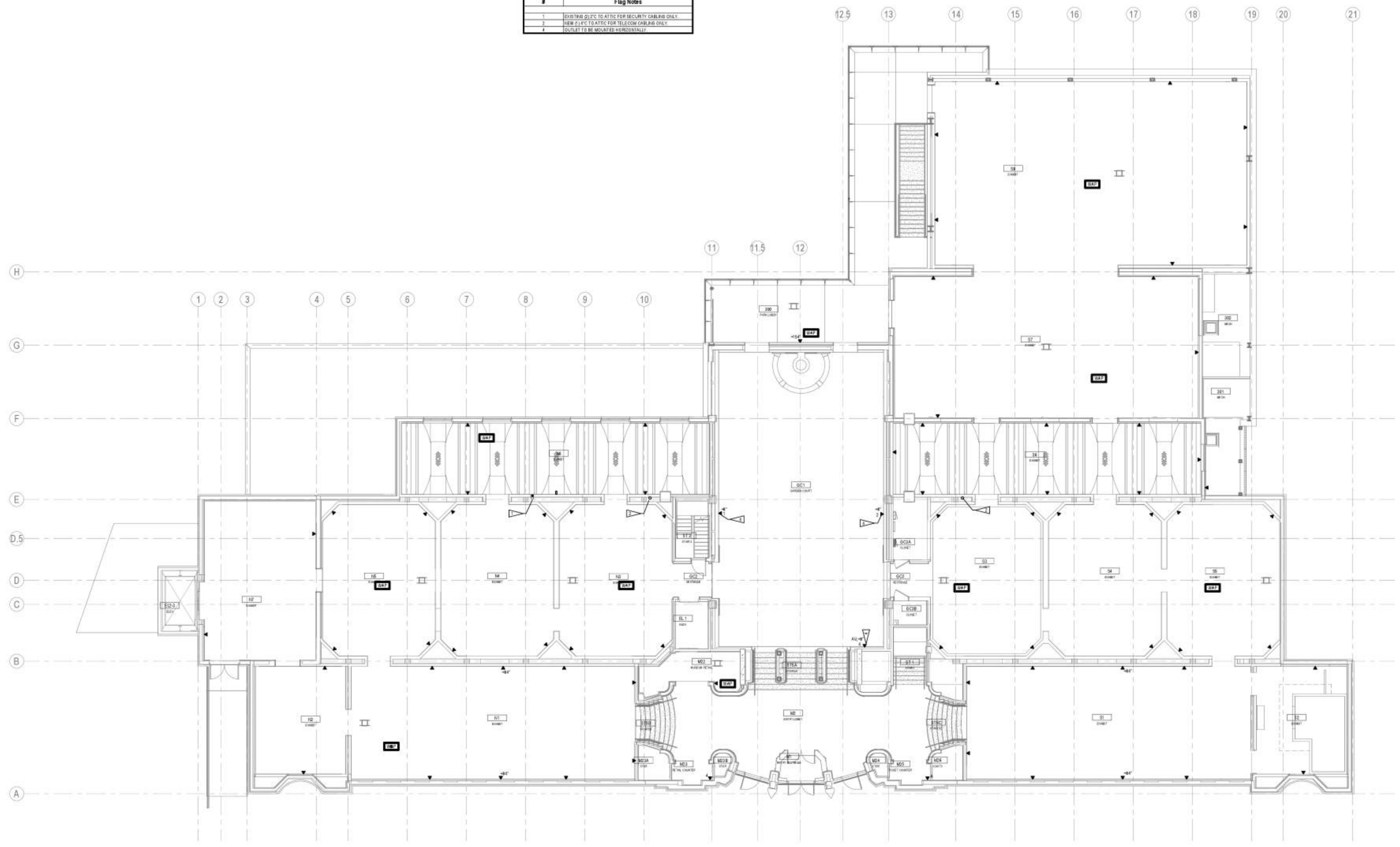
FOR REFERENCE ONLY

Drawn: Author
Checked: Checker
LMN Proj No: 16026.01
Date: 6/23/17

Telecom Floor Plan
- Level 2

T202

#	Flag Notes
1	EXISTING 2 1/2" TO ATTIC FOR SECURITY CABLING ONLY
2	NEW 3 1/2" TO ATTIC FOR TELECOM CABLING ONLY
4	OUTLET TO BE MOUNTED HORIZONTALLY



1 TELECOM FLOOR PLAN - LEVEL 3
18' - 1'-0"

PRINTED 6/21/2017 2:30:45 PM

LMN Architecture
Urban Design
Interiors
801 Second Avenue, Suite 501
Seattle, Washington 98104
T 206 662 3460
F 206 343 9388
www.lmnarchitects.com

Stantec
400 Fairview Avenue N Suite 620
Seattle Washington 98109-6932
(206) 467-0555

SDC Use Only

SAM ASIAN
ART
MUSEUM

Asian Art Museum Expansion & Renovation
Volunteer Park / 1400 E Prospect /
Seattle, WA

Submital

Construction
Documents

Revisions	No.	Date	Description



FOR REFERENCE ONLY

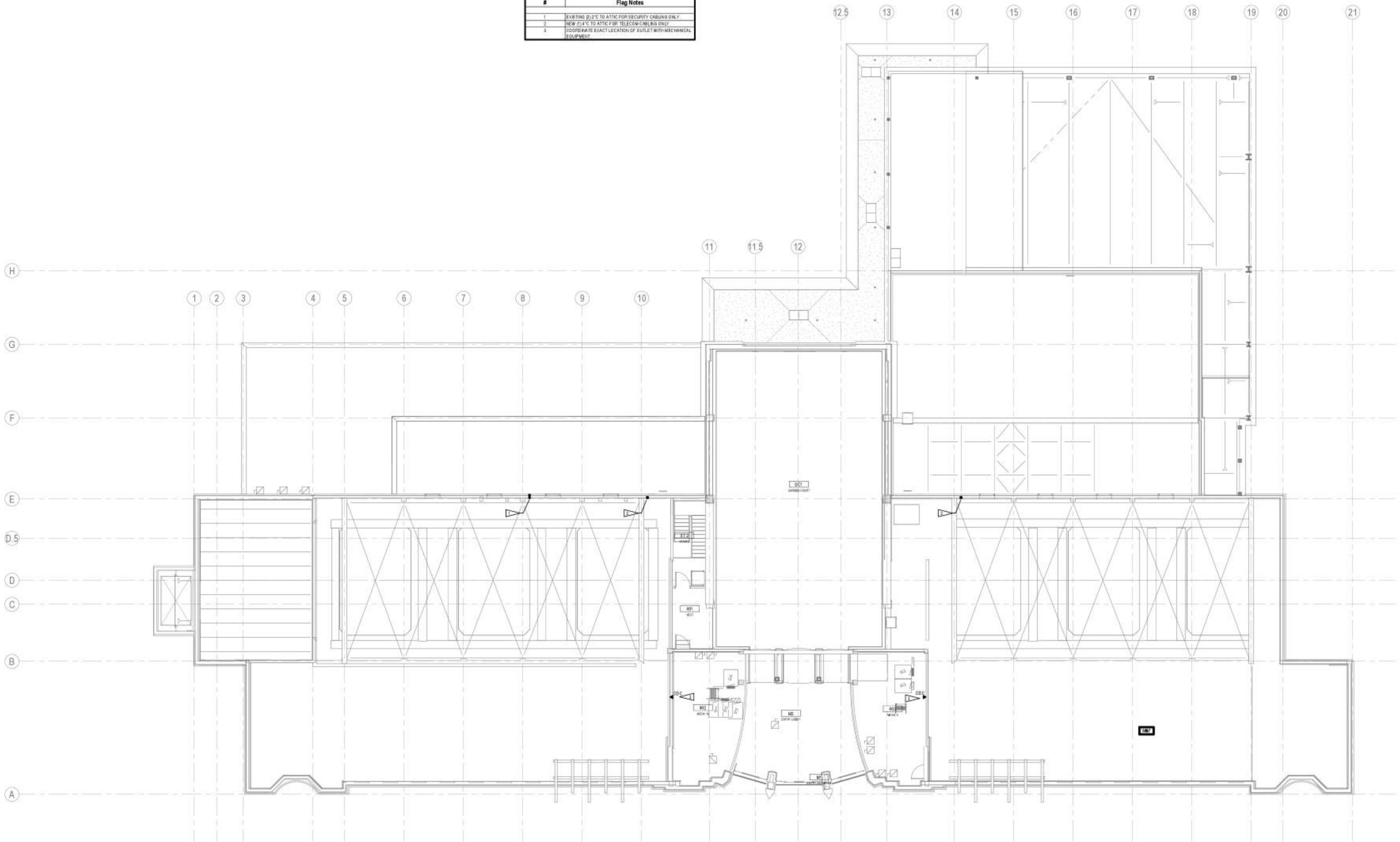
Drawn: LMN
Checked: LMN
Date: 6/23/17

Author: LMN
Checker: LMN
Date: 6/23/17

Telecom Floor Plan
- Level 3

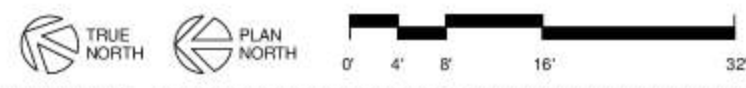
T203

#	Flag Notes
1	EXISTING DUCT TO ATTIC FOR SECURITY CABLING ONLY.
2	NEW DUCT TO ATTIC FOR TELECOM CABLING ONLY.
3	COORDINATE EXACT LOCATION OF GULLET WITH MECHANICAL EQUIPMENT.



1 TELECOM FLOOR PLAN - LEVEL 4 ATTIC
1/204 1/8" = 1'-0"

PRINTED: 6/21/2017 2:31:44 PM



LMN Architecture
Urban Design
Interiors

Stantec

400 Fairview Avenue N Suite 200
Seattle, Washington 98109-6932
(206) 467-0555

801 Second Avenue, Suite 501
Seattle, Washington 98104
T 206 662 3460
F 206 343 9388
www.lmnarchitects.com

SDG Use Only

SAM ASIAN
ART
MUSEUM

Asian Art Museum Expansion & Renovation
Volunteer Park / 1400 E Prospect /
Seattle, WA

Submital

Construction
Documents

Revisions

No. Date Description

Sheet

Title

Sheet

Number

FOR REFERENCE ONLY

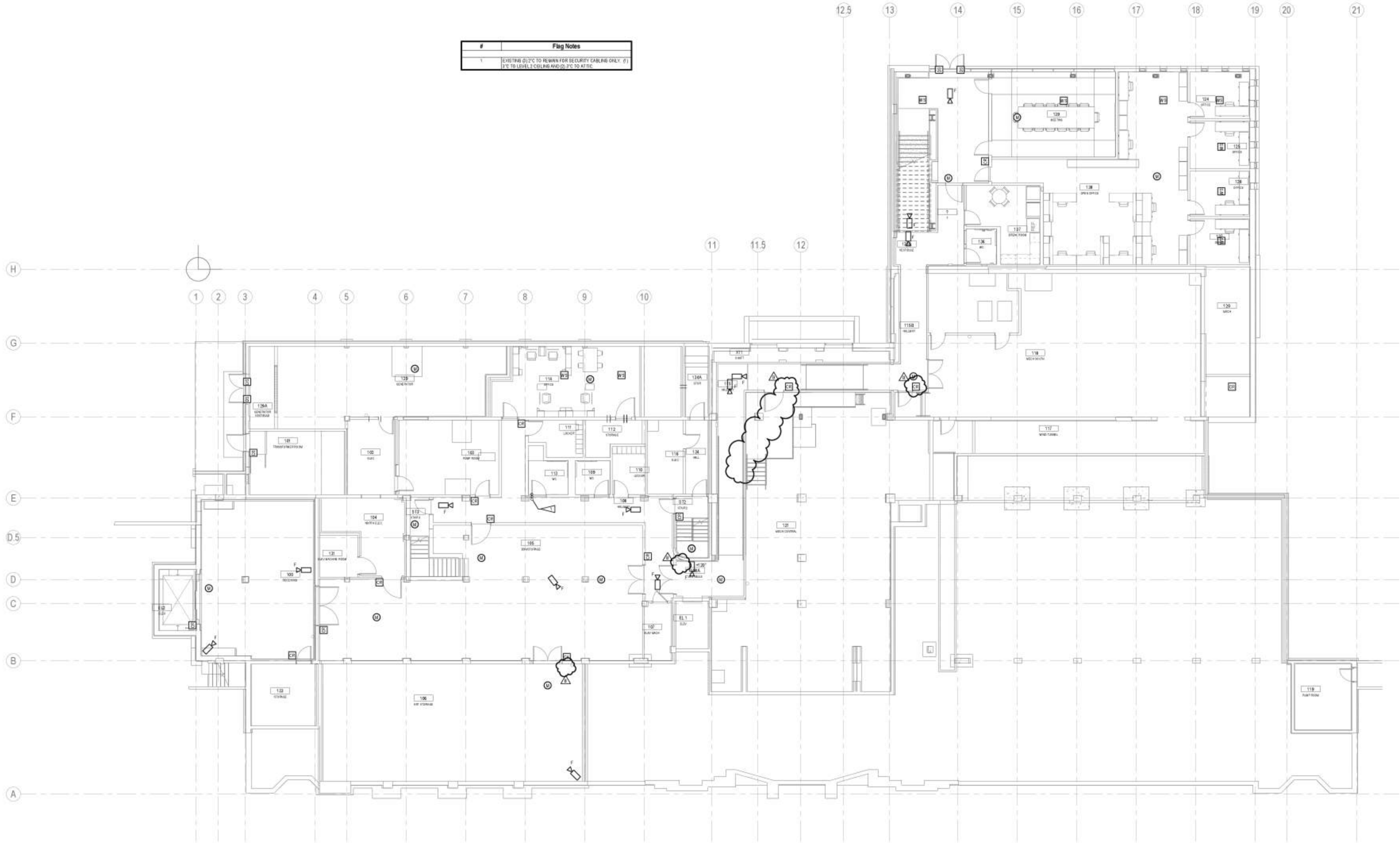
Drawn: LMN
Checked: LMN
Date: 6/23/17

Author: LMN
Checker: LMN
Date: 6/23/17

Telecom Floor Plan
- Level 4 Attic

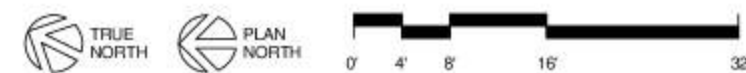
T204

#	Flag Notes
1	EXISTING @ 1/2" TO REMAIN FOR SECURITY CABLING ONLY. @1 1/4" TO LEVEL 1 CEILING AND @ 1/2" TO ATIC.



1 SECURITY INFRASTRUCTURE FLOOR PLAN - LEVEL 1
1401 1/8" = 1'-0"

PRINTED 8/31/2017 1:06:07 PM



SDCI User Only



Asian Art Museum Expansion & Renovation
Volunteer Park / 1400 E Prospect / Seattle, WA

Submital

Construction Documents

No.	Date	Description
B	9/1/17	Panel Corrections 1

FOR REFERENCE ONLY

Drawn: [blank]
Checked: LMN Proj No.
Date: 6/23/17

Author: [blank]
Checker: 16025.01
Date: 6/23/17

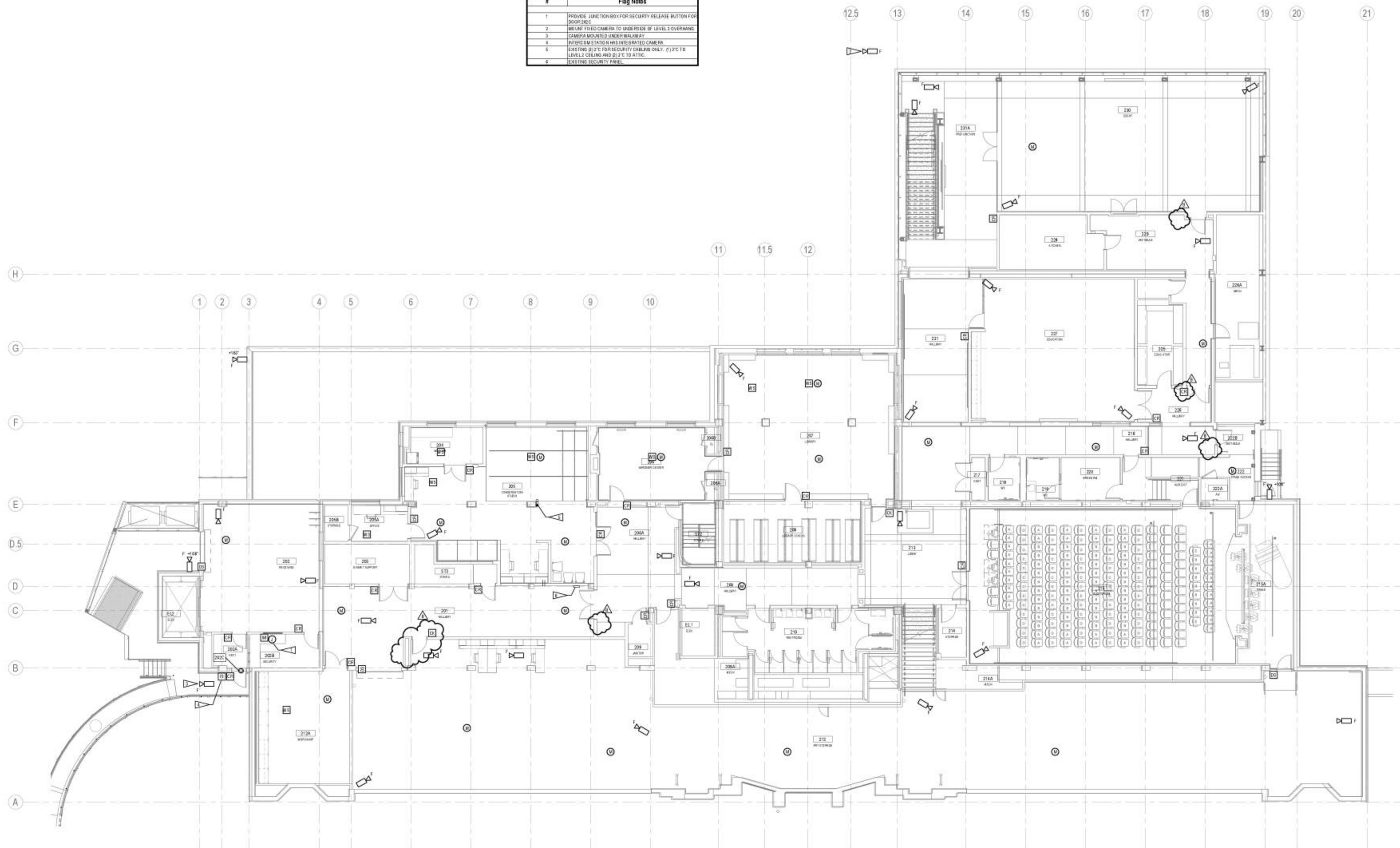
Security Infrastructure Floor Plan - Level 1

T401

801 Second Avenue, Suite 501
Seattle, Washington 98104
T 206 692 3460
F 206 342 9388
www.lmnarch.com

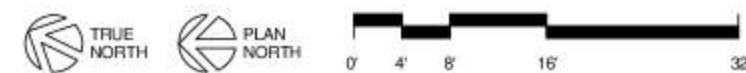
400 Franklin Avenue N Suite 620
Seattle, Washington 98109-4902
(206) 467-0555

#	Flag Notes
1	PROVIDE JUNCTION BOX FOR SECURITY RELEASE BUTTON FOR DOOR 202E
2	MOUNT FIXED CAMERA TO UNDERSIDE OF LEVEL 2 OVERHANG
3	CAMERA MOUNTED UNDER WALKWAY
4	INTERCOM STATION HAS INTEGRATED CAMERA
5	EXISTING 0.2" FC FOR SECURITY CABLING ONLY. 0.1" FC TO LEVEL 2 CEILING AND 0.1" FC TO ATTIC
6	EXISTING SECURITY PANEL



1 SECURITY INFRASTRUCTURE FLOOR PLAN - LEVEL 2
T402
1/8" = 1'-0"

PRINTED 8/31/2017 1:05:54 PM



SDCI Use Only



Asian Art Museum Expansion & Renovation
Volunteer Park / 1400 E Prospect / Seattle, WA

Submittal

Construction Documents

Revisions	No.	Date	Description
	B	9/1/17	Panel Connections 1

FOR REFERENCE ONLY

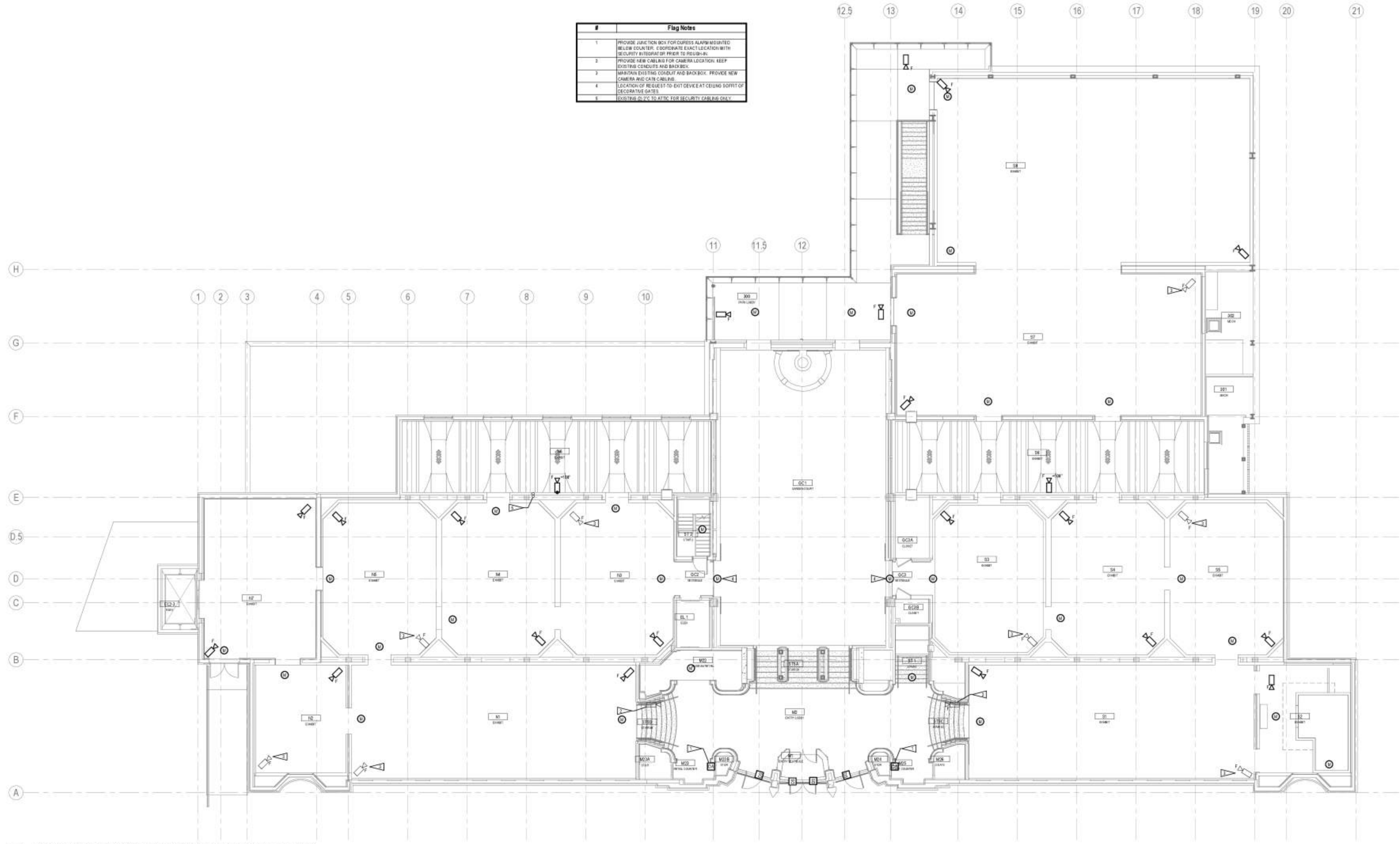
Drawn: [blank]
Checked: LMN Proj No.
Date: 6/23/17

Author: [blank]
Checker: 16026.01
Date: 6/23/17

Sheet Title: Security Infrastructure Floor Plan - Level 2

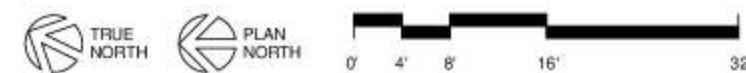
Sheet Number: T402

#	Flag Notes
1	PROVIDE JUNCTION BOX FOR CUPRESS ALARM MOUNTED BELOW COUNTER. COORDINATE EXACT LOCATION WITH SECURITY VENDOR PRIOR TO RED-B-B.
2	PROVIDE NEW CABLING FOR CAMERA LOCATION. KEEP EXISTING CONDUITS AND BACKBOX.
3	MARK/PAIN EXISTING CONDUIT AND BACKBOX. PROVIDE NEW CAMERA AND CAT5 CABLING.
4	LOCATION OF REQUEST-TO-EXIT DEVICE AT CEILING SOFFIT OF DECORATIVE GATES.
5	EXISTING 6/2" TO ATTIC FOR SECURITY CABLING ONLY.



1 SECURITY INFRASTRUCTURE FLOOR PLAN - LEVEL 3
T403
18' - 1'0"

PRINTED 6/21/2017 2:30:07 PM



SDG Use Only



Asian Art Museum Expansion & Renovation
Volunteer Park / 1400 E Prospect / Seattle, WA

Submital

Construction Documents

Revisions	No.	Date	Description

FOR REFERENCE ONLY

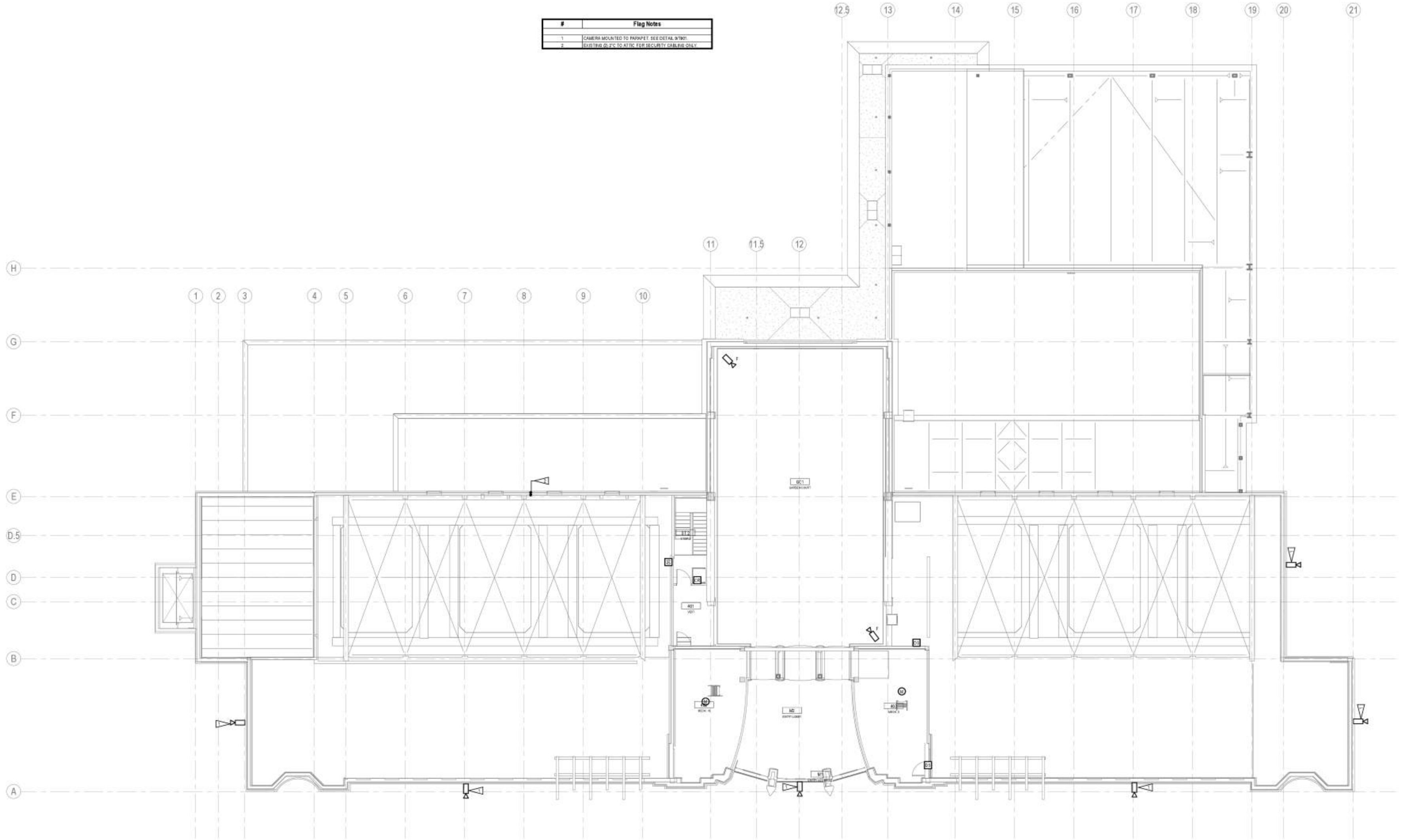
Drawn: [Blank]
Checked: [Blank]
LMN Proj No: [Blank]
Date: 6/23/17

Author: [Blank]
Checker: 16026.01
Date: 6/23/17

Security Infrastructure Floor Plan - Level 3

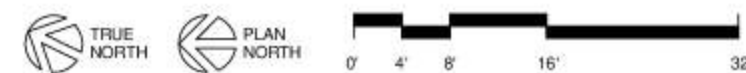
T403

#	Flag Notes
1	CAMERA MOUNTED TO PARAPET. SEE DETAIL 3/10/17.
2	EXISTING G.F.C TO ATTIC FOR SECURITY CABLEING ONLY.



1 SECURITY INFRASTRUCTURE FLOOR PLAN - LEVEL 4 ATTIC
1404 1/8" = 1'-0"

PRINTED: 6/21/2017 2:30:25 PM



SDG Use Only



Asian Art Museum Expansion & Renovation
Volunteer Park / 1400 E Prospect / Seattle, WA

Submital

Construction Documents

Revisions	No.	Date	Description

Sheet Title	Sheet Number

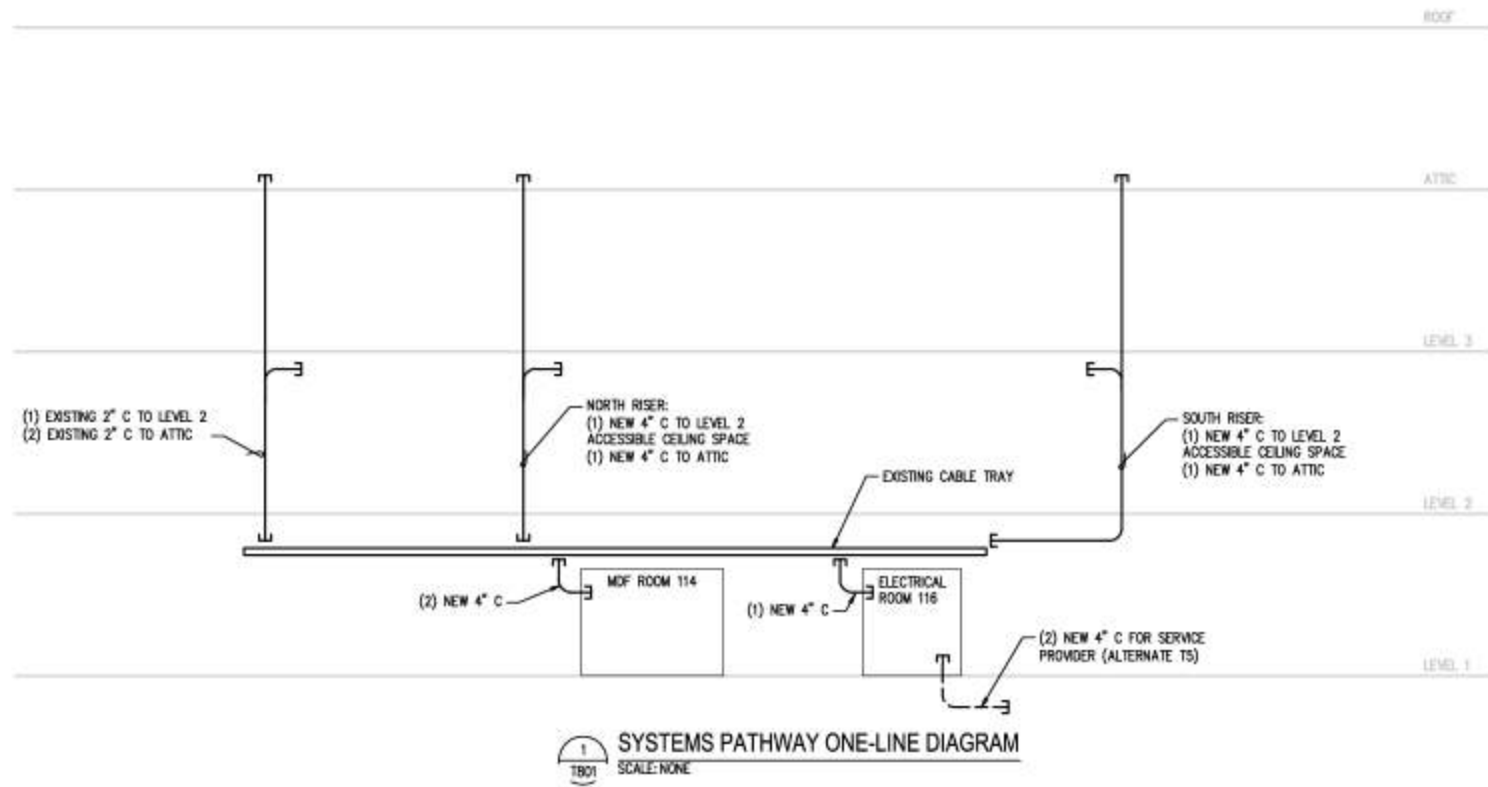
FOR REFERENCE ONLY

Drawn: [blank]
Checked: [blank]
LMN Proj No: [blank]
Date: 6/23/17

Author: [blank]
Checker: [blank]
16026.01
6/23/17

Security Infrastructure Floor Plan - Level 4

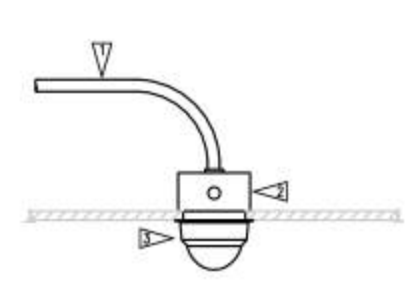
T404



DETAIL FLAG NOTES:

- 1. ROUTE 1" CONDUIT TO NEAREST CABLE TRAY OR ACCESSIBLE CEILING SPACE. SEE PLAN DRAWINGS FOR SECURITY HEADEND LOCATION.
- 2. JUNCTION BOX.
- 3. CAMERA, ENCLOSURE, MOUNT AND MOUNTING SUPPORT HARDWARE.

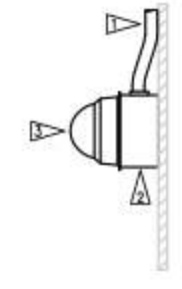
2 CEILING CAMERA - FLUSH MOUNT
SCALE: NONE



DETAIL FLAG NOTES:

- 1. ROUTE 1" CONDUIT TO NEAREST CABLE TRAY OR ACCESSIBLE CEILING SPACE. SEE PLAN DRAWINGS FOR SECURITY HEADEND LOCATION.
- 2. JUNCTION BOX.
- 3. CAMERA, ENCLOSURE, MOUNT AND MOUNTING SUPPORT HARDWARE.

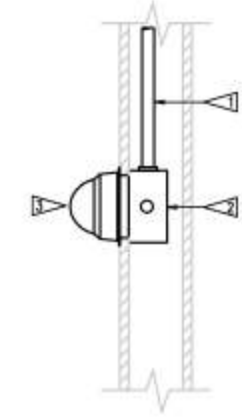
3 WALL CAMERA - SURFACE MOUNT
SCALE: NONE



DETAIL FLAG NOTES:

- 1. ROUTE 1" CONDUIT TO NEAREST CABLE TRAY OR ACCESSIBLE CEILING SPACE. SEE PLAN DRAWINGS FOR SECURITY HEADEND LOCATION.
- 2. JUNCTION BOX.
- 3. CAMERA, ENCLOSURE, MOUNT AND MOUNTING SUPPORT HARDWARE.

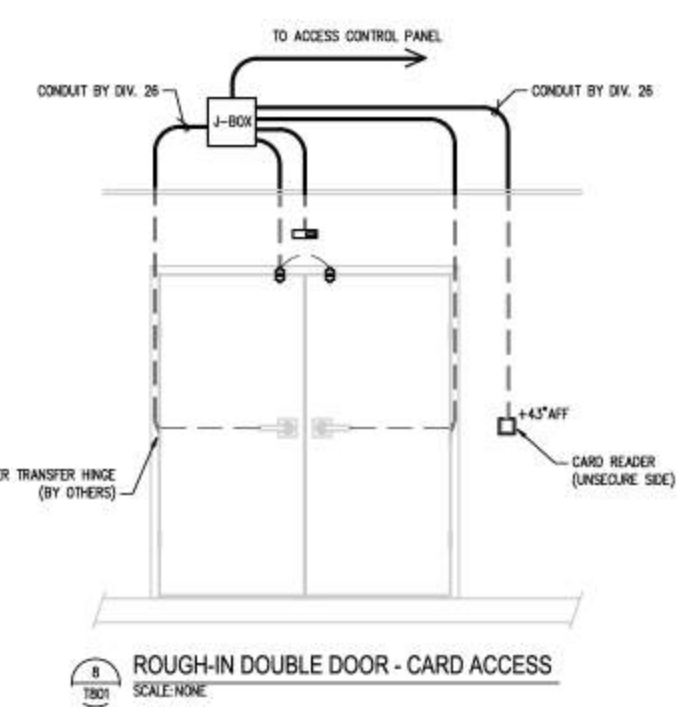
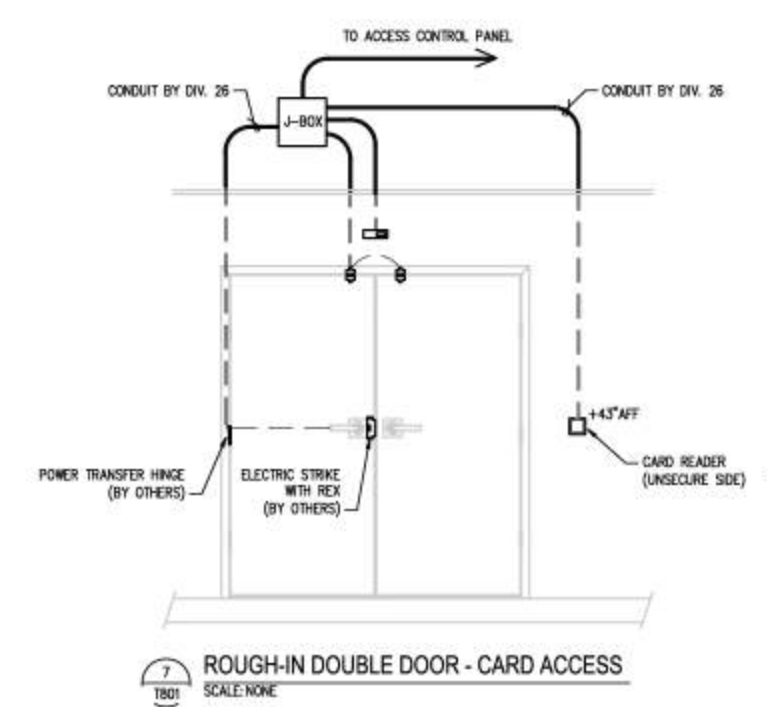
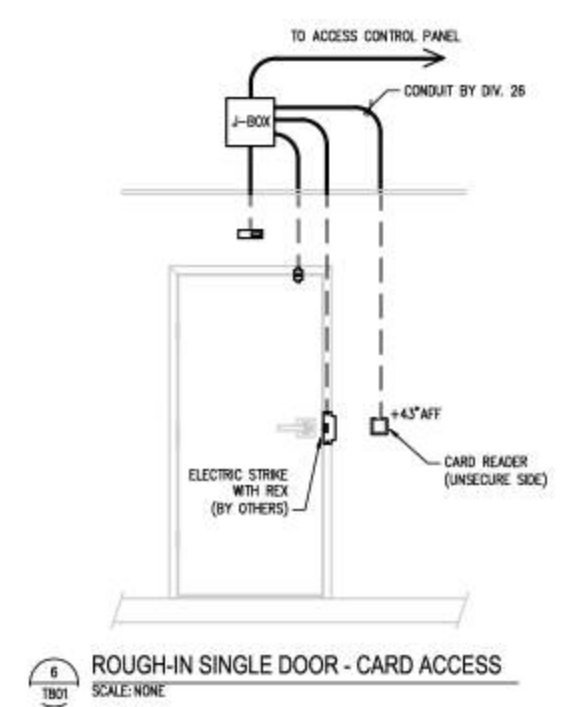
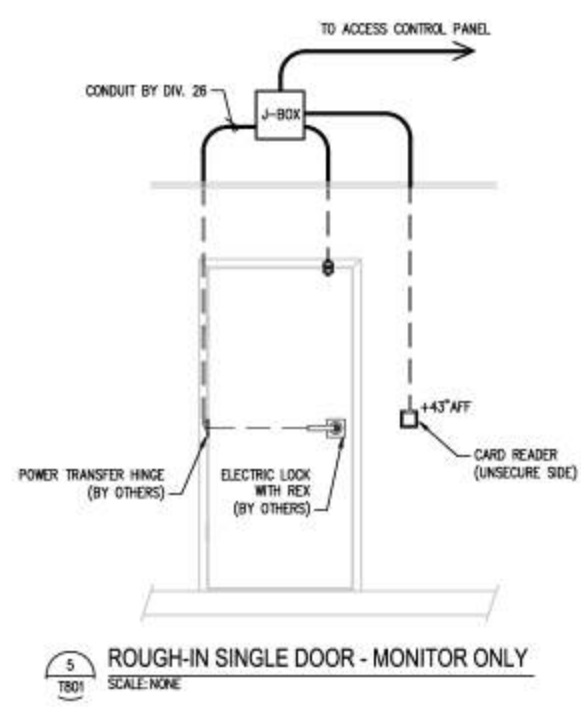
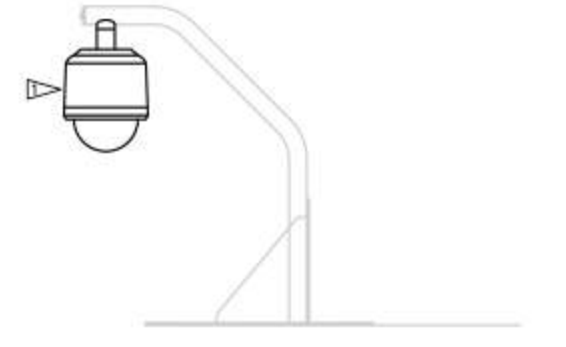
4 WALL CAMERA - FLUSH MOUNT
SCALE: NONE



DETAIL FLAG NOTES:

- 1. CAMERA, ENCLOSURE, MOUNT AND MOUNTING SUPPORT HARDWARE.

9 ROOF CAMERA - PARAPET MOUNT
SCALE: NONE



\\s01328-r01\morgansouthern\active\project\06818128\c-06-001\T801 Jan 21, 2017 2:38 PM By: MTHANDONZULES

Printed: 6/7/2016 10:48:29 AM

LMN Architecture
Urban Design
Interiors

801 Second Avenue, Suite 501
Seattle, Washington 98104
T 206 662 3460
F 206 343 9398
www.lmnarchitects.com

Stantec

400 Riverside Ave Ste 420
Seattle, WA 98101-8802
(206) 467-9520

SOI/Use Only

SAM ASIAN
ART
MUSEUM

Asian Art Museum Expansion & Renovation

Volunteer Park / 1400 E Prospect /
Seattle, WA 98112

Submital

Construction
Documents

Revisions

No.	Date	By	Description

Sheet Title

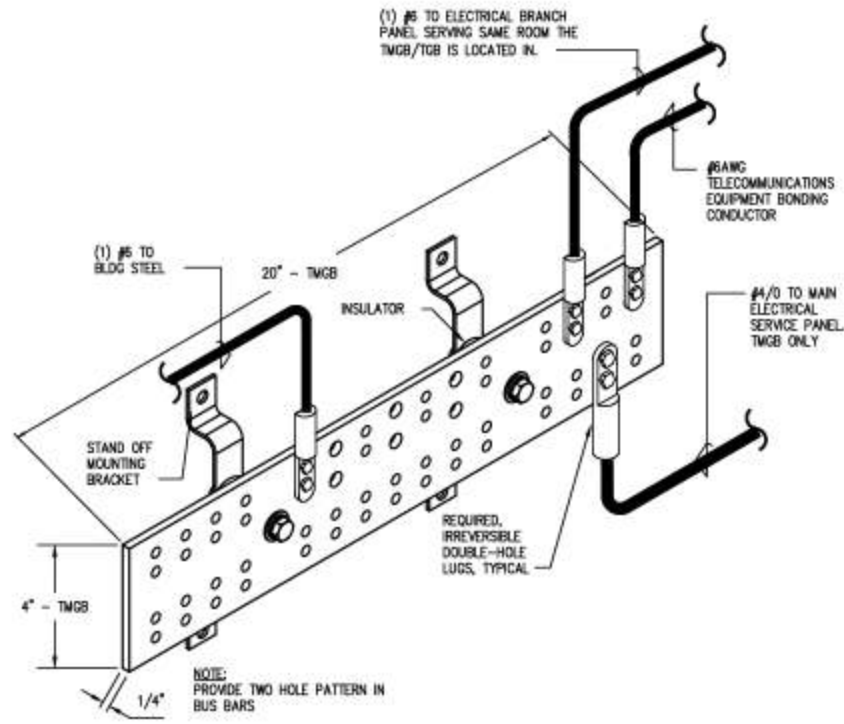
Sheet Number

FOR REFERENCE ONLY

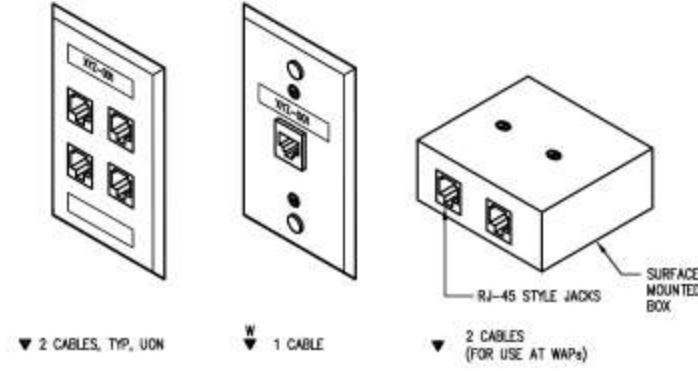
Drawn: M4
Checked: DF
LMN Proj No: 16026.01
Date: 6/23/17

Telecom Risers and
Security Details

T801

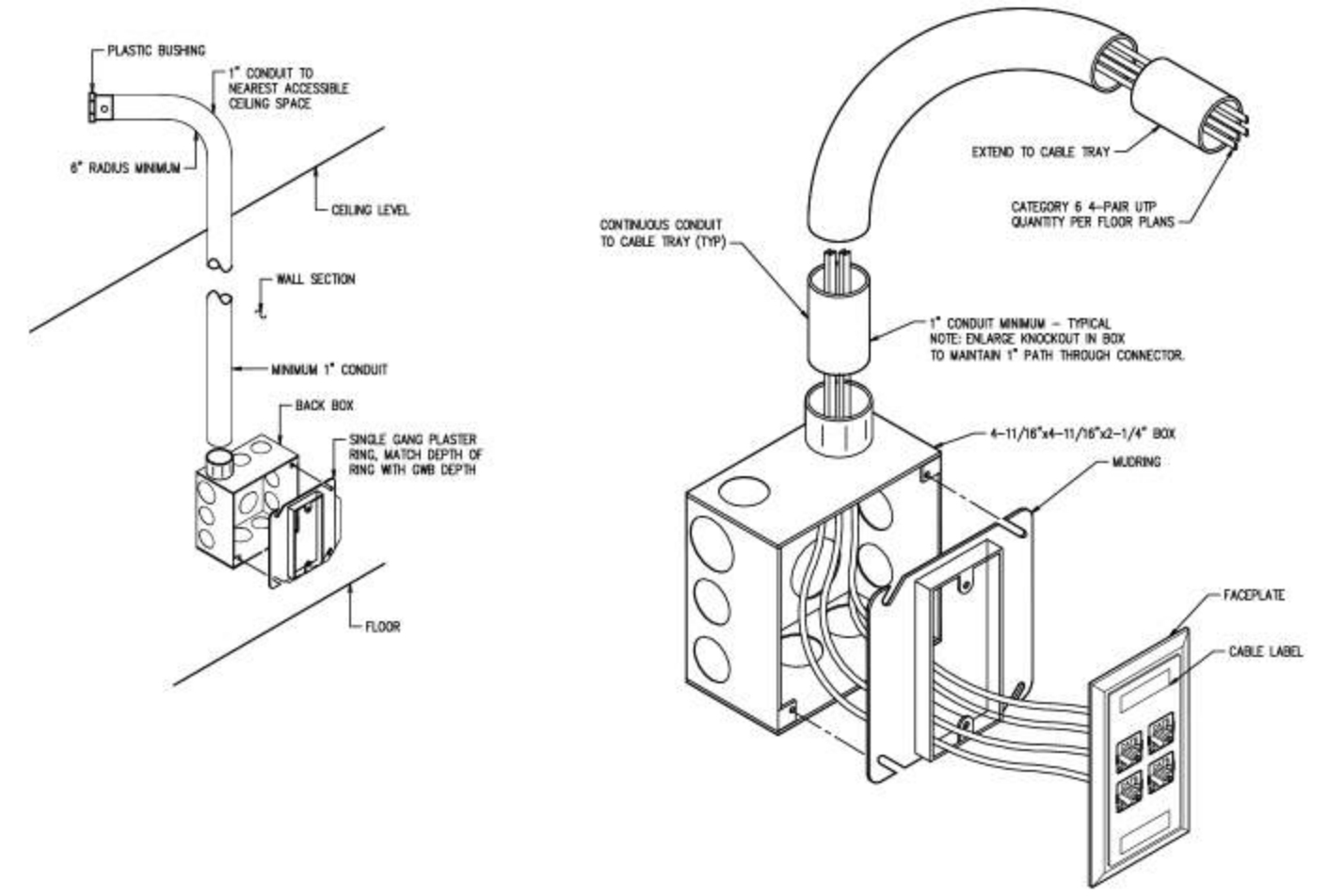


1
T802
TYPICAL (TMGB) COMMUNICATIONS
GROUND BUS BAR DETAIL
SCALE: NONE



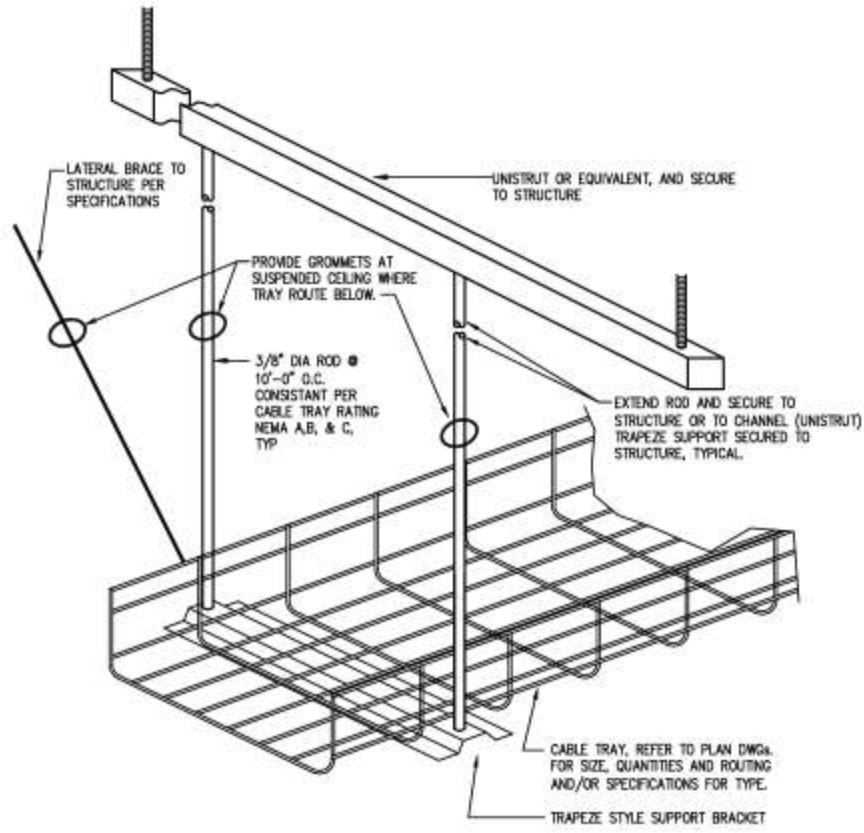
1. TERMINATE ALL CONDUCTORS OF ALL CABLES ON RECEPTABLES (JACK INSERTS).
2. CABLES FROM EACH VOICE & DATA RECEPTACLE (JACK INSERT) IN EACH OUTLET SHALL BE HOMERUN TO THE TELECOM ROOM INDICATED ON THE PLANS, WITHOUT SPLICES OR TAPS. CABLE LENGTH SHALL NOT EXCEED 300'. RE-ROUTE &/OR PROVIDE ADDITIONAL RACEWAYS AS REQUIRED IF 300' LIMITATION IS EXCEEDED.
3. OTHER OUTLET FACEPLATE CONFIGURATIONS SHALL BE SIMILAR WITH SIMILAR CABLING REQUIREMENTS.
4. IF ONLY 3 CABLES DESIGNATED PER FLOOR PLAN DRAWINGS PROVIDE BLANK INSERT FOR 4TH PORT

2
T802
TYPICAL COMMUNICATIONS OUTLET FACEPLATE CONFIGURATIONS
SCALE: NONE

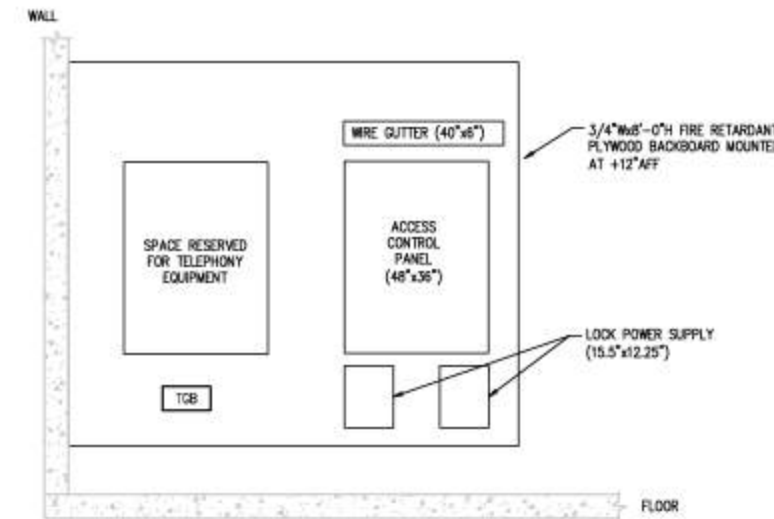


3
T802
TYPICAL COMMUNICATIONS RACEWAY AND OUTLET DETAIL
SCALE: NONE

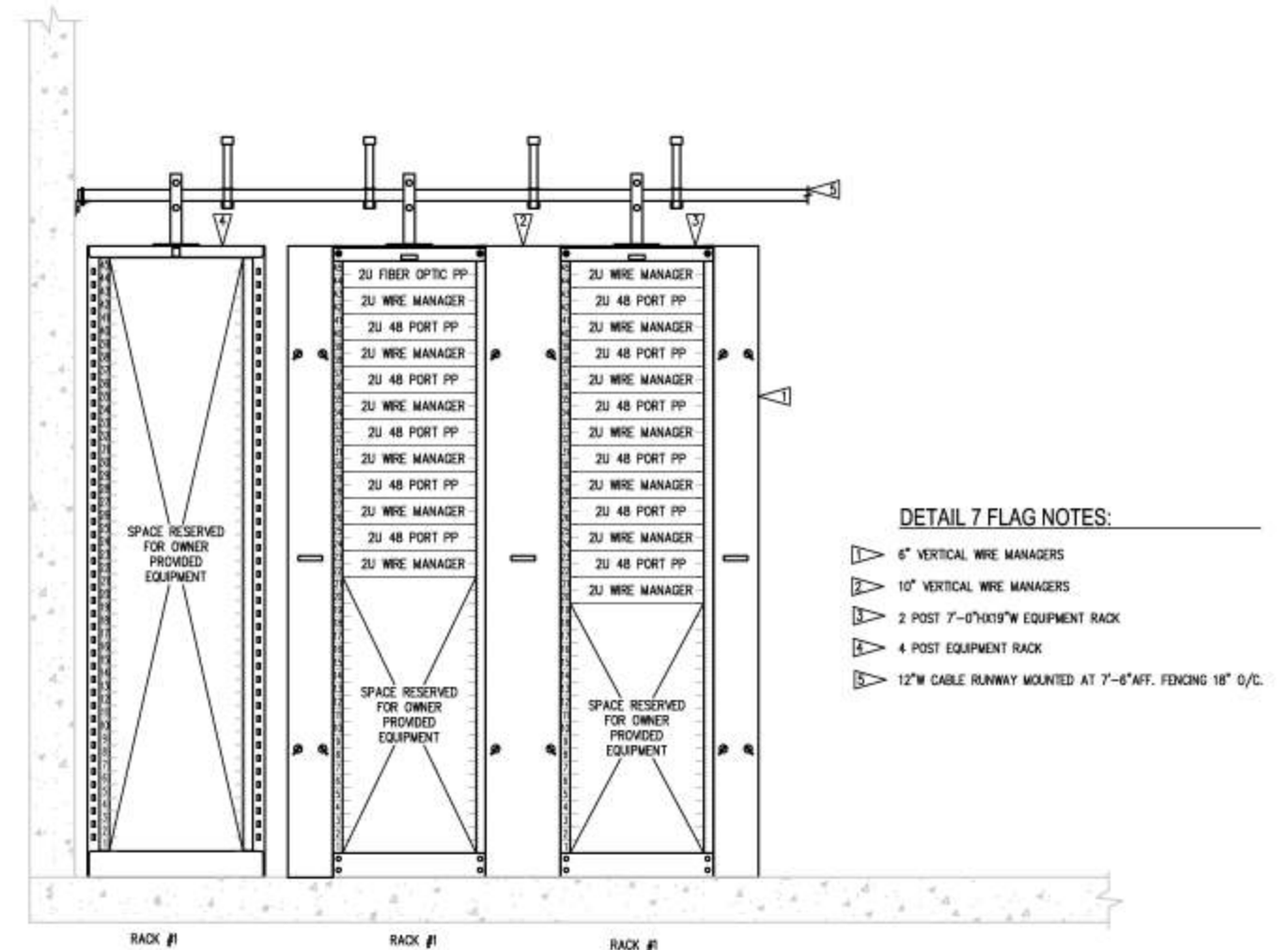
4
T802
TELECOMMUNICATIONS OUTLET
SCALE: NONE



5
T802
WIRE BASKET CABLE TRAY SUPPORT TYPICAL
SCALE: NONE

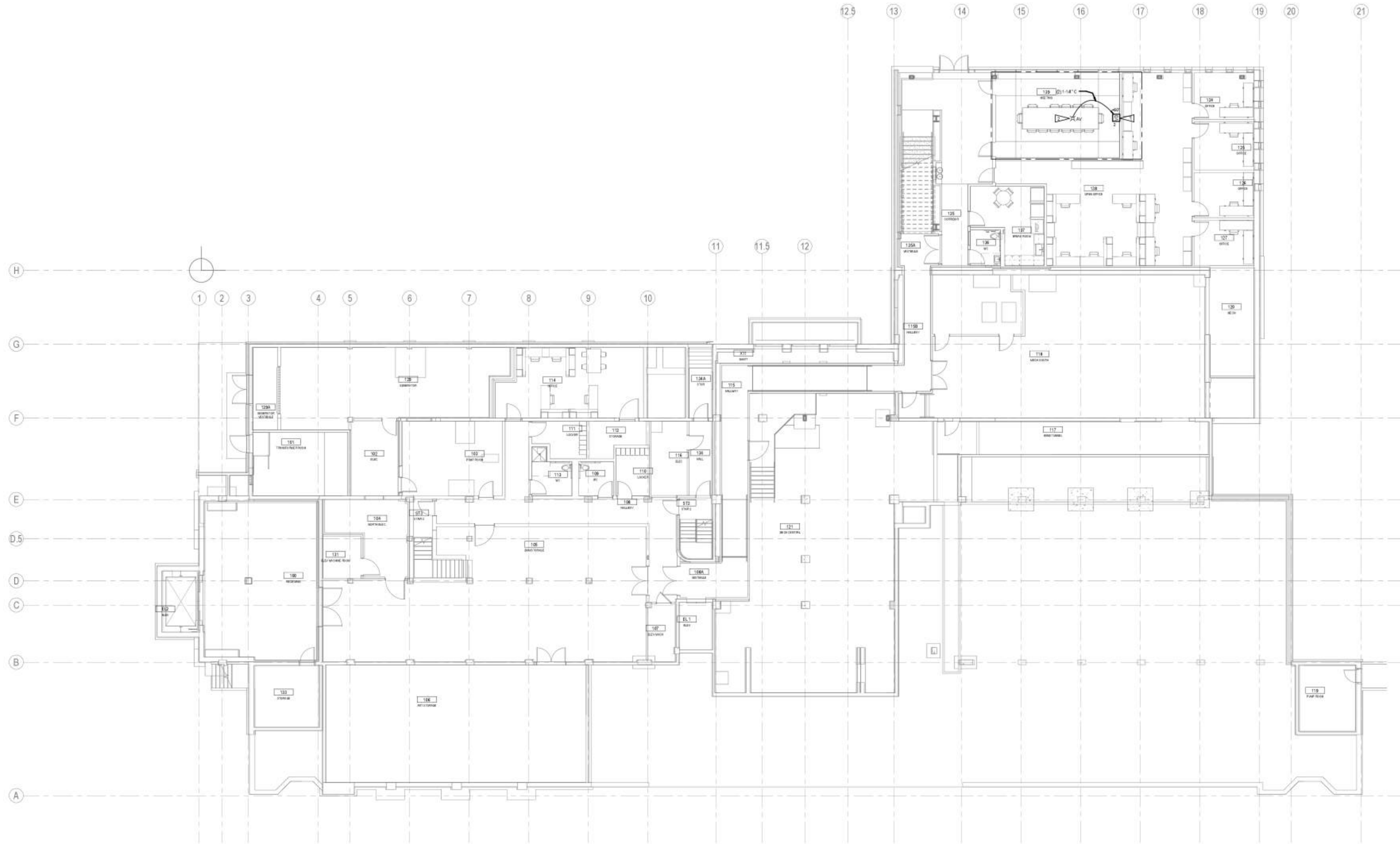


6
T802
WALL ELEVATION MDF/OFFICE ROOM 114
SCALE: AS INDICATED
0 1 2 4 6
Feet
-1 inch plotted -
If measurement is other than 1 inch then the plot is reduced.



7
T802
MDF RACK ELEVATIONS
SCALE: NONE

Flag Notes	
AV201	
1	ROUTE 1/1" W/ CONDUIT TO ACCESSIBLE CEILING
2	ELECTRICAL CONNECTION FLOOR BOX



PRINTED: 6/21/2017 9:48:55 AM

1 Audio Visual Floor Plan - Level 1
1/8" = 1'-0"



400 Postview Avenue N Suite 200
Seattle, Washington 98109-6902
(206) 467-0555

801 Second Avenue, Suite 501
Seattle, Washington 98104
T 206 662 3460
F 206 343 9388
www.lmnarchitects.com

SDC Use Only



Asian Art Museum Expansion & Renovation
Volunteer Park / 1400 E Prospect / Seattle, WA

Submital

Construction Documents

Revisions		
No.	Date	Description

Sheet	
Title	Number

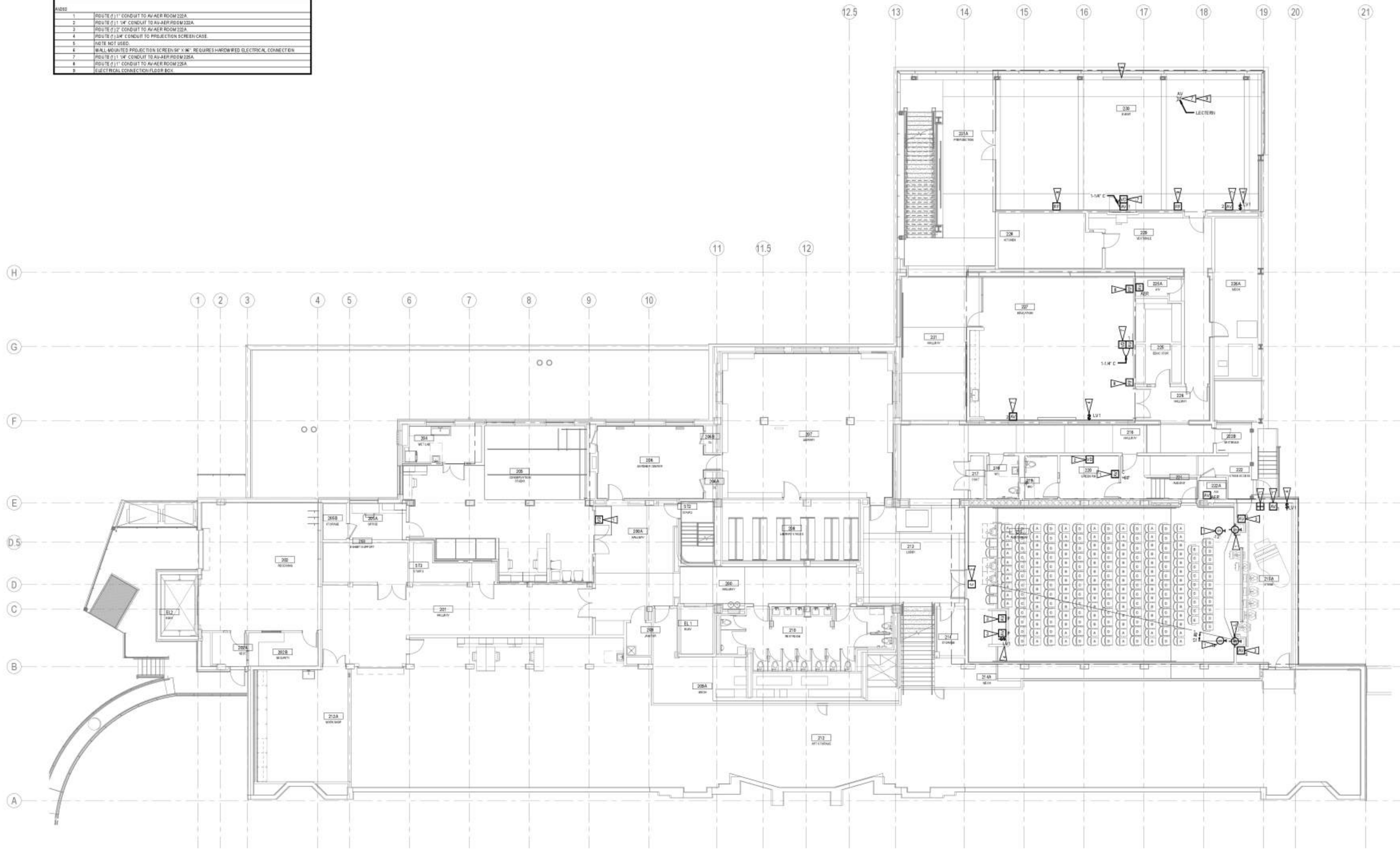
FOR REFERENCE ONLY

Drawn: JH
Checked: RE
LMN Proj No: 16026.01
Date: 6/23/17

Audio Visual Floor Plan - Level 1

AV201

Flag Notes	
AV202	
1	ROUTE 6/1" CONDUIT TO AV-RM ROOM 220A
2	ROUTE 6/1" 1/4" CONDUIT TO AV-RM ROOM 220A
3	ROUTE 6/1" 1/2" CONDUIT TO AV-RM ROOM 220A
4	ROUTE 6/1/4" CONDUIT TO PROJECTION SCREEN CASE
5	NOTE NOT USED
6	WALL MOUNTED PROJECTION SCREEN 60" X 90" REQUIRES HORIZONTAL ELECTRICAL CONNECTION
7	ROUTE 6/1" 1/4" CONDUIT TO AV-RM ROOM 220A
8	ROUTE 6/1" CONDUIT TO AV-RM ROOM 220A
9	ELECTRICAL CONNECTION FLOOR BOX



1 Audio Visual Floor Plan - Level 2
 AV202 1/8" = 1'-0"



LMN Architecture
 Urban Design
 Interiors

Stantec

400 Post-View Avenue N Suite 200
 Seattle, Washington 98109-6932
 (206) 467-0555

SAM ASIAN
 ART
 MUSEUM

Asian Art Museum Expansion & Renovation
 Volunteer Park / 1400 E Prospect /
 Seattle, WA

Submital	Revisions	
No.	Date	Description

Construction Documents

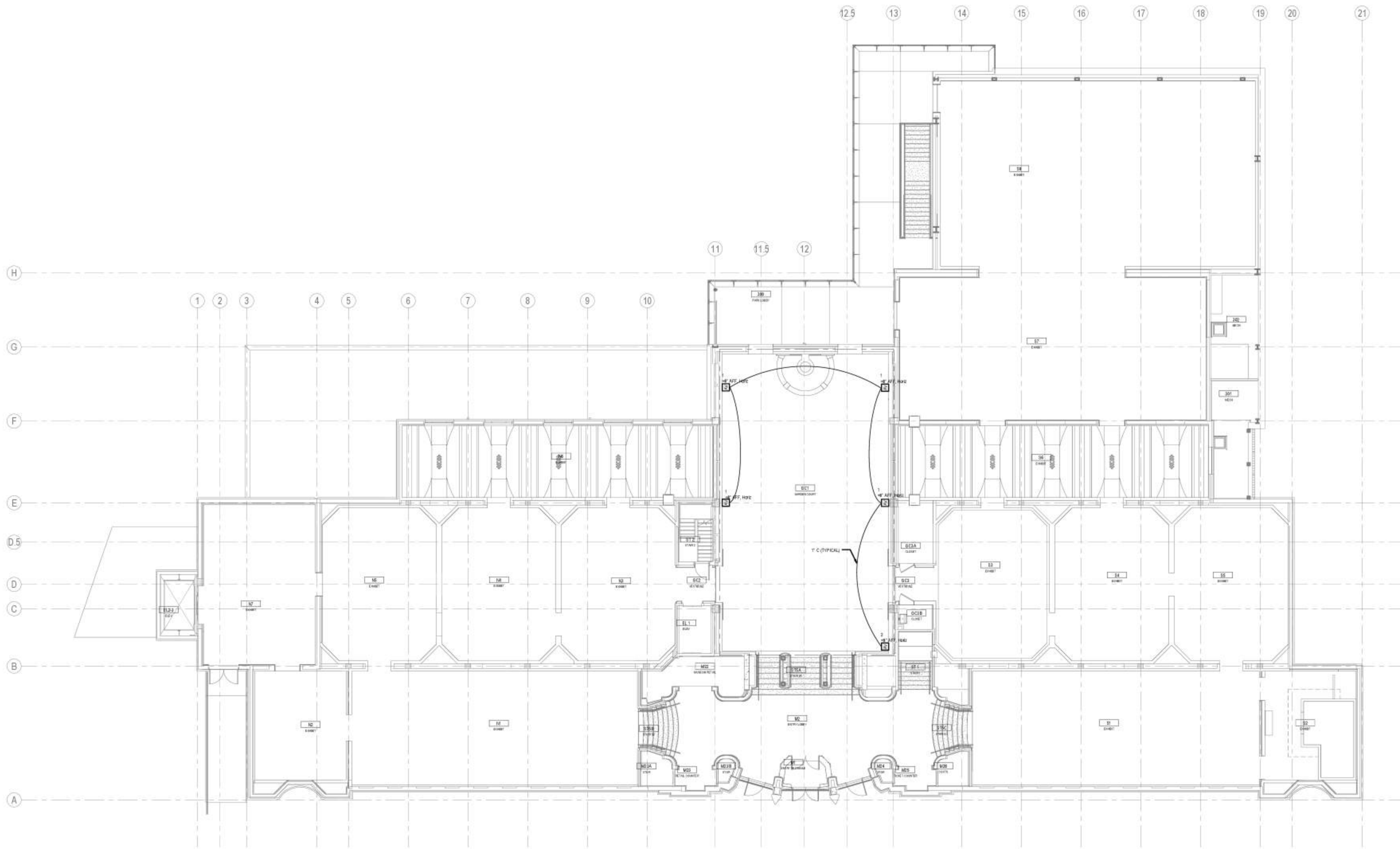
FOR REFERENCE ONLY

Drawn: JH
 Checked: RE
 LMN Proj No: 16026.01
 Date: 6/23/17

Audio Visual Floor Plan - Level 2

AV202

PRINTED: 6/21/2017 9:50:34 AM



1 Audio Visual Floor Plan - Level 3
 AV203 1/8" = 1'-0"

PRINTED: 6/21/2017 9:51:31 AM



SDG Use Only



Asian Art Museum Expansion & Renovation
 Volunteer Park / 1400 E Prospect / Seattle, WA

Submital

Construction Documents

Revisions	No.	Date	Description

FOR REFERENCE ONLY

Drawn: JH
 Checked: RE
 LMN Proj No: 16026.01
 Date: 6/23/17

Audio Visual Floor Plan - Level 3

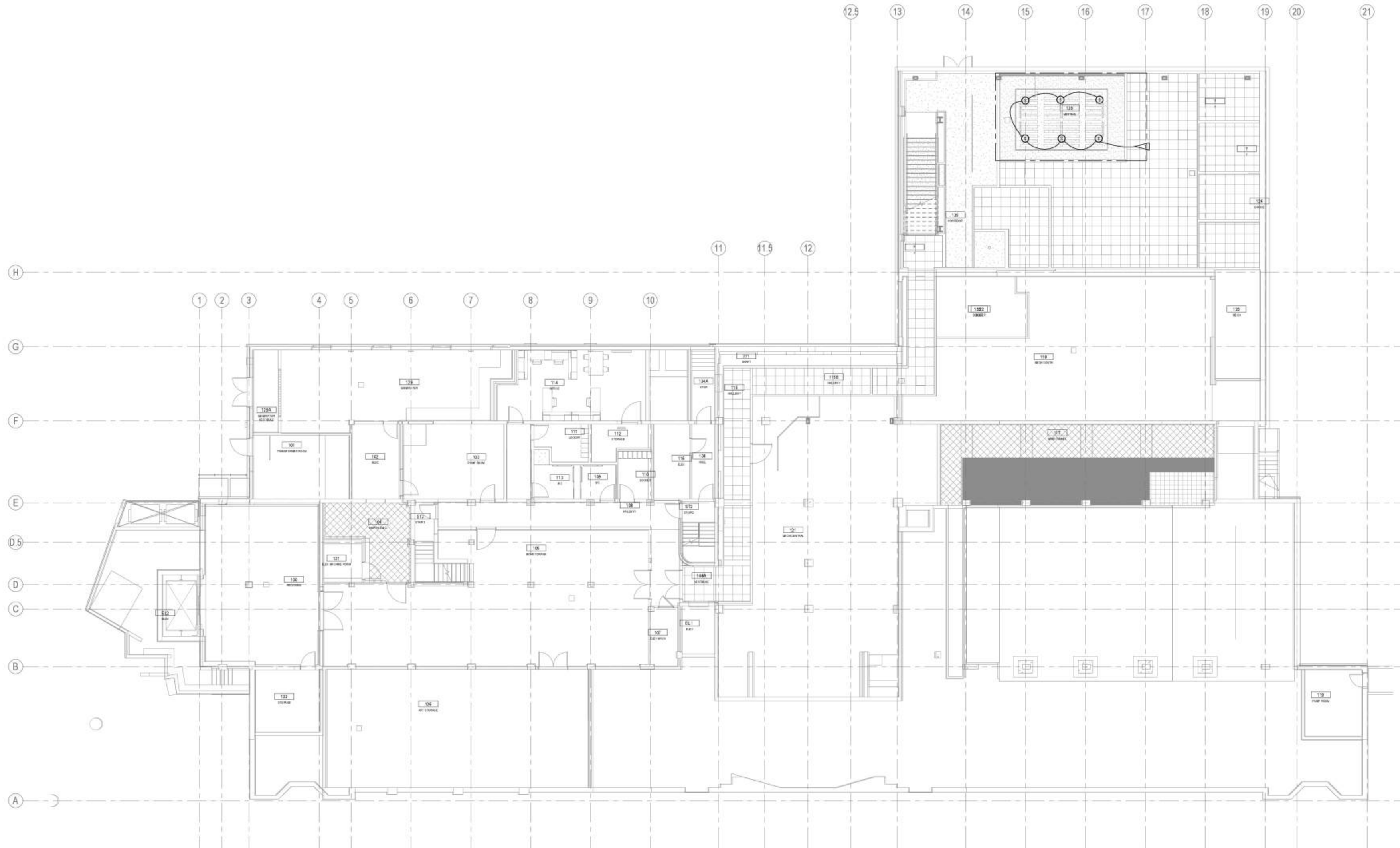
AV203

801 Second Avenue, Suite 501
 Seattle, Washington 98104
 T 206 662 3460
 F 206 343 9388
 www.lmnarchitects.com

400 Postview Avenue N Suite 620
 Seattle Washington 98109-6932
 (206) 467-0555

Flag Notes	
AV701	ROUTE (1") CONDUIT TO NORTH FLOOR BOX

AV GENERAL NOTES
 1. PLACEMENT OF CEILING DEVICES IS APPROXIMATE. REFER TO ARCHITECTURAL SHEETS FOR LOCATION.



2 Audio Visual RCP - Level 1
 AV701 1/8" = 1'-0"

PRINTED 6/21/2017 9:52:37 AM



400 Postview Avenue N Suite 620
 Seattle, Washington 98109-6932
 (206) 467-0555



Asian Art Museum Expansion & Renovation
 Volunteer Park / 1400 E Prospect /
 Seattle, WA

Submitted

Construction Documents

Revisions

No.	Date	Description

Sheet Title

Audio Visual RCP -
 Level 1

Sheet Number

AV701

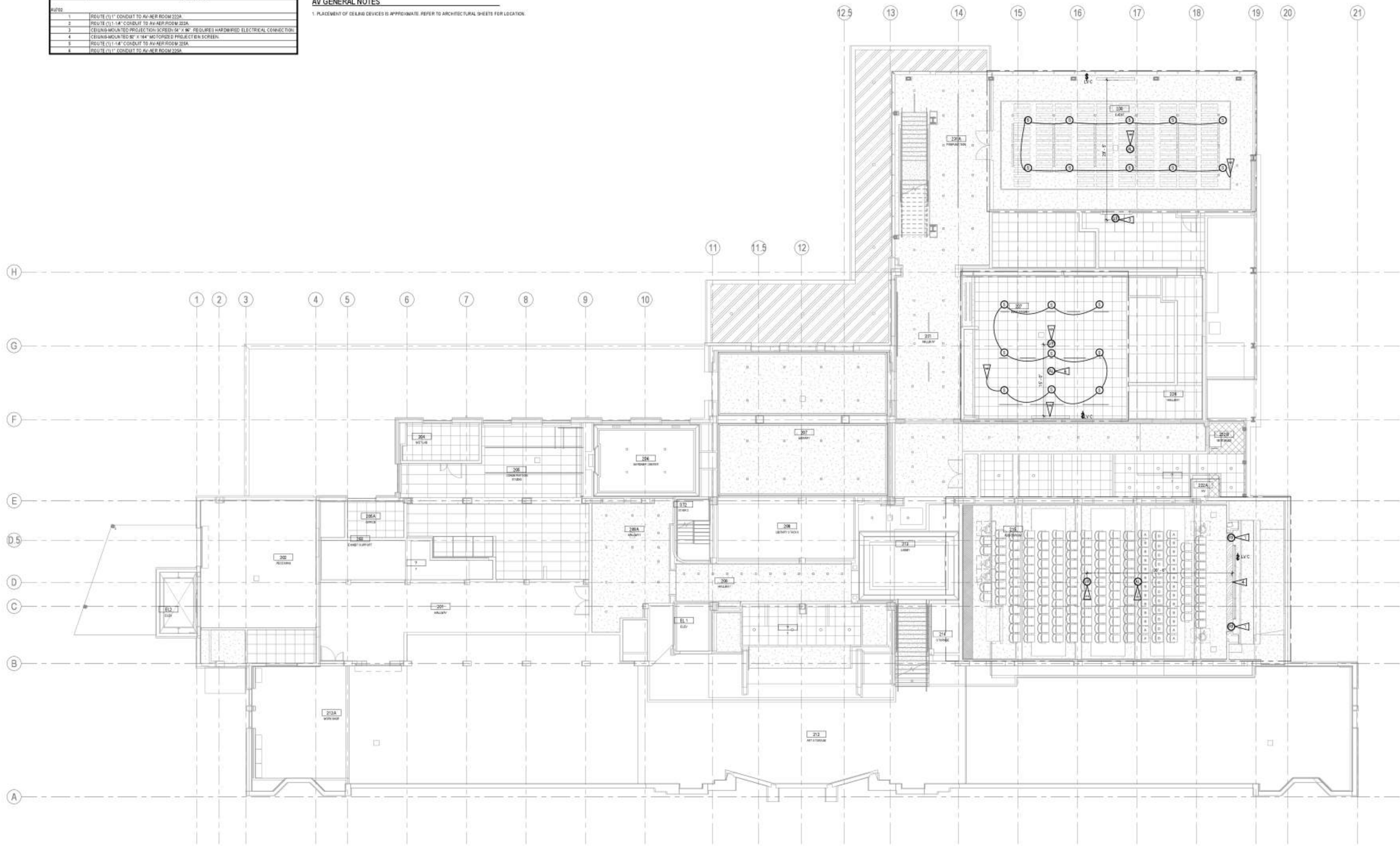
FOR REFERENCE ONLY

Drawn: JH
 Checked: RE
 LMN Proj No: 16026.01
 Date: 6/23/17

801 Second Avenue, Suite 501
 Seattle, Washington 98104
 T 206 662 3460
 F 206 343 9388
 www.lmnarchitects.com

Flag Notes	
1	ROUTE (1) 1" CONDUIT TO AV-RM ROOM 223A
2	ROUTE (1) 1.1/4" CONDUIT TO AV-RM ROOM 223A
3	CEILING-MOUNTED PROJECTION SCREEN 54" W. REQUIRES HARDWIRED ELECTRICAL CONNECTION
4	CEILING-MOUNTED 84" W. 144" MICROLED PROJECTION SCREEN
5	ROUTE (1) 1.1/4" CONDUIT TO AV-RM ROOM 223A
6	ROUTE (1) 1" CONDUIT TO AV-RM ROOM 223A

AV GENERAL NOTES
 1. PLACEMENT OF CEILING DEVICES IS APPROXIMATE. REFER TO ARCHITECTURAL SHEETS FOR LOCATION.



2 Audio Visual RCP - Level 2
 AV702
 1/8" = 1'-0"

PRINTED: 6/21/2017 9:45:39 AM



SDG Use Only



Submit

Revisions		
No.	Date	Description

Sheet	
Title	Number

FOR REFERENCE ONLY

801 Second Avenue, Suite 501
 Seattle, Washington 98104
 T 206 662 3460
 F 206 343 9388
 www.lmnarchitects.com

400 Postview Avenue N Suite 200
 Seattle, Washington 98109-6902
 (206) 467-0555

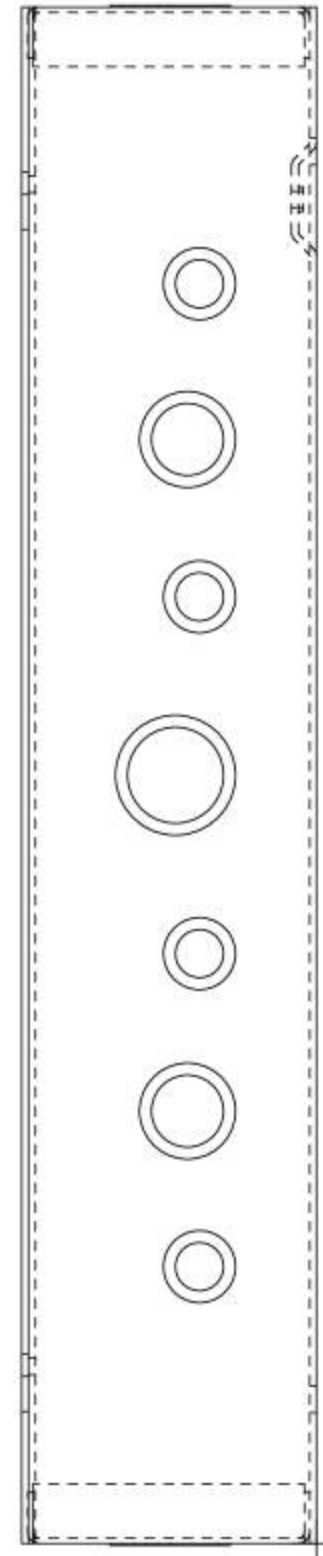
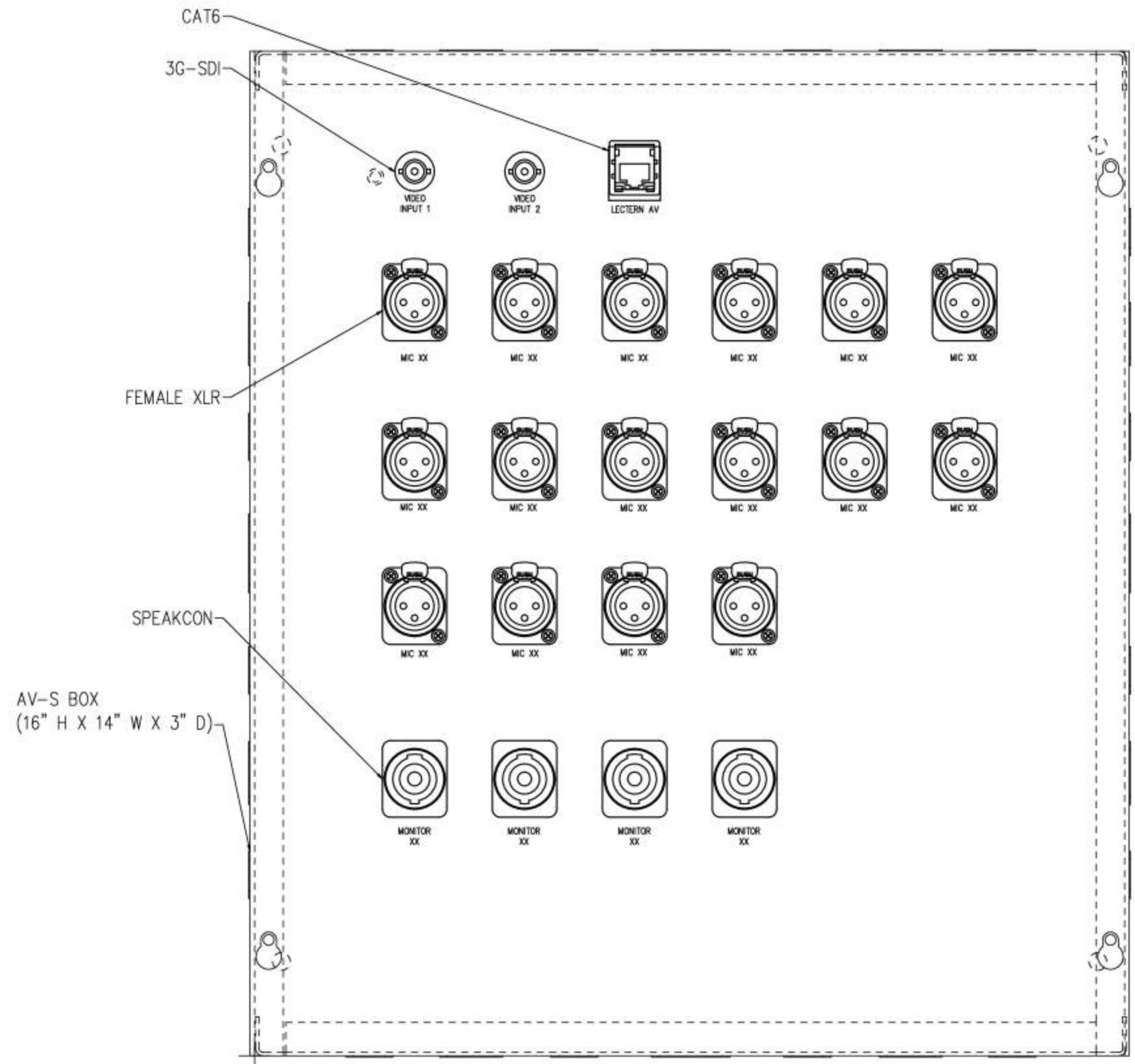
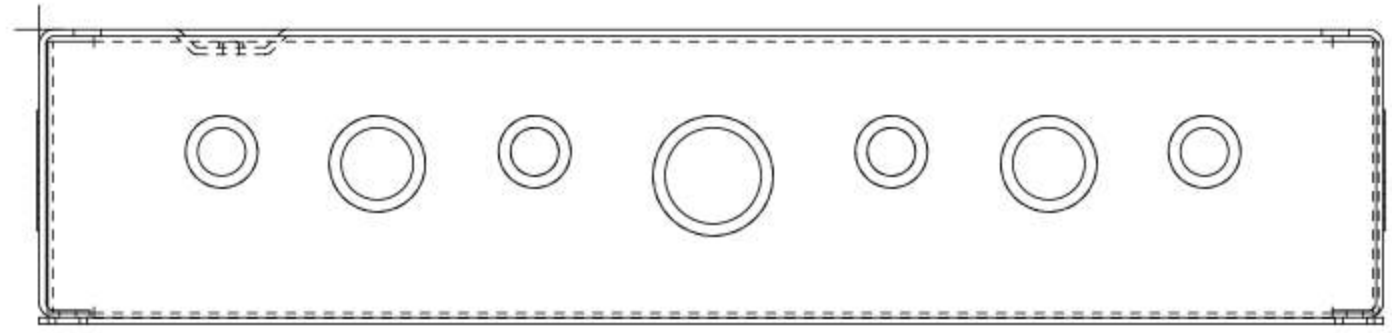
Asian Art Museum Expansion & Renovation
 Volunteer Park / 1400 E Prospect /
 Seattle, WA

Construction Documents

Drawn: JH
 Checked: RE
 LMN Proj No: 16026.01
 Date: 6/23/17

Audio Visual RCP -
 Level 2

AV702

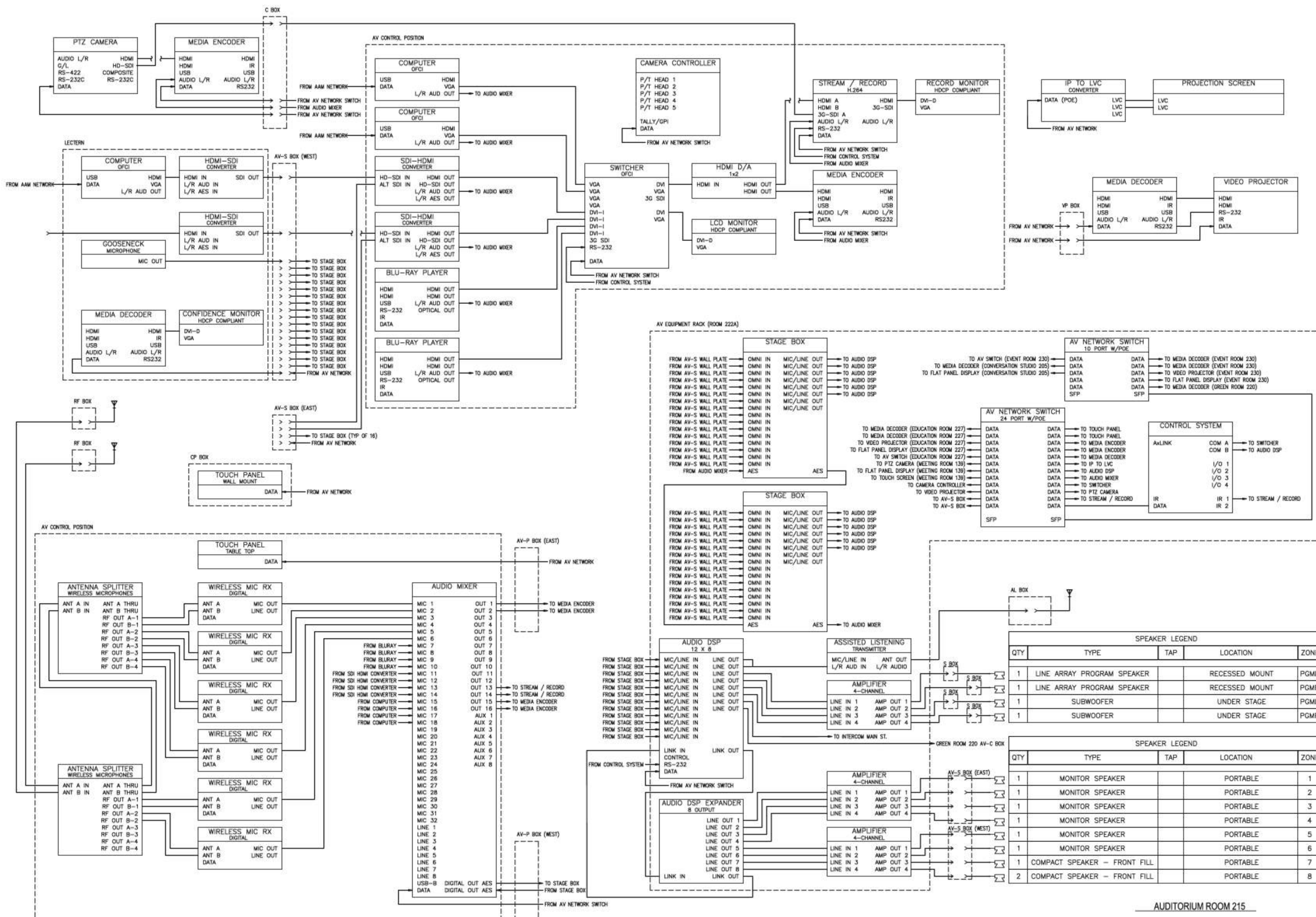


AV-S BOX
(16" H X 14" W X 3" D)

1 AV-S BOX DETAIL
ANSI SCALE: NTS
TYPICAL OF 2

\\s328-r01\morgansp\proj\ACTIVE\06818205\00-000\AV801 - AV DETAIL.dwg, 21, 2017 11:54 AM By JHAMON

Printed: 6/23/17 10:42:29 AM

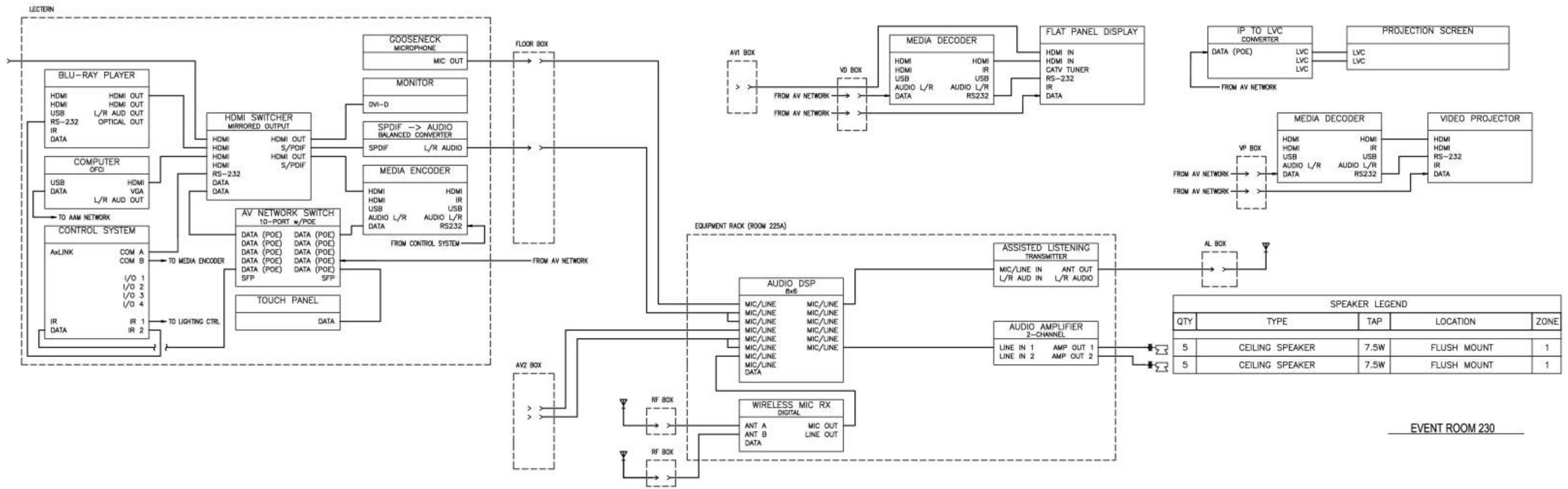


SPEAKER LEGEND				
QTY	TYPE	TAP	LOCATION	ZONE
1	LINE ARRAY PROGRAM SPEAKER		RECESSED MOUNT	PGML
1	LINE ARRAY PROGRAM SPEAKER		RECESSED MOUNT	PGMR
1	SUBWOOFER		UNDER STAGE	PGML
1	SUBWOOFER		UNDER STAGE	PGMR

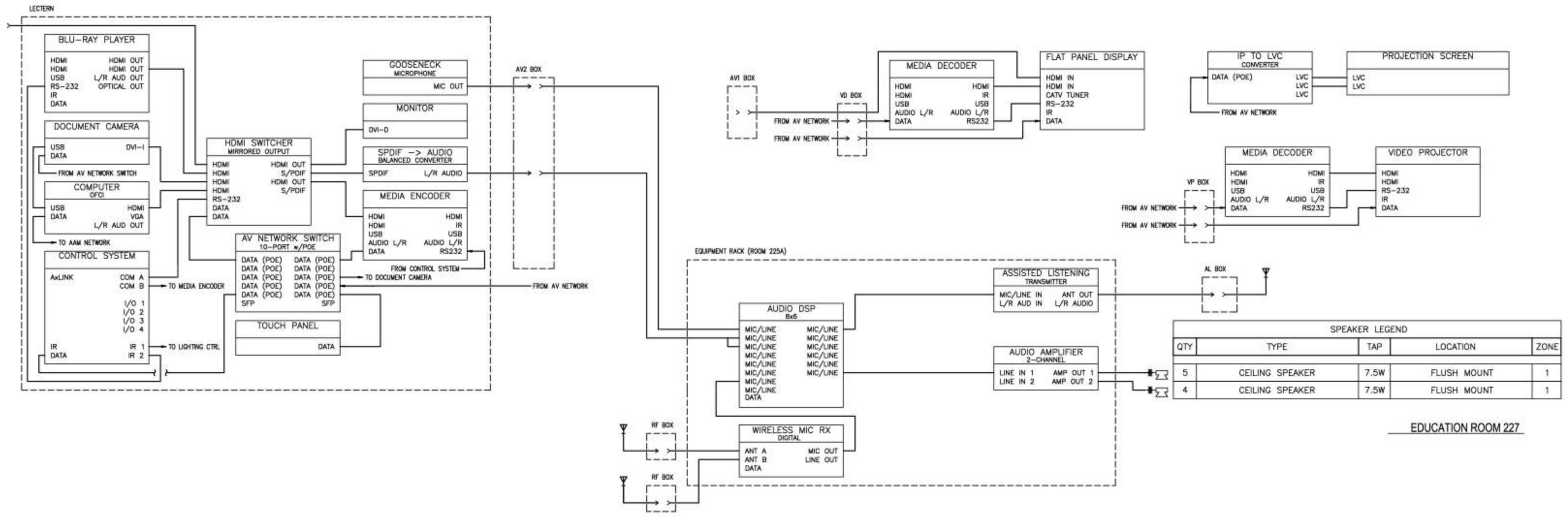
SPEAKER LEGEND				
QTY	TYPE	TAP	LOCATION	ZONE
1	MONITOR SPEAKER		PORTABLE	1
1	MONITOR SPEAKER		PORTABLE	2
1	MONITOR SPEAKER		PORTABLE	3
1	MONITOR SPEAKER		PORTABLE	4
1	MONITOR SPEAKER		PORTABLE	5
1	MONITOR SPEAKER		PORTABLE	6
1	COMPACT SPEAKER - FRONT FILL		PORTABLE	7
2	COMPACT SPEAKER - FRONT FILL		PORTABLE	8

AUDITORIUM ROOM 215

Printed: 6/27/2016 10:42:29 AM



EVENT ROOM 230



EDUCATION ROOM 227

Printed: 6/22/16 10:42:29 AM

SOI/Use Only

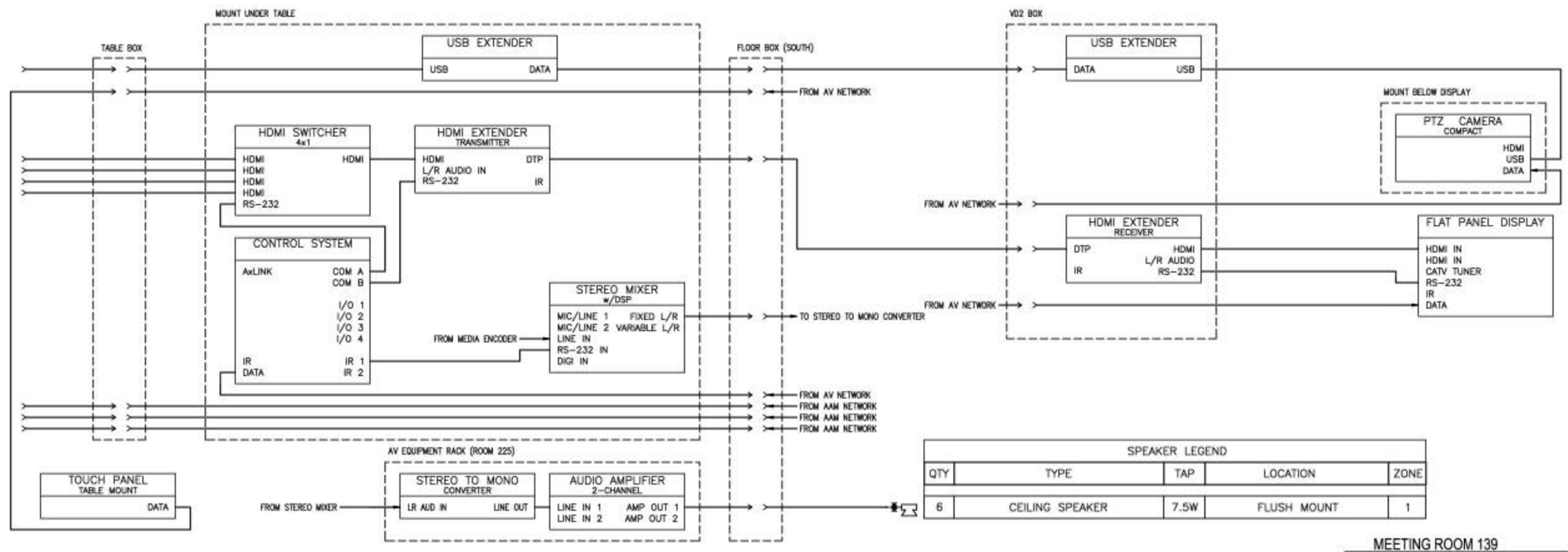
Submit

Revisions
No. Date By Description

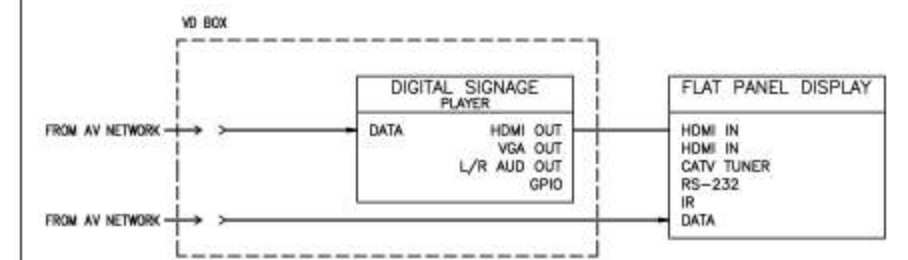
FOR REFERENCE ONLY

Sheet
Title

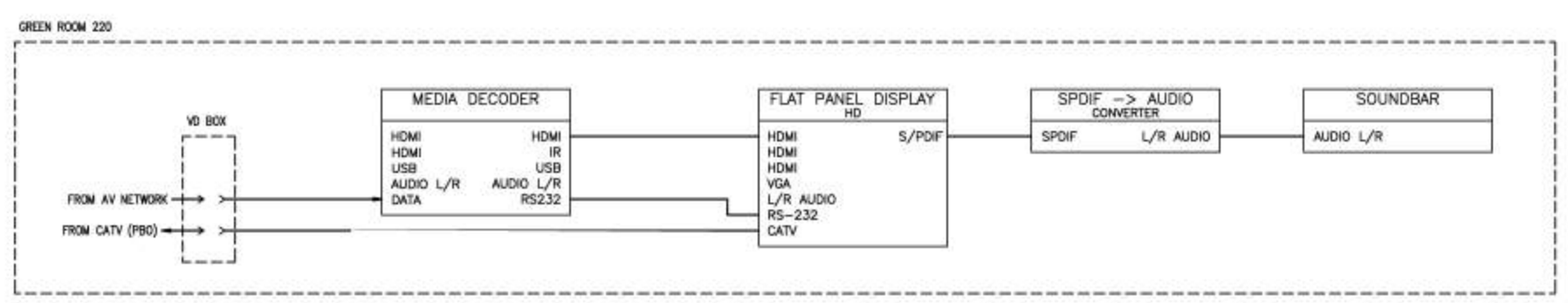
Sheet
Number



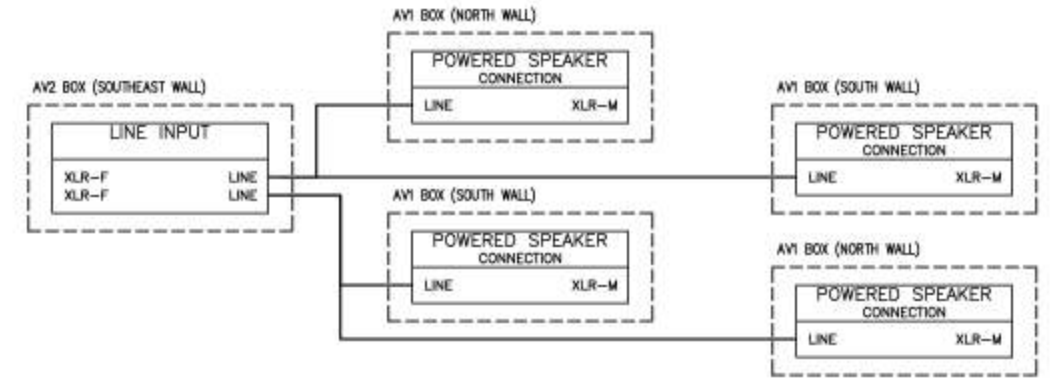
MEETING ROOM 139



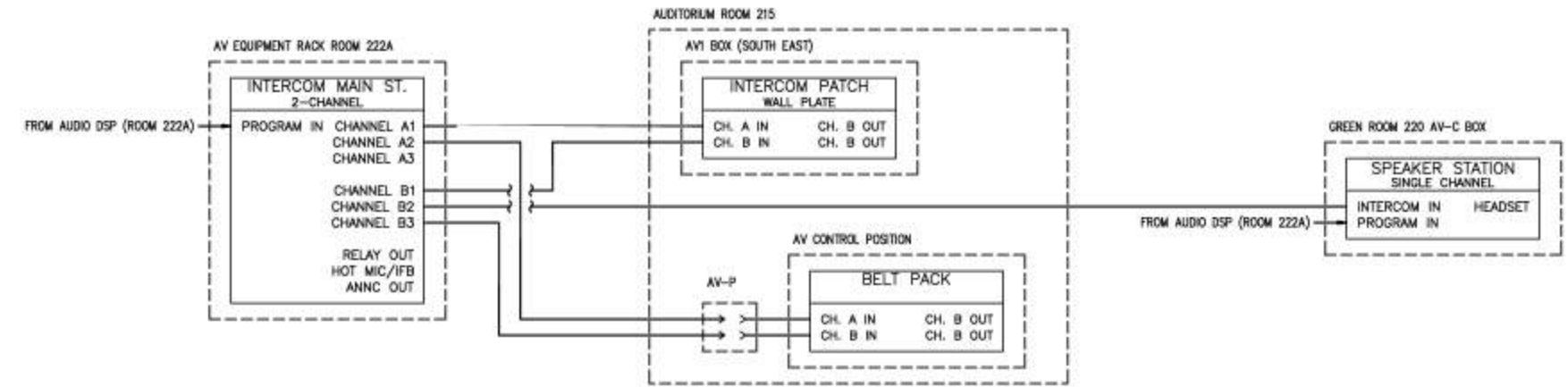
CONSERVATION STUDIO 205
ENTRYWAY



GREEN ROOM 220



GARDEN COURT ROOM GC1



INTERCOM

Printed: 6/22/2016 10:42:29 AM
 \\051328-r01\magnus\p04\active\06818103\040-844\AV903_Av_21_2017_11-17_Av_By-AMN01

VT01 GENERAL ELEVATOR INFORMATION
 VT02 PLANS AND HOISTWAY SECTION ELEVATOR 2

1 INDEX OF DRAWINGS
 VT01 SCALE: NTS

ELEVATOR 2 10,000# @ 100 FPM

2 SUMMARY OF ELEVATORS
 VT01 SCALE: NTS

AFT ABOVE FINISH FLOOR	DM DIMENSION	HP HORSEPOWER	O.A. OVERALL
A.P. ACCESS PANEL	DC DIRECT CURRENT	HYDR. HYDRAULIC	OPP. OPPOSITE
A/C AIR CONDITIONING	DISC. DISCONNECT	IBC INTERNATIONAL BUILDING CODE	DISHHEAD
A.L.T. ALTERNATE	DISG. DISTANCE BETWEEN	IN. INCH (INCHES)	PL. PLATE
AC ALTERNATING CURRENT	DR. DRAWING	INS. INSULATED DATE	PLTFM PLATFORM
ASME AMERICAN SOCIETY OF MECHANICAL ENGINEERS	DN DOWN	ISBT BIPOLAR TRANSUCER	# POUNDS
AMP AMPERE	DWG DRAWING	J/S JOULES PER SECOND	PSI POUNDS PER SQUARE INCH
APPROX. APPROXIMATE	EA. EACH	KCAL KILOCALORIES	PRELIM. PRELIMINARY
ARCH. ARCHITECTURAL	ELEC. ELECTRICAL	KG KILOGRAMS	RAD. RADIIUS
AUX. AUXILIARY	ELV. ELEVATION	KM KILOMETERS	R/O. REAR OPENING
BGMT BASEMENT	ETS EMERGENCY TERMINAL	KVA KILOVOLT-AMPERE	REQ. REQUIRED
BOT. BOTTOM	FLG. FLOOR	KWH KILOWATT-HOURS	REQ. REQUIRED
BTUH BRITISH THERMAL UNITS PER HOUR	EQ. EQUIPMENT	K KIPS	RM ROOM
BM BOCA BUILDING OFFICIALS AND CODE ADMINISTRATION	ESCL. ESCALATOR	LF LIGHT	R/O. REAR OPENING
C. CELLULOS	EX. EXISTING	MPS METERS PER SECOND	SEC. SECONDARY
C. CENTERLINE	F. FLOOR	MRL MACHINE-ROOM-LESS	SECT. SECTION
COL. COLUMN	FM. FEET PER MINUTE	MAZ. MAXIMUM	SH. SHEET
CLR. CLEAR	F.V. FIELD VERIFY	MEZZ. MEZZANINE	SCR. SLOTTED CONTROLLED RECIPER
CONC. CONCRETE	F.F. FINISH FLOOR	M. METER	SM. SIMILAR
CMU CONCRETE MASONRY UNITS	FLR. FLOOR	MM MILLIMETERS	SPEC. SPECIFICATION
CONT. CONTINUOUS	FLUR. FLOOR	MNL. MINIMUM	SF SQUARE FEET
CONTR. CONTRACTOR	FLOOR. FLOOR	MISC. MISCELLANEOUS	SM. SQUARE METERS
COORD. COORDINATE	FLOOR. FLOOR	MG. MOTOR-GENERATOR	STD. STANDARD
COORD. COORDINATE	FLOOR. FLOOR	MFD. MOUNTED	STL. STEEL
CONTR. CONTRACTOR	FLOOR. FLOOR	NEC NATIONAL ELECTRICAL CODE	STRUCT. STRUCTURAL
COORD. COORDINATE	FLOOR. FLOOR	NFPA NATIONAL FIRE PROTECTION ASSOCIATION	SW. SWITCH
CONTR. CONTRACTOR	FLOOR. FLOOR	NO. NUMBER	T.B.D. TO BE DETERMINED
COORD. COORDINATE	FLOOR. FLOOR	NTS NOT TO SCALE	T.O. TOP OF
CONTR. CONTRACTOR	FLOOR. FLOOR	NTS NOT TO SCALE	TYPP. TYPICAL UNLESS NOTED OTHERWISE
COORD. COORDINATE	FLOOR. FLOOR	NTS NOT TO SCALE	VERT. VERTICAL
CONTR. CONTRACTOR	FLOOR. FLOOR	NTS NOT TO SCALE	V. VIDE
COORD. COORDINATE	FLOOR. FLOOR	NTS NOT TO SCALE	W. WITH
CONTR. CONTRACTOR	FLOOR. FLOOR	NTS NOT TO SCALE	W/P. WORKPOINT
COORD. COORDINATE	FLOOR. FLOOR	NTS NOT TO SCALE	

3 ABBREVIATIONS
 VT01 SCALE: NTS

- THESE DRAWINGS FOR GENERAL INFORMATION ONLY. REQUIREMENTS OF INDIVIDUAL VENDORS MAY VARY.
- THESE DRAWINGS TO BE DISTRIBUTED TO APPROPRIATE CONSULTING AND ENGINEERING FIRMS, INCLUDING ARCHITECT, STRUCTURAL, ELECTRICAL AND MECHANICAL ENGINEERS.
- FIELD VERIFY ALL EXISTING DIMENSIONS.
- ROUGH OPENING DIMENSIONS FOR ELEVATOR ENTRANCES APPLY ONLY IN THE CASE OF MASONRY OR CONCRETE CONSTRUCTION.
- VERTICAL STRUCTURAL SUPPORT FOR RAIL BRACKETING IS PROVIDED BY HOISTWAY WALLS IN THE CASE OF REINFORCED CONCRETE HOISTWAY CONSTRUCTION.

4 GENERAL NOTES
 VT01 SCALE: NTS

POWER FEEDER REQUIREMENTS (MAIN POWER SUPPLY: 480-3-60 ASSUMED)											
ELEVATOR NUMBER	CAPACITY (POUNDS)	SPEED (FPM)	TRACTION DRIVE HP RATING	HYDRO MOTOR HP	HYDRO STARTING AMPS			FULL LOAD AMPS		HEAT RELEASE	
					LOCKED ROTOR	SOLID STATE	WYE DELTA	RUNNING	ACCELERATING	MACHINE SPACE BTUH PER CAR	CONTROLLER SPACE BTUH PER CAR
2	10,000	100	N/A	50 EACH	371	201	117	67	N/A	42,000*	

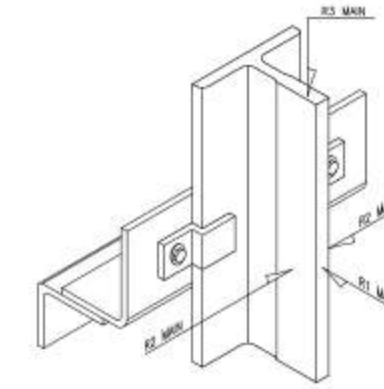
* HEAT RELEASE BASED ON 80 UPSTARTS/HR.

NOTES:

- ELECTRIC POWER AND CURRENT ARE BASED ON THREE (3) PHASE A.C. POWER SUPPLY.
- MAIN POWER TO BE PROVIDED AT EACH CONTROLLER THROUGH DISCONNECTING MEANS MEETING NEC REQUIREMENTS.
- MAIN POWER SUPPLY FEEDERS TO LIMIT VOLTAGE DROP TO LESS THAN 5%.
- USE COPPER CONDUCTORS ONLY.
- FEEDER DEMAND FACTORS (NEC SECTION 430-24 AND 620-14) = (2) CARS= 95% (3) CARS= 90% (4) CARS= 85% (5) CARS= 82% (6) CARS= 79% (7) CARS= 77% (8) CARS= 75% (9) CARS= 73% (10) CARS= 72%
- MACHINE SPACE TEMPERATURE TO BE MIN. 13° C (55° F), MAX. 32° C (90° F). TO BE MEASURED 1838 MM (6'-0") ABOVE FINISH FLOOR AT APPROX. CENTER OF ROOM.
- RELATIVE HUMIDITY MAX. 80% NON-CONDENSING.
- THE SELECTION OF MAIN POWER SUPPLY DISCONNECTING MEANS OVERCURRENT PROTECTION TO BE SIZED IN ACCORDANCE WITH THE NATIONAL ELECTRICAL CODE, SECTIONS 620-51 AND 450-52.
- PROVIDE LOCAL TELEPHONE SERVICE LINE TO EACH CAR CONTROLLER (IF APPLICABLE).
- PROVIDE GFCI CONVENIENCE OUTLETS PIT, MACHINE ROOM AND MACHINERY SPACES. IN PIT, PROVIDE ONE NON-GFCI OUTLET FOR SLUMP PUMP AND/OR OIL RETURN PUMP.
- PROVIDE HOIST MACHINE WITH VOLTAGE TO MATCH SUPPLY VOLTAGE INDICATED, U.N.O.

ADDITIONAL POWER AND DISCONNECT REQUIREMENTS IN MACHINE ROOM			
AUXILIARY SYSTEM	SUPPLY TERMINAL	SUPPLY VOLTAGE	CIRCUIT CAPACITY
CAR LIGHT AND FAN WITH LOCKABLE DISCONNECT	EACH CONTROLLER	120-1-60	(15 AMP PER CAR)
INTERCOM SYSTEM (IF APPLICABLE)	AT AMPLIFIER	120-1-60	1800 WATTS (15 AMP MIN)

5 ELEVATOR ELECTRICAL AND MECHANICAL REQUIREMENTS
 VT01 SCALE: NTS



RAIL FORCES MAXIMUM ON EACH GUIDE RAIL (FORCES ARE IN KIPS)			
ELEVATOR NUMBER	2	OCCURRING ON	
		2	2
NORMAL FORCES	CAR R1	3.1	CAR NORMAL FACE OF MAIN RAIL
	CAR R2	6.1	CAR NORMAL SIDE OF MAIN RAIL - LOADING OR RUNNING
	CAR R3	N/A	FORCE TRANSMITTED TO PIT STRUCTURE AT CAR SAFETY APPLICATION*
CWT SEISMIC **	CWT R1	N/A	FORCE TRANSMITTED TO PIT STRUCTURE AT CWT SAFETY APPLICATION*
	CAR R1	5.8	CAR SEISMIC ** FACE OF MAIN RAIL
	CAR R2	3.4	CAR SEISMIC ** SIDE OF MAIN RAIL - LOADING OR RUNNING
CWT SEISMIC ***	CWT R1	N/A	CWT SEISMIC ** FACE OF CWT RAIL
	CWT R2	N/A	CWT SEISMIC ** SIDE OF CWT RAIL
	CAR R1	5.8	CAR SEISMIC *** FACE OF MAIN RAIL
CWT SEISMIC ***	CAR R2	2.9	CAR SEISMIC *** SIDE OF MAIN RAIL - LOADING OR RUNNING
	CWT R1	N/A	CWT SEISMIC *** FACE OF CWT RAIL
	CWT R2	N/A	CWT SEISMIC *** SIDE OF CWT RAIL

FOR SOME MACHINE ROOM-LESS (MRL) MODELS, PROVIDE ADDITIONAL LATERAL SUPPORTS ABOVE THE TOP TERMINAL FOR LARGE GUIDE RAIL FORCES DUE TO HOIST MACHINE, DEFLECTOR SHAKE, AND DEAD END HITCH LOADS (NORMAL FORCES R1 AND R2 CAN BE OVER 13.3 KN [3.0 K] FOR SOME APPLICATIONS). COORDINATE LOADING AND SUPPORT LOCATIONS WITH ELEVATOR CONTRACTOR.

ASME A17.1

BUILDING SUPPORTS TO RESIST HORIZONTAL FORCES WITH A TOTAL DEFLECTION AT SUPPORT POINT NOT IN EXCESS OF 3 MM (1/8") UNDER NORMAL CONDITIONS.

* THESE REACTIONS DO NOT OCCUR SIMULTANEOUSLY WITH PIT BUFFER REACTIONS

** BUILDING SUPPORTS FOR GUIDE RAIL ATTACHMENT SHALL RESIST HORIZONTAL FORCES WITH A TOTAL DEFLECTION NOT IN EXCESS OF 6.4 MM BASED UPON 0.5 G ACCELERATION DURING SEISMIC CONDITIONS.

IBC

*** BUILDING SUPPORTS FOR GUIDE RAIL ATTACHMENT SHALL RESIST HORIZONTAL FORCES DURING SEISMIC CONDITIONS.

IBC VARIABLES USED FOR SEISMIC CALCULATIONS:
 SEISMIC DESIGN CATEGORY = D
 ELEVATOR IMPORTANCE FACTOR (Ip) = 1.0 (ALL ELEVATORS)
 SDS = 0.882
 HORIZONTAL ACCELERATION EQUIVALENT = PENDING G (FOR REF ONLY)

6 RAIL FORCES
 VT01 SCALE: NTS

Printed 5/15/2017 11:08:53 AM

All drawings furnished by Lorch Bates Inc. (LBI) are instruments of service and shall remain the sole property of LBI. LBI shall retain all copyright, statutory and other reserved rights, including the copyright therein. They are to be used only for this project and are not to be modified, distributed or used for any other project, in whole or in part, except with the written authorization of LBI. LBI accepts no liability for any unauthorized use or modification of these drawings.



SDCI Use Only



Submital

Revisions

No. Date Description

Sheet Title

Sheet Number

FOR REFERENCE ONLY

801 Second Avenue, Suite 501
 Seattle, Washington 98104
 T 206 662 3460
 F 206 343 6596
 www.lmarchitects.com

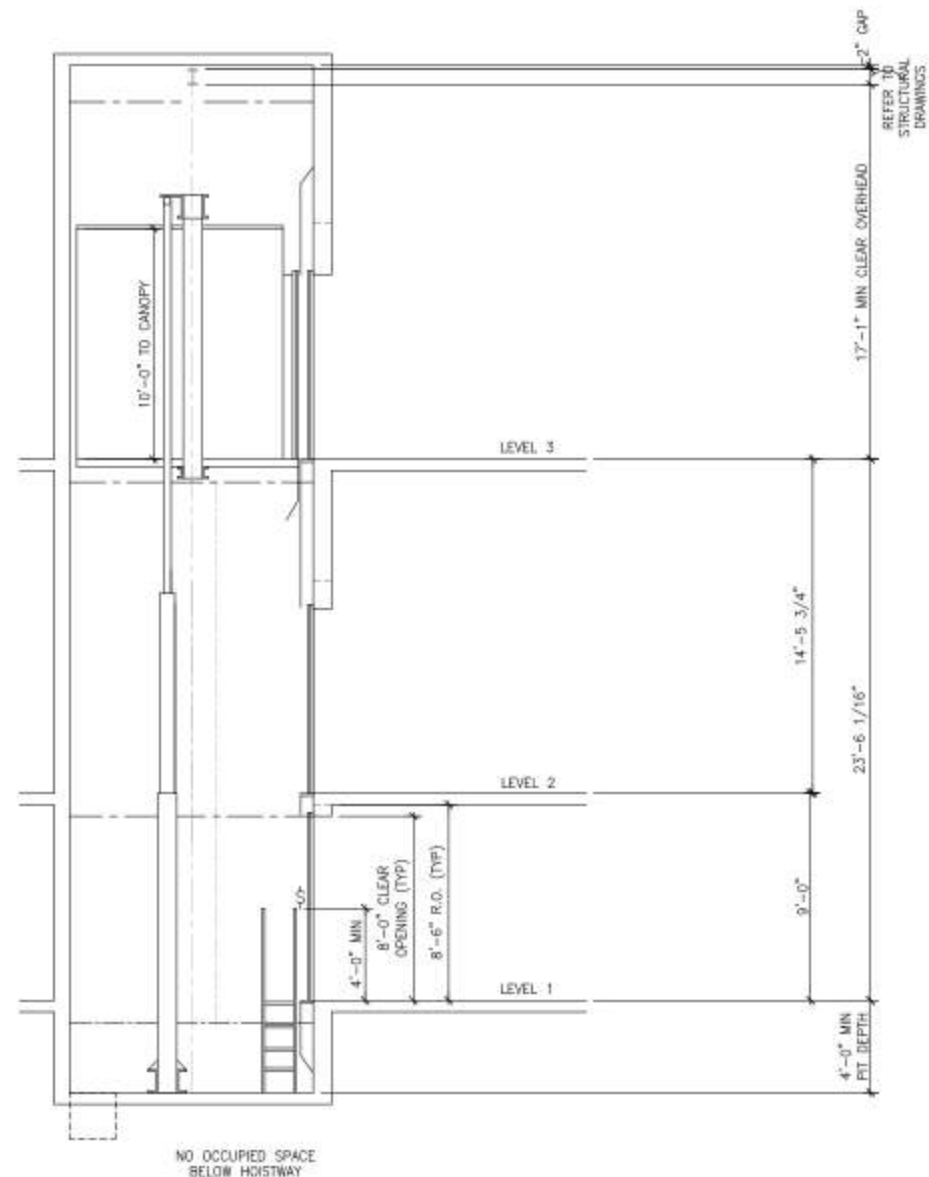
Asian Art Museum Expansion & Renovation
 Volunteer Park / 1400 E Prospect /
 Seattle, WA 98112

Construction Documents

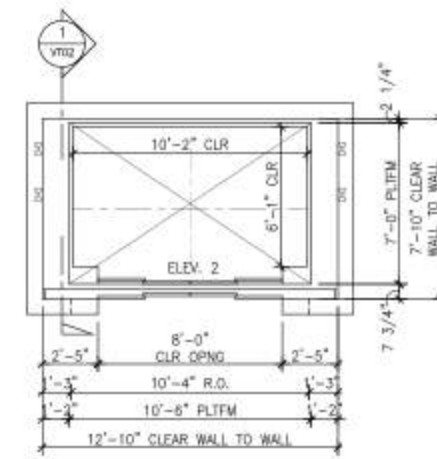
Drawn: CJ
 Checked: Checker
 LMN Proj No: 16028.01
 Date: 06/23/17

GENERAL ELEVATOR INFORMATION

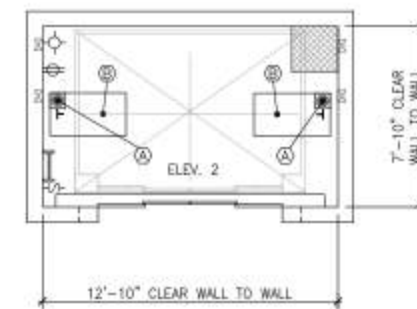
VT01



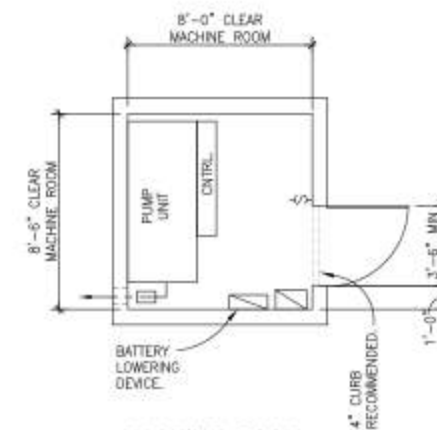
1
VT02
HOISTWAY SECTION
ELEVATOR 2
SCALE: 1/4" = 1'-0"
DUTY: 10,000# @ 100 FPM
C3 LOADING



2
VT02
HOISTWAY PLAN
ELEVATOR 2
SCALE: 1/4" = 1'-0"
DUTY: 10,000# @ 100 FPM
C3 LOADING



3
VT02
PIT PLAN
ELEVATOR 2
SCALE: 1/4" = 1'-0"
DUTY: 10,000# @ 100 FPM
C3 LOADING



4
VT02
MACHINE ROOM
ELEVATOR 2
SCALE: 1/4" = 1'-0"
DUTY: 10,000# @ 100 FPM
C3 LOADING

HOISTWAY NOTES:

1. PROVIDE MIN. 3.0 SF OF SMOKE VENTING TO OUTSIDE AIR PER ELEVATOR.
2. 1070 MM (42") HIGH RAILING PER CODE BY ELEVATOR CONTRACTOR.
3. PROVIDE STRUCTURAL SUPPORT FOR CAR GUIDE RAIL FASTENING AT 4270 MM (14'-0") MAX. VERTICAL SPACING THROUGH TOP OF HOISTWAY. IF THIS SPACING CANNOT BE PROVIDED BY HOISTWAY PERIMETER BEAMS AT EACH FLOOR, AND IF ELEVATOR CONTRACTOR CANNOT PROVIDE BRACKETING FROM TOP AND BOTTOM FLANGE OF HOISTWAY PERIMETER BEAMS TO REDUCE THE SPAN AS NEEDED, PROVIDE INTERMEDIATE SUPPORT BEAMS OR CONTINUOUS VERTICAL STRUCTURE BETWEEN FLOOR BEAMS.
4. ALL VERTICAL DIMENSIONS THAT ARE DIMENSIONED FROM A BUILDING FLOOR ELEVATION ARE DIMENSIONED TO THE FINISH FLOOR ELEVATION.
5. PROVIDE FULL-HEIGHT CONCRETE OR REINFORCED CMU HOISTWAY WALLS FOR GUIDE RAIL BRACKETING.
6. VERTICAL OR ADDITIONAL HORIZONTAL STRUCTURAL SUPPORT FOR RAIL BRACKETING AS REQUIRED FOR CAR FULL HEIGHT OF HOISTWAY AND BOTH SIDES OF HOISTWAY.
7. PROVIDE MIN. 75° BEVEL GUARD AT ANY LEDGE GREATER THAN 100 MM (4") AT REAR OR SIDE WALLS OF HOISTWAY (TYP).

MACHINE ROOM NOTES:

1. PROVIDE 200 MM X 200 MM (8" X 8") BLOCKOUT FOR HYDRAULIC OIL LINE, AND 150 MM X 150 MM (6" X 6") BLOCKOUT FOR ELECTRICAL CONDUIT FOR EACH ELEVATOR. VERIFY LOCATION WITH ELEVATOR CONTRACTOR.
2. VERIFY PATH OF OIL LINE WITH ELEVATOR CONTRACTOR. THE MACHINE ROOM AND HOISTWAY SHALL BE LOCATED ON THE SAME SIDE OF AN EXPANSION JOINT.
3. PROVIDE ADEQUATE LIGHTING TO MAINTAIN MIN. 200 LUX (19 FC) ILLUMINATION AT MACHINE ROOM FLOOR.
4. COORDINATE LIGHT FIXTURES AND UTILITY OUTLETS LOCATION WITH ELEVATOR CONTRACTOR.
5. FOR EQUIPMENT IN THE MACHINE ROOM, A CLEARANCE OF NOT LESS THAN 450 MM (18") SHALL BE PROVIDED IN THE DIRECTION(S) REQUIRED FOR MAINTENANCE, AND A CLEAR PATH OF NOT LESS THAN 450 MM (18") SHALL BE PROVIDED TO ALL COMPONENTS THAT REQUIRE MAINTENANCE.
6. PROVIDE 3-PHASE MAINLINE POWER FEEDER WITH DISCONNECTING MEANS FOR EACH ELEVATOR CONTROLLER. PROVIDE 1-PHASE FEEDER WITH DISCONNECTING MEANS FOR CAR LIGHTING, VENTILATION SYSTEM AND RECEPTACLE FOR EACH ELEVATOR. THESE DISCONNECTING MEANS SHALL INCLUDE OVERCURRENT PROTECTION, SHALL BE LOCATED IN THE MACHINE ROOM, AND SHALL MEET N.E.C. REQUIREMENTS.
7. LOCATE MACHINE ROOM WITHIN 40'-0" OF HOISTWAY.
8. 4" CURB RECOMMENDED.
9. ELEVATOR CONTRACTOR PROVIDE PERMANENT MEANS TO ACCESS UNDERSIDE OF CAR AS REQUIRED.

PIT NOTES:

PIT REACTION TABLE	
DUTY: 10,000# @ 100 FPM	
KEY	REACTION (FORCES IN KIPS)
(A)	39.0 EACH
(B)	36.0 EACH

1. REACTIONS HAVE BEEN DOUBLED FOR IMPACT.
2. REACTIONS DO NOT OCCUR SIMULTANEOUSLY.
3. PROVIDE ADEQUATE LIGHTING TO MAINTAIN MIN. 100 LUX (10 FC) ILLUMINATION AT PIT FLOOR.
4. PROVIDE PIT ACCESS (LADDER(S) OR DOOR(S), LIGHT SWITCH(ES), LIGHT(S), AND GFCO-PROTECTED UTILITY OUTLET(S)).
5. PROVIDE 200 MM X 200 MM (8" X 8") BLOCKOUT FOR HYDRAULIC OIL LINE, AND 150 MM X 150 MM (6" X 6") BLOCKOUT FOR ELECTRICAL CONDUIT FOR EACH ELEVATOR. VERIFY LOCATION WITH ELEVATOR CONTRACTOR.
6. VERIFY PATH OF OIL LINE WITH ELEVATOR CONTRACTOR.
7. COORDINATE LIGHT FIXTURES AND UTILITY OUTLETS LOCATION WITH ELEVATOR CONTRACTOR.
8. PROVIDE ADEQUATE STRUCTURAL SUPPORT AS REQUIRED FOR BUFFER AND HYDRAULIC CYLINDER REACTIONS.
9. PROVIDE INDIRECT PIT DRAIN OR SUMP WITH GRATING COVER LEVEL WITH PIT FLOOR.

Project: 8/15/2017 11:08:59 AM

All drawings furnished by Lorch Bates Inc. (LBI) are instruments of service and shall remain the sole property of LBI. LBI shall retain all common law, statutory and other reserved rights, including the copyright therein. They are to be used only for this project and are not to be modified, distributed or used for any other project, in whole or in part, except with the written authorization of LBI. LBI accepts no liability for any unauthorized use or modification of these drawings.

LMN Architecture
Urban Design
Interiors

SDCI Use Only

SAM ASIAN
ART
MUSEUM

Submital

Revisions
No. Date Description

Sheet
Title

Sheet
Number

FOR REFERENCE ONLY

801 Second Avenue, Suite 501
Seattle, Washington 98104
T 206 662 3460
F 206 343 9386
www.lmarchitects.com

Asian Art Museum Expansion & Renovation
Volunteer Park / 1400 E Prospect /
Seattle, WA 98112

Construction
Documents

Drawn: CJ
Checked: CJ
LMN Proj No: 16028-01
Date: 06/23/17

PLANS AND HOISTWAY
SECTION ELEVATOR 2

VT02