

CHAPTER 1

SCOPE AND ADMINISTRATION

Note: Chapter 1 is entirely Seattle amendments to the *International Fuel Gas Code* and is not underlined.

SECTION 101 TITLE

101.1 Title. These regulations shall be known as the “Seattle Fuel Gas Code,” may be cited as such, and are referred to herein as “this code.” All references to the *International Fuel Gas Code* contained in this code mean the *Seattle Fuel Gas Code*.

SECTION 102 PURPOSE

102.1 Purpose. The purpose of this code is to provide minimum standards to safeguard life or limb, health, property and public welfare by regulating and controlling the design, construction, installation, quality of materials, location, operation, and maintenance or use of fuel gas systems within the City.

The purpose of this code is to provide for and promote the health, safety and welfare of the general public, and not to create or otherwise establish or designate any particular class or group of persons who will or should be especially protected or benefited by the terms of this code.

SECTION 103 APPLICABILITY AND SCOPE

103.1 Scope. This code applies to the erection, installation, alteration, repair, relocation, replacement, addition to, use or maintenance of fuel gas piping systems, fuel-gas utilization equipment and related accessories within the City. The design and testing of equipment regulated by this code are subject to the approval of the code official.

Exceptions:

1. Detached one- and two-family dwellings and multiple single-family dwellings (townhouses) not more than three stories above grade plane with a separate means of egress and their accessory structures shall comply with the *International Residential Code*.
2. The standards for liquefied petroleum gas installations are the 2017 edition of NFPA 58 (*Liquefied Petroleum Gas Code*) and the 2018 edition of ANSI Z223.1/NFPA 54 (*National Fuel Gas Code*), as amended.

103.2 Applicability of city laws. A mechanical permit application shall be considered under the *Seattle Mechanical, Fuel Gas and Energy* codes in effect on a date as provided below, or on a date as otherwise required by law.

1. Mechanical permit applications shall be considered under the codes in effect on the date used to determine the codes applicable to the building permit application according to *Seattle Building Code* Section 101.3 if any of Items 1.1 through 1.3 apply:
 - 1.1. The mechanical permit application is submitted as part of a building permit application;
 - 1.2. The mechanical permit application is for work directly associated with a building permit but is submitted separately from the building permit application; or
 - 1.3. The mechanical permit application is for initial tenant alterations submitted no later than 18 months after the date of the approved final inspection for the building, and is submitted before the expiration date of the building permit for the tenant alteration, as determined by *Seattle Building Code* Section 106.9.
2. Mechanical permit applications other than those subject to Item 1 shall be considered under the codes in effect on the date a complete mechanical permit application is submitted that complies with all the requirements of Section 114.

103.3 Additions, alterations and repairs. Additions, alterations, repairs and replacement of equipment or systems shall comply with the provisions for new equipment and systems except as otherwise provided in Section 104 of this code.

103.4 Internal consistency. If in any specific case, different sections of this code specify different materials, methods of construction or other requirements, the most restrictive governs. If there is a conflict between a general requirement and a specific requirement, the specific requirement governs.

SCOPE AND ADMINISTRATION

103.5 Referenced codes and standards. The codes and standards referenced in this code are part of the requirements of this code to the extent prescribed by each such reference. If differences occur between provisions of this code and referenced codes and standards, the provisions of this code apply.

Exception: Where enforcement of a code provision would violate the conditions of the listing of the equipment or appliance, the conditions of the listing and manufacturer’s instructions apply.

103.6 Appendices. Provisions in the *International Fuel Gas Code* appendices do not apply unless specifically adopted.

103.7 Metric units. Wherever in this code there is a conflict between metric units of measurement and U.S. customary units, the U.S. customary units govern.

103.8 References to other codes. Whenever an International, National or Uniform Code is referenced in this code, it means the Seattle edition of that code, including local amendments. References to the “Building Code”, “Mechanical Code”, “Fire Code”, “Residential Code” and “Plumbing Code” mean the Seattle editions of those codes.

SECTION 104 APPLICATION TO EXISTING MECHANICAL SYSTEMS

104.1 Additions, alterations, renovations or repairs. Additions, alterations, renovations or repairs may be made to any mechanical system without requiring the existing mechanical system to comply with all the requirements of this code, if the addition, alteration, renovation or repair conforms to the standards required for a new mechanical system. Additions, alterations, renovations or repairs shall not cause an existing system to become unsafe, unhealthy or overloaded.

Minor additions, alterations, renovations, and repairs to existing mechanical systems may be installed in accordance with the law in effect at the time the original installation was made, if approved by the code official.

104.2 Existing installations. Mechanical systems lawful at the time of the adoption of this code may continue their use, be maintained or repaired, be converted to another type of fuel, or have components replaced if the use, maintenance, repair, conversion of fuel, or component replacement is done in accordance with the basic original design and location, and no hazard to life, health or property has been or is created by such mechanical system.

104.3 Changes in building occupancy. Mechanical systems that are a part of a building or structure undergoing a change in use or occupancy as defined in the *International Building Code* shall comply with all requirements of this code that are applicable to the new use or occupancy.

104.4 Maintenance. All mechanical systems, materials, equipment, appurtenances and all parts thereof shall be maintained in proper operating condition in accordance with the original design and in a safe and hazard-free condition. All devices or safeguards that were required by a code in effect when the mechanical system was installed shall be maintained in conformance with the code edition under which installed. The owner or the owner’s authorized agent is responsible for maintenance of mechanical systems and equipment. To determine compliance with this subsection, the code official may cause a mechanical system or equipment to be reinspected.

The fire chief and the code official each have authority to obtain compliance with the requirements of this subsection.

Exception: The code official may modify the requirements of this section where all or a portion of the building is unoccupied.

104.5 Moved buildings. Building or structures moved into or within the City shall comply with standards adopted by the code official. No building shall be moved into or within the City unless, prior to moving, the code official has inspected the building for compliance with this code and the permit holder has agreed to correct all deficiencies found and has been issued a building permit for the work. A bond or cash deposit in an amount sufficient to abate or demolish the building shall be posted prior to issuance of a permit. See Section 114 for information required on plans. Any moved building that is not in complete compliance with standards for moved buildings within eighteen months from the date of permit issuance and is found to be a public nuisance may be abated.

104.6 Landmarks—Historic buildings and structures. The code official may modify the specific requirements of this code as it applies to landmarks and require in lieu thereof alternate requirements that, in the opinion of the code official, will result in a reasonable degree of safety to the public and the occupants of those buildings.

For purposes of this section a landmark is a building or structure that is subject to a requirement to obtain a certificate of approval from the City Landmarks Preservation Board before altering or making significant changes to specific features or characteristics, that has been nominated for designation and the City Landmarks Preservation Board has not issued a determination regarding designation, that has been designated for preservation by the City Landmarks Preservation Board, that has been designated for preservation by the State of Washington, that has been listed or determined eligible to be listed in the National Register of Historic Places, or that is located in a landmark or special review district subject to a requirement to obtain a certificate of approval before making a change to the external appearance of a structure.

SECTION 105 ALTERNATE MATERIALS AND METHODS OF CONSTRUCTION

105.1 Alternate materials and methods of construction and design. This code does not prevent the use of any material, design or method of construction not specifically allowed or prohibited by this code, provided the alternate has been approved and its use authorized by the code official. The code official may approve an alternate, provided the code official finds that the proposed alternate complies with the provisions of this code and that the alternate, when considered together with other safety features of the building or other relevant circumstances, will provide at least an equivalent level of strength, effectiveness, fire resistance, durability, safety and sanitation. The code official may require that sufficient evidence or proof be submitted to reasonably substantiate any claims regarding the use or suitability of the alternate. The code official may, but is not required to, record the approval of alternates and any relevant information in the files of the code official or on the approved construction documents.

SECTION 106 MODIFICATIONS

106.1 Modifications. The code official may modify the provisions of this code for individual cases if the code official finds: (1) there are practical difficulties involved in carrying out the provisions of this code; (2) the modification is in conformity with the intent and purpose of this code; and (3) the modification will provide a reasonable level of strength, effectiveness, fire resistance, durability, safety and sanitation when considered together with other safety features of the building or other relevant circumstances. The code official may, but is not required to, record the approval of modifications and any relevant information in the files of the code official or on the approved construction documents.

SECTION 107 TESTS

107.1 Tests. Whenever there is insufficient evidence of compliance with the provisions of this code or evidence that any material or method of construction does not conform to the requirements of this code, the code official may require tests as proof of compliance, to be made at no expense to the City. Test methods shall be as specified in this code or by other recognized test standards. If there are no recognized and accepted test methods for the proposed alternate, the code official shall determine the test procedures. All tests shall be made by an approved agency. Reports of such tests shall be retained by the code official for the period required for retention of public records.

SECTION 108 ORGANIZATION AND DUTIES OF CODE OFFICIAL

108.1 Jurisdiction of the Department of Construction and Inspections. The Department of Construction and Inspections is authorized to administer and enforce this code. Enforcement of Chapters 4 and 7 are the primary responsibility of the Director of Public Health. The Department of Construction and Inspections is under the administrative and operational control of the Director, who is the code official.

108.2 Designees. The code official may appoint such officers, inspectors, assistants and employees as are authorized from time to time. The code official may authorize such employees and other agents as may be necessary to carry out the functions of the code official.

108.3 Right of entry. With the consent of the owner or occupier of a building or premises, or pursuant to a lawfully issued warrant, the code official may enter a building or premises at any reasonable time to perform the duties imposed by this code.

108.4 Liability. Nothing in this code is intended to be nor shall be construed to create or form the basis for any liability on the part of the City, or its officers, employees or agents, for any injury or damage resulting from the failure of equipment to conform to the provisions of this code, or by reason or as a consequence of any inspection, notice, order, certificate, permission or approval authorized or issued or done in connection with the implementation or enforcement of this code, or by reason of any action or inaction on the part of the City related in any manner to the enforcement of this code by its officers, employees or agents.

This code shall not be construed to lessen or relieve the responsibility of any person owning, operating or controlling any equipment, building or structure for any damages to persons or property caused by defects, nor shall the Seattle Department of Construction and Inspections or the City of Seattle be held to have assumed any such liability by reason of the inspections authorized by this code or any permits or certificates issued under this code.

108.5 Responsibility for compliance. Compliance with the requirements of this code is the obligation of the owner of the building, structure or premises, the authorized agent of the owner, and other persons responsible for the condition or work, and not of the City or any of its officers, employees or agents.

SCOPE AND ADMINISTRATION

SECTION 109 UNSAFE EQUIPMENT AND HAZARD CORRECTION ORDER

109.1 Emergency order. Whenever the code official finds that any equipment regulated by this code is in such a dangerous and unsafe condition as to constitute an imminent hazard to life or limb, the code official may issue an emergency order. The emergency order may (1) direct that the equipment be restored to a safe condition by a date certain; (2) require that the building, structure or premises, or portion thereof, containing the equipment be vacated within a reasonable time to be specified in the order, or in the case of extreme danger, the order may specify immediate vacation of the building, structure or premises, or portion thereof; or (3) authorize immediate disconnection of the utilities or energy source.

109.1.1 Service of emergency order. The order shall be posted on the premises or personally served on the owner of the building or premises or any person responsible for the condition. The order shall specify the time for compliance.

109.1.2 Effect of emergency order. No person may occupy a building, structure or premises, or portion thereof, after the date on which the building is required to be vacated until the building, structure or premises, or portion thereof, is restored to a safe condition as required by the order and this code. It is a violation for any person to fail to comply with an emergency order issued by the code official.

109.2 Hazard correction order. Whenever the code official finds that unsafe equipment exists, the code official may issue a hazard correction order specifying the conditions causing the equipment to be unsafe and directing the owner or other person responsible for the unsafe equipment to correct the condition by a date certain. In lieu of correction, the owner may submit a report or analysis to the code official analyzing said conditions and establishing that the equipment is, in fact, safe. The code official may require that the report or analysis be prepared by a licensed engineer.

109.2.1 Service of hazard correction order. The order shall be served upon the owner, agent or other responsible person by personal service or regular first class mail addressed to the last known address of such person or if no address is available after reasonable inquiry, the order may be posted in a conspicuous place on the premises. The order may also be posted if served by personal service or first class mail.

109.2.2 Effect of hazard correction order. It is a violation for any person to fail to comply with a hazard correction order as specified in this subsection.

SECTION 110 ENFORCEMENT, VIOLATIONS AND PENALTIES

110.1 Violations. It is a violation of this code for any person to:

1. Install, erect, construct, enlarge, alter, repair, replace, remodel, move, improve, remove, convert or demolish, equip, occupy, use or maintain any mechanical system or equipment, or cause or permit the same to be done, in the City, contrary to or in violation of any of the provisions of this code.
2. Knowingly aid, abet, counsel, encourage, hire, induce or otherwise procure another to violate or fail to comply with this code.
3. Use any material or install any device, appliance or equipment that is subject to this code and has not been approved by the code official.
4. Violate or fail to comply with any order issued by the code official pursuant to the provisions of this code or with any requirements of this code.
5. Remove, mutilate, destroy or conceal any notice or order issued or posted by the code official pursuant to the provisions of this code, or any notice or order issued or posted by the code official in response to a natural disaster or other emergency.
6. Conduct work under a permit without requesting an inspection as required by Section 116.

110.2 Notice of violation. If, after investigation, the code official determines that standards or requirements of this code have been violated or that orders or requirements have not been complied with, the code official may issue a notice of violation upon the owner, agent, or other person responsible for the action or condition. The notice of violation shall state the standards or requirements violated, shall state what corrective action, if any, is necessary to comply with the standards or requirements, and shall set a reasonable time for compliance.

110.2.1 Service of notice of violation. The notice shall be served upon the owner, agent or other responsible person by personal service or regular first class mail addressed to the last known address of such person, or if no address is available after reasonable inquiry, the notice may be posted in a conspicuous place on the premises. The notice may also be posted if served by personal service or first class mail. Nothing in this section limits or precludes any action or proceeding to enforce this code, and nothing obligates or requires the code official to issue a notice of violation prior to the imposition of civil or criminal penalties.

110.2.2 Review of notice of violation by the code official. Any person affected by a notice of violation issued pursuant to Section 110.2 may obtain a review of the notice by making a request in writing to the code official within ten days after service of the notice. When the last day of the period computed is a Saturday, Sunday, or city holiday, the period runs until 5 p.m. of the next business day.

110.2.2.1 Review procedure. The review shall occur not less than ten nor more than 20 days after the request is received by the code official unless otherwise agreed to by the person requesting the review. Any person affected by the notice of violation may submit additional information to the code official. The review shall be made by a representative of the code official who will review any additional information that is submitted and the basis for issuance of the notice of violation. The reviewer may request clarification of the information received and a site visit.

110.2.2.2 Decision. After the review, the code official shall:

1. Sustain the notice;
2. Withdraw the notice;
3. Amend the notice; or
4. Continue the review to a date certain.

110.2.2.3 Order. The code official shall issue an order containing the decision within 15 days of the date that the review is completed and shall cause the order to be mailed by regular first class mail to the persons requesting the review and the persons named on the notice of violation, addressed to their last known address.

110.3 Stop work orders. The code official may issue a stop work order whenever any work is being done contrary to the provisions of this code, or contrary to a permit issued by the code official, or in the event of dangerous or unsafe conditions related to equipment or construction. The stop work order shall identify the violation and may prohibit work or other activity on the site.

110.3.1 Service of stop work order. The code official shall serve the stop work order by posting it in a conspicuous place at the site. If posting is not physically possible, the stop work order may be served by personal service or by regular first class mail to the last known address of: the property owner, the person doing or causing the work to be done, or the holder of a permit if work is being stopped on a permit. For purposes of this section, service is complete at the time of posting or of personal service, or if mailed, three days after the date of mailing. When the last day of the period so computed is a Saturday, Sunday or city holiday, the period runs until 5 p.m. on the next business day.

110.3.2 Effective date of stop work order. Stop work orders are effective when posted, or if posting is not physically possible, when one of the persons identified in Section 110.3.1 is served.

110.3.3 Review of stop work orders by the code official. Any person aggrieved by a stop work order may obtain a review of the order by delivering to the code official a request in writing within two business days of the date of service of the stop work order.

110.3.3.1 Review procedure. The review shall occur within two business days after receipt by the code official of the request for review unless otherwise agreed by the person making the request. Any person affected by the stop work order may submit additional information to the code official for consideration as part of the review at any time prior to the review. The review will be made by a representative of the code official who will review all additional information received and may also request a site visit.

110.3.3.2 Decision. After the review, the code official may:

1. Sustain the stop work order;
2. Withdraw the stop work order;
3. Modify the stop work order; or
4. Continue the review to a date certain.

110.3.3.3 Order. The code official shall issue an order containing the decision within two business days after the review is completed and shall cause the order to be sent by regular first class mail to the person or persons requesting the review, any person on whom the stop work order was served, and any other person who requested a copy before issuance of the order, addressed to their last known address.

110.4 Authority to disconnect utilities in emergencies. The code official has the authority to disconnect fuel-gas utility service or energy supplies to a building, structure, premises or equipment regulated by this code in case of emergency where necessary to eliminate an immediate hazard to life or property. The code official may enter any building or premises to disconnect utility service. The code official shall, whenever possible, notify the serving utility, the owner and the occupant of the building, structure or premises of the decision to disconnect prior to taking such action, and shall notify the serving utility, owner and occupant of the building, structure or premises in writing of such disconnection immediately thereafter.

110.5 Authority to condemn equipment. Whenever the code official determines that any equipment or portion thereof regulated by this code is hazardous to life, health or property, the code official shall order in writing that such equipment either be

SCOPE AND ADMINISTRATION

disconnected, removed or restored to a safe or sanitary condition, as appropriate. The written notice shall fix a date certain for compliance with such order. It is a violation for any person to use or maintain defective equipment after receiving such notice.

When any equipment or installation is to be disconnected, the code official shall give written notice of such disconnection and causes therefore within 24 hours to the serving utility, the owner and the occupant of the building, structure or premises. When any equipment is maintained in violation of this code, and in violation of a notice issued pursuant to the provisions of this section, the code official shall institute any appropriate action to prevent, restrain, correct or abate the violation.

110.6 Connection after order to disconnect. No person shall make connections from any energy, fuel or power supply nor supply energy or fuel to any equipment regulated by this code that has been disconnected or ordered to be disconnected by the code official, or the use of which has been ordered to be discontinued by the code official until the code official authorizes the reconnection and use of such equipment.

110.7 Civil penalties. Any person violating or failing to comply with the provisions of this code is subject to a cumulative civil penalty in an amount not to exceed \$500 per day for each violation from the date the violation occurs or begins until compliance is achieved. In cases where the code official has issued a notice of violation, the violation will be deemed to begin, for purposes of determining the number of days of violation, on the date compliance is required by the notice of violation.

110.8 Enforcement in Municipal Court. Civil actions to enforce this code shall be brought exclusively in Seattle Municipal Court, except as otherwise required by law or court rule. In any civil action for a penalty, the City has the burden of proving by a preponderance of the evidence that a violation exists or existed; the issuance of a notice of violation or of an order following a review by the code official is not itself evidence that a violation exists.

110.9 Judicial review. Because civil actions to enforce this code must be brought exclusively in Seattle Municipal Court pursuant to Section 110.8, orders of the code official, including notices of violation issued under this chapter, are not subject to judicial review pursuant to chapter 36.70C RCW.

110.10 Alternative criminal penalty. Anyone who violates or fails to comply with any notice of violation or order issued by the code official pursuant to this code or who removes, mutilates, destroys or conceals a notice issued or posted by the code official shall, upon conviction thereof, be punished by a fine of not more than \$5000 or by imprisonment for not more than 365 days, or by both such fine and imprisonment for each separate violation. Each day's violation shall constitute a separate offense.

110.11 Additional relief. The code official may seek legal or equitable relief to enjoin any acts or practices and abate any condition when necessary to achieve compliance.

110.12 Administrative review by the code official. Prior to issuance of the mechanical permit, applicants may request administrative review by the code official of decisions or actions pertaining to the administration and enforcement of this code. Requests shall be addressed to the code official.

110.13 Administrative review by the Construction Codes Advisory Board. After administrative review by the code official, and prior to issuance of the mechanical permit, applicants may request review of decisions or actions pertaining to the application and interpretation of this code by the Construction Codes Advisory Board according to *International Building Code* Section 103.11, except for stop work orders, notices of violations and revocations of permits. The review will be performed by three or more members of the Construction Codes Advisory Board, chosen by the Board Chair. The Chair shall consider the subject of the review and members' expertise when selecting members to conduct a review. The decision of the review panel is advisory only; the final decision is made by the code official.

110.14 Recording. The code official may record a copy of any order or notice with the Department of Records and Elections of King County.

110.15 Appeal to Superior Court. Final decisions of the Seattle Municipal Court on enforcement actions authorized by Title 22 and this code may be appealed pursuant to the Rules for Appeal of Decisions of Courts of Limited Jurisdiction.

SECTION 111 RULES OF THE CODE OFFICIAL

111.1 Authority. The code official has authority to issue interpretations of this code and to adopt and enforce rules and regulations supplemental to this code as may be deemed necessary to clarify the application of the provisions of this code. Such interpretations, rules and regulations shall be in conformity with the intent and purpose of this code.

111.2 Procedure for adoption of rules. The code official shall promulgate, adopt and issue rules according to the procedures specified in the Administrative Code, Chapter 3.02 of the *Seattle Municipal Code*.

SECTION 112 CONSTRUCTION CODES ADVISORY BOARD

112.1 Construction Codes Advisory Board committee. A committee of the Construction Codes Advisory Board may examine proposed administrative rules and amendments relating to this code and related provisions of other codes and make recommendations to the code official and to the City Council for changes in this code. The committee will be called on as needed by the Construction Codes Advisory Board.

SECTION 113 PERMITS

113.1 Permits required. Except as otherwise specifically provided in this code, a permit shall be obtained from the code official prior to each installation, alteration, repair, replacement or remodel of any equipment or mechanical system regulated by this code. A separate mechanical permit is required for each separate building or structure.

113.2 Work exempt from permit. A mechanical permit is not required for the work listed below.

1. Any portable heating appliance, portable ventilating equipment, or portable cooling unit, if the total capacity of these portable appliances does not exceed 40 percent of the cumulative heating, cooling or ventilating requirements of a building or dwelling unit and does not exceed 3 kW or 10,000 Btu input.
2. Any closed system of steam, hot or chilled water piping within heating or cooling equipment regulated by this code.
3. Minor work or the replacement of any component part of a mechanical system that does not alter its original approval and complies with other applicable requirements of this code.

113.3 Compliance required. All work shall comply with this code, even where no permit is required.

113.4 Flood hazard areas. In addition to the permit required by this section, all work to be performed in areas of special flood hazard as defined in Chapter 25.06 of the *Seattle Municipal Code*, subject to additional standards and requirements set forth in Chapter 25.06, the Seattle Floodplain Development Ordinance.

113.5 Emergency repairs. In the case of an emergency, the installation, alteration or repair of any refrigeration system or equipment may be made without a permit, provided that application for a permit is made within the later of 24 hours or one working day from the time when the emergency work was started.

SECTION 114 APPLICATION FOR PERMIT

114.1 Application. To obtain a permit, the applicant shall first file an application in a format determined by the code official. Every such application shall:

1. Identify and describe the work to be covered by the permit for which application is made.
2. Describe the land on which the proposed work is to be done by legal description, property address or similar description that will readily identify and definitely locate the proposed building or work.
3. Provide the contractor's business name, address, phone number and current contractor registration number (required if contractor has been selected).
4. Be accompanied by construction documents, including plans, diagrams, computations and specifications, equipment schedules and other data as required in Sections 114.2 and 114.3.
5. State the valuation of the mechanical work to be done. The valuation of the mechanical work is the estimated current value of all labor and material, whether actually paid for or not, for which the permit is sought.
6. Be signed by the owner of the property or building, or the owner's authorized agent, who may be required to submit evidence to indicate such authority.
7. Give such other data and information as may be required by the code official.
8. State the name of the owner and contractor and the name, address and phone number of a contact person.
9. Substantially conform with applicable law in effect on the date described in Section R101.3, as modified by any exception.

114.2 Construction documents. Construction documents shall be submitted in one or more sets with each application for a permit, or shall be submitted in electronic format determined by the code official. The code official may require plans, computations and specifications to be prepared and designed by an engineer or architect licensed by the state to practice as such. Projects having a total mechanical valuation of \$50,000 or larger shall have a mechanical engineering stamp and signature on each sheet.

SCOPE AND ADMINISTRATION

Exception: A mechanical engineer’s stamp or submission of construction documents is not required if the code official finds that the nature of the work applied for is such that review of construction documents is not necessary to obtain compliance with this code.

114.3 Information on construction documents.

114.3.1 Clarity of plans. Plans shall be drawn to a clearly indicated and commonly accepted scale in a format determined by the code official.

114.3.2 Fire-resistive notes. The code official may require that plans for buildings more than two stories in height of other than Group R-3 and Group U occupancies indicate how required structural and fire-resistive integrity will be maintained where a penetration will be made for electrical, mechanical, plumbing and communication conduits, pipes and similar systems.

114.3.3 Information required on plans. The plans or specifications shall show the following:

1. Layout for each floor with dimensions of all working spaces and a legend of all symbols used.
2. Location, size and material of all piping.
3. Location, size and materials of all air ducts, air inlets and air outlets.
4. Location of all fans, warm-air furnaces, boilers, absorption units, refrigerant compressors and condensers and the weight of all pieces of such equipment weighing 200 pounds or more.
5. Rated capacity or horsepower and efficiency rating of all boilers, warm-air furnaces, heat exchangers, blower fans, refrigerant compressors and absorption units. See also the *International Energy Conservation Code*.
6. Location, size and material of all combustion products vents and chimneys.
7. Location and area of all ventilation and combustion air openings and ducts.
8. Location of all air dampers and fire shutters.
9. The first sheet of each set of plans and specifications shall show the address of the proposed work and the name and address of the owner or lessee of the premises.
10. Architectural drawings, typical envelope cross sections and other drawings or data may be required to support system sizing calculations or other thermal requirements of this code or the *International Energy Conservation Code*.

SECTION 115 APPLICATION REVIEW AND PERMIT ISSUANCE

115.1 Issuance. The application and construction documents shall be reviewed by the code official. The construction documents may be reviewed by other departments of the City to check compliance with the laws and ordinances under their jurisdiction.

115.1.1 Issuance of permit. The code official shall issue a permit to the applicant if the code official finds the following:

1. The work described in the construction documents substantially conforms to the requirements of this code and other pertinent laws and ordinances;
2. The fees specified in the *Seattle Municipal Code*, Title 22, Subtitle IX, Permit Fees have been paid; and
3. The applicant has complied with all requirements to be performed prior to issuance of a permit for the work under other pertinent laws, ordinances or regulations or included in a master use permit, or otherwise imposed by the building official.

When the permit is issued, the applicant or the applicant’s authorized agent becomes the permit holder.

115.1.2 Compliance with approved construction documents. When the code official issues a permit, the code official shall endorse the permit in writing or in electronic format and stamp the plans “APPROVED.” Such approved plans and permit shall not be changed, modified or altered without authorization from the code official, and all work shall be done in accordance with the approved construction documents and permit except as authorized by the code official during field inspection to correct errors or omissions, or as authorized by Section 115.2.

115.2 Revisions to the permit. When changes to the approved work are made during construction, approval of the code official shall be obtained prior to execution. The building or mechanical inspector may approve minor changes for work not reducing the structural strength or fire and life safety of the structure. The building or mechanical inspector shall determine if it is necessary to revise the approved construction documents. If revised plans are required, changes shall be submitted to and approved by the code official, accompanied by fees specified in the *Seattle Municipal Code*, Title 22, Subtitle IX, Permit Fees prior to occupancy. All changes shall conform to the requirements of this code and other pertinent laws and ordinances and other issued permits.

Minor changes shall not incur additional fees if these changes do not (1) add to the general scope of work; (2) change the basic design concept; (3) involve major relocation of equipment, ducts, or pipes; (4) substantially alter approved equipment size; or (5) require extensive re-review of the plans and specifications.

115.3 Cancellation of permit applications. Applications may be cancelled if no permit is issued by the earlier of the following: (1) twelve months following the date of application; or (2) sixty days after the date of written notice that the permit is ready to be issued. After cancellation, construction documents may be returned to the applicant or destroyed by the code official.

The code official shall notify the applicant in writing at least 30 days before the application is cancelled. The notice shall specify a date by which a request for extension must be submitted in order to avoid cancellation. The date shall be at least two weeks prior to the date on which the application will be cancelled.

115.4 Extensions prior to permit issuance. At the discretion of the code official, applications for projects that require more than 12 months to review and approve may be extended for a period that provides reasonable time to complete the review and approval, but in no case longer than 24 months from the date of the original application. No application may be extended more than once. After cancellation, the applicant shall submit a new application and pay a new fee to restart the permit process.

Notwithstanding other provisions of this code, applications may be extended where issuance of the permit is delayed by litigation, preparation of environmental impact statements, appeals, strikes or other causes related to the application that are beyond the applicant's control, or while the applicant is making progress toward issuance of a master use permit.

115.5 Retention of plans. One set of approved plans, which may be on microfilm or in electronic format, shall be retained by the code official. One set of approved plans shall be returned to the applicant and shall be kept at the site of the building or work for use by the inspection personnel at all times when the work authorized is in progress.

115.6 Validity of permit. The issuance or granting of a permit or approval of construction documents shall:

1. Not be construed to be a permit for, or an approval of, any violation of any of the provisions of this code or other pertinent laws and ordinances.
2. Not prevent the code official from requiring the correction of errors in the construction documents, or from preventing building operations being carried on thereunder when in violation of this code or of other pertinent laws and ordinances of the City.
3. Not prevent the code official from requiring correction of conditions found to be in violation of this code or other pertinent laws and ordinances of the City, or
4. Not be construed to extend the period of time for which any such permit is issued or otherwise affect any period of time for compliance specified in any notice or order issued by the code official or other administrative authority requiring the correction of any such conditions.

115.7 Expiration of permits. Authority to do the work authorized by a permit expires 18 months from the date of issuance. An approved renewal extends the life of a permit for an additional 18 months from the prior expiration date. An approved reestablishment extends the life of the permit for 18 months from the date the permit expired.

Exceptions:

1. Initial permits for major construction projects that require more than 18 months to complete may be issued for a period that provides reasonable time to complete the work, according to an approved construction schedule. The building official may authorize a permit expiration date not to exceed three years from the date of issuance.
2. The code official may issue permits that expire in less than 18 months if the code official determines a shorter period is appropriate to complete the work.

115.8 Renewal of permits. Permits may be renewed and renewed permits may be further renewed by the code official, if the following conditions are met:

1. Application for renewal is made within the 30 day period immediately preceding the date of expiration of the permit; and
2. If the project has had an associated discretionary Land Use review, and the land use approval has not expired; and
3. If an application for renewal is made more than 18 months after the date of mandatory compliance with a new or revised edition of this code, the permit shall not be renewed unless:
 - 3.1. The code official determines that the permit complies, or is modified to comply with the *Seattle Mechanical, Fuel Gas and Energy codes* in effect on the date of application for renewal; or
 - 3.2. The work authorized by the permit is substantially underway and progressing at a rate approved by the building official. "Substantially underway" means that normally required inspections have been approved for work such as foundations, framing, mechanical, insulation and finish work is being completed on a continuing basis; or

- 3.3. Commencement or completion of the work authorized by the permit is delayed by litigation, appeals, strikes or other extraordinary circumstances related to the work authorized by the permit, beyond the permit holder's control, subject to approval by the code official.

115.9 Reestablishment of expired permits. A new permit is required to complete work if a permit has expired and was not renewed.

Exception: A permit that expired less than one year prior to the date of a request for reestablishment may be reestablished upon approval of the code official if it complies with Items 2 and 3 of Section 115.8. Once re-established the permit will not be considered to have expired. The new expiration date of a re-established permit shall be determined in accordance with Section 115.7.

115.10 Revocation of mechanical permits. Whenever the code official determines there are grounds for revoking a permit, the code official may issue a notice of revocation. The notice of revocation shall identify the reason for the proposed revocation, including, but not limited to, the violations, the conditions violated, and any alleged false or misleading information provided.

115.10.1 Standards for revocation. The code official may revoke a permit if:

1. The code or the permit has been or is being violated and issuance of a notice of violation or stop work order has been or would be ineffective to secure compliance because of circumstances related to the violation; or
2. The permit was obtained with false or misleading information.

115.10.2 Service of notice of revocation. The notice of revocation shall be served upon the owner, agent or other responsible person by personal service or regular first class mail addressed to the last known address of such person or if no address is available after reasonable inquiry, the notice may be posted in a conspicuous place on the premises. The notice may also be posted if served by personal service or first class mail.

115.10.3 Effective date of revocation. The code official shall identify in the notice of revocation a date certain on which the revocation will take effect. This date may be stayed pending complete review by the code official pursuant to Section 115.10.4.

115.10.4 Review by the code official for notice of revocation. Any person aggrieved by a notice of revocation may obtain a review by making a request in writing to the code official within three business days of the date of service of the notice of revocation. The review shall occur within five business days after receipt by the building official of the request for review. Any person affected by the notice of revocation may submit additional information to the building official for consideration as part of the review at any time prior to the review.

115.10.4.1 Review procedure. The review will be made by a representative of the code official who will review all additional information received and may also request a site visit. After the review, the code official may:

1. Sustain the notice of revocation and affirm or modify the date the revocation will take effect;
2. Withdraw the notice of revocation;
3. Modify the notice of revocation and affirm or modify the date the revocation will take effect; or
4. Continue the review to a date certain.

115.10.4.2 Order of revocation of permit. The code official shall issue an order containing the decision within ten days after the review is completed and shall cause the same to be sent by regular first class mail to the person or persons requesting the review, any other person on whom the notice of revocation was served, and any other person who requested a copy before issuance of the order. The order of the building official is the final order of the City, and the City and all parties shall be bound by the order.

SECTION 116 INSPECTIONS

116.1 General. All construction or work for which a permit is required is subject to inspection by the code official, and certain types of construction shall have special inspections by registered special inspectors specified in Chapter 17 of the *International Building Code*. In addition to the "called" inspections specified above, the code official may make or require any other inspections of any mechanical work to ascertain compliance with the provisions of this code and other laws and ordinances that are enforced by the code official.

116.2 Inspection requests. The owner of the property or the owner's authorized agent, or the person designated by the owner or agent to do the work authorized by a permit shall notify the code official that work requiring inspection as specified in this section and Section 120 is ready for inspection.

116.3 Access for inspection. The permit holder and the person requesting any inspections required by this code shall provide access to and means for proper inspection of such work, including safety equipment required by the Washington Industrial Safety and Health Agency. The work shall remain accessible and exposed for inspection purposes until approved by the code

official. Neither the code official nor the City shall be liable for expense entailed in the required removal or replacement of any material to allow inspection.

116.4 Inspection record. Work requiring a mechanical permit shall not be commenced until the permit holder or the permit holder's agent has posted an inspection record in a conspicuous place on the premises and in a position that allows the code official to conveniently make the required entries regarding inspection of the work. This record shall be maintained in such a position by the permit holder or the permit holder's agent until final approval has been granted by the code official.

116.5 Approvals required. No work shall be done on any part of the building or structure beyond the point indicated in each successive inspection without first obtaining the written approval of the code official.

116.5.1 Effect of approval. Approval as a result of an inspection is not approval of any violation of the provisions of this code or of other pertinent laws and ordinances of the City. Inspections presuming to give authority to violate or cancel the provisions of this code or of other pertinent laws and ordinances of the City are not valid.

116.6 Final inspection. When the installation of a mechanical system is complete, an additional and final inspection shall be made.

116.7 Operation of mechanical equipment. The requirements of this section do not prohibit the operation of any mechanical systems installed to replace existing equipment or fixtures serving an occupied portion of the building in the event a request for inspection of such equipment or fixture has been filed with the code official not more than 48 hours after such replacement work is completed, and before any portion of such mechanical system is concealed by any permanent portion of the building.

116.8 Special investigation. If work that requires a permit or approval is commenced or performed prior to making formal application and receiving the code official's permission to proceed, the code official may make a special investigation inspection before a permit is issued for the work. If a special investigation is made, a special investigation fee may be assessed in accordance with the Fee Subtitle.

116.9 Reinspections. The code official may require a reinspection if work for which inspection is called is not complete, required corrections are not made, the inspection record is not properly posted on the work site, the approved plans are not readily available to the inspector, access is not provided on the date for which inspection is requested, if deviations from construction documents that require the approval of the code official have been made without proper approval, or as otherwise required by the code official.

116.9.1 Compliance with Section 104.4. For the purpose of determining compliance with Section 104.4, Maintenance, the code official or the fire chief may cause any structure or system to be reinspected.

116.9.2 Reinspection fee. The code official may assess a reinspection fee as set forth in the *Seattle Municipal Code*, Title 22, Subtitle IX, Permit Fees for any action for which reinspection is required. In instances where reinspection fees have been assessed, no additional inspection of the work will be performed until the required fees have been paid.

SECTION 117 CONNECTION APPROVAL

117.1 Energy connections. No person shall make connections from a source of energy fuel to a mechanical system or equipment regulated by this code for which a permit is required until approved by the code official.

117.2 Temporary connections. The code official may authorize temporary connection of the mechanical equipment to the source of energy fuel for the purpose of testing the equipment, or for use under a temporary certificate of occupancy.

SECTION 118 FEES

118.1 Fees. A fee for each mechanical permit and for other activities related to the enforcement of this code shall be paid as set forth in the *Seattle Municipal Code*, Title 22, Subtitle IX, Permit Fees.

CHAPTER 2

DEFINITIONS

User note:

About this chapter: Codes, by their very nature, are technical documents. Every word, term and punctuation mark can add to or change the meaning of a technical requirement. It is necessary to maintain a consensus on the specific meaning of each term contained in the code. Chapter 2 performs this function by stating clearly what specific terms mean for the purposes of the code.

SECTION 201 (IFGC) GENERAL

201.1 Scope. Unless otherwise expressly stated, the following words and terms shall, for the purposes of this code and standard, have the meanings indicated in this chapter.

201.2 Interchangeability. Words used in the present tense include the future; words in the masculine gender include the feminine and neuter; the singular number includes the plural and the plural, the singular.

[S] **201.3 Terms defined in other codes.** Where terms are not defined in this code and are defined in the *International Building Code*, *International Fire Code*, *International Mechanical Code* or (~~International~~) *Uniform Plumbing Code*, such terms shall have meanings ascribed to them as in those codes.

201.4 Terms not defined. Where terms are not defined through the methods authorized by this section, such terms shall have ordinarily accepted meanings such as the context implies.

SECTION 202 (IFGC) GENERAL DEFINITIONS

[M] **ACCESS (TO).** That which enables a device, *appliance* or *equipment* to be reached by ready *access* or by a means that first requires the removal or movement of a panel, door or similar obstruction (see also “*Ready access*”).

[M] **AIR, EXHAUST.** Air being removed from any space or piece of *equipment* or *appliance* and conveyed directly to the atmosphere by means of openings or ducts.

[M] **AIR, MAKEUP.** Any combination of outdoor and transfer air intended to replace exhaust air and exfiltration.

AIR CONDITIONER, GAS-FIRED. A gas-burning, automatically operated *appliance* for supplying cooled air, dehumidified air, or both, or chilled liquid.

[M] **AIR CONDITIONING.** The treatment of air so as to control simultaneously the temperature, humidity, cleanness and distribution of the air to meet the requirements of a conditioned space.

[M] **AIR-HANDLING UNIT.** A blower or fan used for the purpose of distributing supply air to a room, space or area.

[A] **ALTERATION.** A change in a system that involves an extension, addition or change to the arrangement, type or purpose of the original installation.

ANODELESS RISER. A transition assembly in which plastic *pipng* is installed and terminated above ground outside of a building.

[M] **APPLIANCE.** Any apparatus or device that utilizes a fuel or a raw material as a fuel to produce light, heat, power, refrigeration or air conditioning. Also, an apparatus that compresses fuel gases.

APPLIANCE, AUTOMATICALLY CONTROLLED. *Appliances* equipped with an automatic burner ignition and safety shutoff device and other automatic devices that accomplish complete turn-on and shutoff of the gas to the main burner or burners, and graduate the gas supply to the burner or burners, but do not affect complete shutoff of the gas.

APPLIANCE, FAN-ASSISTED COMBUSTION. An *appliance* equipped with an integral mechanical means to either draw or force products of combustion through the combustion chamber or heat exchanger.

APPLIANCE, UNVENTED. An *appliance* designed or installed in such a manner that the products of combustion are not conveyed by a vent or chimney directly to the outside atmosphere.

[M] **APPLIANCE, VENTED.** An *appliance* designed and installed in such a manner that all of the products of combustion are conveyed directly from the *appliance* to the outdoor atmosphere through an *approved* chimney or vent system.

DEFINITIONS

APPLIANCE TYPE.

Low-heat appliance (residential appliance). Any *appliance* in which the products of combustion at the point of entrance to the flue under normal operating conditions have a temperature of 1,000°F (538°C) or less.

Medium-heat appliance. Any *appliance* in which the products of combustion at the point of entrance to the flue under normal operating conditions have a temperature of more than 1,000°F (538°C), but not greater than 2,000°F (1093°C).

[A] **APPROVED.** Acceptable to the *code official*.

[A] **APPROVED AGENCY.** An established and recognized agency that is regularly engaged in conducting tests, furnishing inspection services or furnishing certification, where such agency has been *approved* by the *code official*.

ATMOSPHERIC PRESSURE. The pressure of the weight of air and water vapor on the surface of the earth, approximately 14.7 pounds per square inch (psi) (101 kPa absolute) at sea level.

AUTOMATIC IGNITION. Ignition of gas at the burner(s) when the gas controlling device is turned on, including reignition if the flames on the burner(s) have been extinguished by means other than by the closing of the gas controlling device.

BAFFLE. An object placed in an *appliance* to change the direction of or retard the flow of air, air-gas mixtures or flue gases.

BAROMETRIC DRAFT REGULATOR. A balanced damper device attached to a chimney, vent connector, breeching or flue gas manifold to protect combustion *appliances* by controlling chimney draft. A double-acting barometric draft regulator is one whose balancing damper is free to move in either direction to protect combustion appliances from both excessive draft and backdraft.

[S] **BOILER.** ~~(A self-contained *appliance* for supplying steam or hot water.)~~ A closed vessel in which water is heated, steam is generated, steam is superheated, or any combination thereof, under pressure or vacuum by the direct application of heat. The term *boiler* shall also include fire units for heating or vaporizing liquids other than water where these systems are complete within themselves.

~~(Hot water heating boiler. A boiler in which no steam is generated, from which hot water is circulated for heating purposes and then returned to the boiler, and that operates at water pressures not exceeding 160 pounds per square inch gauge (psig) (1100 kPa gauge) and at water temperatures not exceeding 250°F (121°C) at or near the boiler outlet.~~

~~Hot water supply boiler. A boiler, completely filled with water, which furnishes hot water to be used externally to itself, and that operates at water pressures not exceeding 160 psig (1100 kPa gauge) and at water temperatures not exceeding 250°F (121°C) at or near the boiler outlet.~~

~~Steam heating boiler. A boiler in which steam is generated and that operates at a steam pressure not exceeding 15 psig (100 kPa gauge).~~

[S] **BOILER CODE.** The *Seattle Boiler and Pressure Vessel Code*.

BONDING JUMPER. A conductor installed to electrically connect metallic gas *pipng* to the grounding electrode system.

[M] **BRAZING.** A metal-joining process wherein coalescence is produced by the use of a nonferrous filler metal having a melting point above 1,000°F (538°C), but lower than that of the base metal being joined. The filler material is distributed between the closely fitted surfaces of the joint by capillary action.

BROILER. A general term including salamanders, barbecues and other *appliances* cooking primarily by radiated heat, excepting toasters.

BTU. Abbreviation for British thermal unit, which is the quantity of heat required to raise the temperature of 1 pound (454 g) of water 1°F (0.56°C) (1 Btu = 1055 J).

BURNER. A device for the final conveyance of the gas, or a mixture of gas and air, to the combustion zone.

Induced-draft. A burner that depends on draft induced by a fan that is an integral part of the *appliance* and is located downstream from the burner.

Power. A burner in which gas, air or both are supplied at pressures exceeding, for gas, the line pressure, and for air, atmospheric pressure, with this added pressure being applied at the burner.

[M] **CHIMNEY.** A primarily vertical structure containing one or more flues, for the purpose of carrying gaseous products of combustion and air from an *appliance* to the outside atmosphere.

Factory-built chimney. A *listed* and *labeled* chimney composed of factory-made components, assembled in the field in accordance with manufacturer's instructions and the conditions of the listing.

Masonry chimney. A field-constructed chimney composed of solid masonry units, bricks, stones or concrete.

Metal chimney. A field-constructed chimney of metal.

[M] **CLEARANCE.** The minimum distance through air measured between the heat-producing surface of the mechanical *appliance*, device or *equipment* and the surface of the *combustible material* or *assembly*.

CLOTHES DRYER. An *appliance* used to dry wet laundry by means of heated air. Dryer classifications are as follows:

Type 1. Factory-built package, multiple production. Primarily used in family living environment. Usually the smallest unit physically and in function output.

Type 2. Factory-built package, multiple production. Used in business with direct intercourse of the function with the public. Not designed for use in individual family living environment.

[S][A] CODE. These regulations, subsequent amendments thereto or any emergency rule or regulation that ~~((the administrative authority having jurisdiction has lawfully))~~ have been adopted.

[S][A] CODE OFFICIAL. The ~~((officer or other designated authority charged with the administration and enforcement of this code,))~~ Director of the Seattle Department of Construction and Inspections or a duly authorized representative.

[M] COMBUSTIBLE ASSEMBLY. Wall, floor, ceiling or other assembly constructed of one or more component materials that are not defined as noncombustible.

[M] COMBUSTIBLE MATERIAL. Any material not defined as noncombustible.

[M] COMBUSTION. In the context of this code, refers to the rapid oxidation of fuel accompanied by the production of heat or heat and light.

[M] COMBUSTION AIR. Air necessary for complete combustion of a fuel, including theoretical air and excess air.

[M] COMBUSTION CHAMBER. The portion of an *appliance* within which combustion occurs.

[M] COMBUSTION PRODUCTS. Constituents resulting from the combustion of a fuel with the oxygen of the air, including inert gases, but excluding excess air.

[M] CONCEALED LOCATION. A location that cannot be accessed without damaging permanent parts of the building structure or finish surface. Spaces above, below or behind readily removable panels or doors shall not be considered as concealed.

CONCEALED PIPING. *Piping* that is located in a *concealed location* (see “*Concealed location*”).

CONDENSATE. The liquid that condenses from a gas (including flue gas) caused by a reduction in temperature or increase in pressure.

CONNECTOR, APPLIANCE (Fuel). Rigid metallic pipe and fittings, semirigid metallic tubing and fittings or a *listed* and *labeled* device that connects an *appliance* to the *gas piping* system.

CONNECTOR, CHIMNEY OR VENT. The pipe that connects an *appliance* to a chimney or vent.

[A] CONSTRUCTION DOCUMENTS. All of the written, graphic and pictorial documents prepared or assembled for describing the design, location and physical characteristics of the elements of the project necessary for obtaining a mechanical permit.

[M] CONTROL. A manual or automatic device designed to regulate the gas, air, water or electrical supply to, or operation of, a mechanical system.

CONVERSION BURNER. A unit consisting of a burner and its controls for installation in an *appliance* originally utilizing another fuel.

COUNTER APPLIANCES. Appliances such as coffee brewers and coffee urns and any appurtenant water-heating *appliance*, food and dish warmers, hot plates, griddles, waffle bakers and other appliances designed for installation on or in a counter.

CUBIC FOOT. The amount of gas that occupies 1 cubic foot (0.02832 m³) when at a temperature of 60°F (16°C), saturated with water vapor and under a pressure equivalent to that of 30 inches of mercury (101 kPa).

[M] DAMPER. A manually or automatically controlled device to regulate draft or the rate of flow of air or combustion gases.

DECORATIVE APPLIANCE, VENTED. A vented *appliance* wherein the primary function lies in the aesthetic effect of the flames.

DECORATIVE APPLIANCES FOR INSTALLATION IN VENTED FIREPLACES. A vented *appliance* designed for installation within the fire chamber of a vented *fireplace*, wherein the primary function lies in the aesthetic effect of the flames.

DEMAND. The maximum amount of gas input required per unit of time, usually expressed in cubic feet per hour, or Btu/h (1 Btu/h = 0.2931 W).

[BS] DESIGN FLOOD ELEVATION. The elevation of the “design flood,” including wave height, relative to the datum specified on the community’s legally designated flood hazard map. In areas designated as Zone AO, the *design flood elevation* shall be the elevation of the highest existing grade of the *building’s* perimeter plus the depth number (in feet) specified on the flood hazard map. In areas designated as Zone AO where a depth number is not specified on the map, the depth number shall be taken as being equal to 2 feet (610 mm).

DILUTION AIR. Air that is introduced into a draft hood and is mixed with the flue gases.

DEFINITIONS

[M] JOINT, WELDED. A gas-tight joint obtained by the joining of metal parts in molten state.

[A] LABELED. Equipment, materials or products to which have been affixed a label, seal, symbol or other identifying mark of a nationally recognized testing laboratory, *approved* agency or other organization concerned with product evaluation that maintains periodic inspection of the production of the above-labeled items and whose labeling indicates either that the *equipment*, material or product meets identified standards or has been tested and found suitable for a specified purpose.

LEAK CHECK. An operation performed on a gas *pipng* system to verify that the system does not leak.

LIMIT CONTROL. A device responsive to changes in pressure, temperature or level for turning on, shutting off or throttling the gas supply to an *appliance*.

LIQUEFIED PETROLEUM GAS or LPG (LP-GAS). Liquefied petroleum gas composed predominately of propane, propylene, butanes or butylenes, or mixtures thereof that is gaseous under normal atmospheric conditions, but is capable of being liquefied under moderate pressure at normal temperatures.

[A] LISTED. Equipment, materials, products or services included in a list published by an organization acceptable to the *code official* and concerned with evaluation of products or services that maintains periodic inspection of production of *listed equipment* or materials or periodic evaluation of services and whose listing states either that the *equipment*, material, product or service meets identified standards or has been tested and found suitable for a specified purpose.

[M] LIVING SPACE. Space within a *dwelling unit* utilized for living, sleeping, eating, cooking, bathing, washing and sanitation purposes.

LOG LIGHTER. A manually operated solid fuel ignition *appliance* for installation in a vented solid fuel-burning *fireplace*.

LUBRICATED PLUG-TYPE VALVE. A valve of the plug and barrel type provided with means for maintaining a lubricant between the bearing surfaces.

MAIN BURNER. A device or group of devices essentially forming an integral unit for the final conveyance of gas or a mixture of gas and air to the combustion zone, and on which combustion takes place to accomplish the function for which the *appliance* is designed.

METER. The instrument installed to measure the volume of gas delivered through it.

MODULATING. Modulating or throttling is the action of a control from its maximum to minimum position in either predetermined steps or increments of movement as caused by its actuating medium.

[M] NONCOMBUSTIBLE MATERIALS. Materials that, where tested in accordance with ASTM E136, have not fewer than three of four specimens tested meeting all of the following criteria:

1. The recorded temperature of the surface and interior thermocouples shall not at any time during the test rise more than 54°F (30°C) above the furnace temperature at the beginning of the test.
2. There shall not be flaming from the specimen after the first 30 seconds.
3. If the weight loss of the specimen during testing exceeds 50 percent, the recorded temperature of the surface and interior thermocouples shall not at any time during the test rise above the furnace air temperature at the beginning of the test, and there shall not be flaming of the specimen.

[A] OCCUPANCY. The purpose for which a building, or portion thereof, is utilized or occupied.

[M] OFFSET (VENT). A combination of *approved* bends that makes two changes in direction bringing one section of the vent out of line but into a line parallel with the other section.

ORIFICE. The opening in a cap, spud or other device whereby the flow of gas is limited and through which the gas is discharged to the burner.

OUTLET. The point at which a gas-fired *appliance* connects to the gas *pipng* system.

OXYGEN DEPLETION SAFETY SHUTOFF SYSTEM (ODS). A system designed to act to shut off the gas supply to the main and pilot burners if the oxygen in the surrounding atmosphere is reduced below a predetermined level.

[S] PERSON. Any individual, receiver, administrator, executor, assignee, trustee in bankruptcy, trust, estate, firm, partnership, joint venture, club, company, joint stock company, business trust, municipal corporation, political subdivision of the State of Washington, corporation, limited liability company, association, society or any group of individuals acting as a unit, whether mutual, cooperative, fraternal, nonprofit or otherwise, and the United States or any instrumentality thereof.

PILOT. A small flame that is utilized to ignite the gas at the main burner or burners.

[M] PIPING. Where used in this code, “*pipng*” refers to either pipe or tubing, or both.

Pipe. A rigid conduit of iron, steel, copper, copper-alloy or plastic.

Tubing. Semirigid conduit of copper, copper-alloy aluminum, plastic or steel.

DEFINITIONS

Reseating or self-closing type. An automatic valve that opens and closes a relief vent, depending on whether the temperature is above or below a predetermined value.

RELIEF VALVE, VACUUM. A valve that automatically opens and closes a vent for relieving a vacuum within the hot water supply system, depending on whether the vacuum is above or below a predetermined value.

RISER, GAS. A vertical pipe supplying fuel gas.

ROOM HEATER, UNVENTED. See “*Unvented room heater.*”

ROOM HEATER, VENTED. A free-standing heating unit used for direct heating of the space in and adjacent to that in which the unit is located (see “*Vented room heater.*”).

SAFETY SHUTOFF DEVICE. See “*Flame safeguard.*”

SERVICE METER ASSEMBLY. The meter, valve, regulator, piping, fittings and equipment installed by the service gas supplier before the point of delivery.

[BF] SHAFT. An enclosed space extending through one or more stories of a building, connecting vertical openings in successive floors, or floors and the roof.

[A] SLEEPING UNIT. A room or space in which people sleep, which can also include permanent provisions for living, eating and either sanitation or kitchen facilities, but not both. Such rooms and spaces that are also part of a *dwelling unit* are not sleeping units.

SPECIFIC GRAVITY. As applied to gas, specific gravity is the ratio of the weight of a given volume to that of the same volume of air, both measured under the same condition.

STATIONARY FUEL CELL POWER PLANT. A self-contained package or factory-matched packages that constitute an automatically operated assembly of integrated systems for generating electrical energy and recoverable thermal energy that is permanently connected and fixed in place.

SYSTEM SHUTOFF. A valve installed after the point of delivery to shut off the entire piping system.

THERMOSTAT.

Electric switch type. A device that senses changes in temperature and controls electrically, by means of separate components, the flow of gas to the burner(s) to maintain selected temperatures.

Integral gas valve type. An automatic device, actuated by temperature changes, designed to control the gas supply to the burner(s) in order to maintain temperatures between predetermined limits, and in which the thermal actuating element is an integral part of the device.

1. Graduating thermostat. A thermostat in which the motion of the valve is approximately in direct proportion to the effective motion of the thermal element induced by the temperature change.
2. Snap-acting thermostat. A thermostat in which the thermostatic valve travels instantly from the closed to the open position, and vice versa.

[P] THIRD-PARTY CERTIFICATION AGENCY. An *approved* agency operating a product or material certification system that incorporates initial product testing, assessment and surveillance of a manufacturer’s quality control system.

[P] THIRD-PARTY CERTIFIED. Certification obtained by the manufacturer indicating that the function and performance characteristics of a product or material have been determined by testing and ongoing surveillance by an *approved* third-party certification agency. Assertion of certification is in the form of identification in accordance with the requirements of the third-party certification agency.

[P] THIRD-PARTY TESTED. Procedure by which an *approved* testing laboratory provides documentation that a product, material or system conforms to specified requirements.

TOILET, GAS-FIRED. A packaged and completely assembled appliance containing a toilet that incinerates refuse instead of flushing it away with water.

[M] TRANSITION FITTINGS, PLASTIC TO STEEL. An adapter for joining plastic pipe to steel pipe. The purpose of this fitting is to provide a permanent, pressure-tight connection between two materials that cannot be joined directly one to another.

UNIT HEATER. A self-contained, automatically controlled, vented, fuel-gas-burning, space-heating *appliance*, intended for installation in the space to be heated without the use of ducts, and having integral means for circulation of air.

UNLISTED BOILER. A boiler not *listed* by a nationally recognized testing agency.

[S] UNSAFE. Constituting a fire or health hazard or otherwise dangerous to human life, or constituting a hazard to safety, health or public welfare.

DEFINITIONS

VENTING SYSTEM. A continuous open passageway from the flue collar or draft hood of an *appliance* to the outdoor atmosphere for the purpose of removing flue or vent gases. A venting system is usually composed of a vent or a chimney and vent connector, if used, assembled to form the open passageway.

Forced draft venting system. A portion of a venting system using a fan or other mechanical means to cause the removal of flue or vent gases under positive static vent pressure.

Induced draft venting system. A portion of a venting system using a fan or other mechanical means to cause the removal of flue or vent gases under nonpositive static vent pressure.

Mechanical draft venting system. A venting system designed to remove flue or vent gases by mechanical means, that consists of an induced draft portion under non-positive static pressure or a forced draft portion under positive static pressure.

Natural draft venting system. A venting system designed to remove flue or vent gases under nonpositive static vent pressure entirely by natural draft.

WALL HEATER, UNVENTED-TYPE. A room heater of the type designed for insertion in or attachment to a wall or partition. Such heater does not incorporate concealed venting arrangements in its construction and discharges all products of combustion through the front into the room being heated.

[S][M] WATER HEATER. Any listed heating *appliance* or *equipment* that heats potable water and supplies such water to the potable hot water distribution system ((-)) excluding any appliance or equipment that exceeds any of the following:

1. An operating temperature of 210 degrees F (99 degrees C);
2. A maximum allowable working pressure of 160 pounds per square inch (1103 kPa);
3. A volume of 120 gallons (454 L); or
4. A heat input of 200,000 Btu/hr (58.6 kW).

Any appliance or equipment that exceeds any one of these values is classified as a boiler.

CHAPTER 3

GENERAL REGULATIONS

User note:

About this chapter: Chapter 3 addresses many unrelated topics that would be out of place in other chapters that address specific subjects. Topics include listing and labeling, structural safety, appliance locations, access, combustion air, installation requirements, clearances, electrical bonding and condensate disposal.

SECTION 301 (IFGC) GENERAL

[S] **301.1 Scope.** This chapter shall govern the approval and installation of all *equipment* and *appliances* that comprise parts of the installations regulated by this code in accordance with Section ~~((401.2))~~ 103.1. See also the *International Fire Code*.

[W][S] **301.1.1 Other fuels.** The requirements for combustion and dilution air for gas-fired *appliances* shall be governed by Section 304. The requirements for combustion and dilution air for appliances operating with fuels other than fuel gas shall be regulated by the *International Mechanical Code*. The standards for liquefied petroleum gas installations shall be the 2021 Edition of NFPA 58 (*Liquefied Petroleum Gas Code*) and the 2021 Edition of ANSI Z223.1/NFPA 54 (*National Fuel Gas Code*).

301.2 Energy utilization. Heating, ventilating and air-conditioning systems of all structures shall be designed and installed for efficient utilization of energy in accordance with the *International Energy Conservation Code*.

Note: Seattle Energy Code Section C403.1.4 also restricts the use of electric resistance and fossil fuel-fired equipment for HVAC heating in most buildings, and Section C404.2.3 restricts the use of electric resistance and fossil fuel-fired service water heating equipment in Group R-1 and R-2 buildings.

301.3 Listed and labeled. *Appliances* regulated by this code shall be *listed* and *labeled* for the application in which they are used unless otherwise *approved* in accordance with Section 105. The approval of unlisted appliances in accordance with Section 105 shall be based on *approved* engineering evaluation.

301.4 Labeling. Labeling shall be in accordance with the procedures set forth in Sections 301.4.1 through 301.4.2.3.

301.4.1 Testing. An *approved* agency shall test a representative sample of the *appliances* being *labeled* to the relevant standard or standards. The *approved* agency shall maintain a record of all of the tests performed. The record shall provide sufficient detail to verify compliance with the test standard.

301.4.2 Inspection and identification. The *approved* agency shall periodically perform an inspection, which shall be in-plant if necessary, of the *appliances* to be *labeled*. The inspection shall verify that the *labeled* appliances are representative of the appliances tested.

301.4.2.1 Independent. The agency to be *approved* shall be objective and competent. To confirm its objectivity, the agency shall disclose all possible conflicts of interest.

301.4.2.2 Equipment. An *approved* agency shall have adequate *equipment* to perform all required tests. The *equipment* shall be periodically calibrated.

301.4.2.3 Personnel. An *approved* agency shall employ experienced personnel educated in conducting, supervising and evaluating tests.

301.5 Label information. A permanent factory-applied nameplate(s) shall be affixed to appliances on which shall appear in legible lettering, the manufacturer's name or trademark, the model number, serial number and, for *listed* appliances, the seal or mark of the testing agency. A label shall include the hourly rating in British thermal units per hour (Btu/h) (W); the type of fuel *approved* for use with the *appliance*; and the minimum *clearance* requirements.

[S] **301.6 Plumbing connections.** Potable water supply and building drainage system connections to *appliances* regulated by this code shall be in accordance with the ~~((*International*))~~ *Uniform Plumbing Code*.

301.7 Fuel types. *Appliances* shall be designed for use with the type of fuel gas that will be supplied to them.

301.7.1 Appliance fuel conversion. Appliances shall not be converted to utilize a different fuel gas except where complete instructions for such conversion are provided in the installation instructions, by the serving gas supplier or by the *appliance* manufacturer.

the addition of loads to any member, such as HVAC *equipment* and water heaters, shall not be permitted without verification that the truss is capable of supporting such additional loading.

[BS] 302.5 Cutting, notching and boring holes in structural steel framing. The cutting, notching and boring of holes in structural steel framing members shall be as prescribed by the *registered design professional*.

[BS] 302.6 Cutting, notching and boring holes in cold-formed steel framing. Flanges and lips of load-bearing, cold-formed steel framing members shall not be cut or notched. Holes in webs of load-bearing, cold-formed steel framing members shall be permitted along the centerline of the web of the framing member and shall not exceed the dimensional limitations, penetration spacing or minimum hole edge distance as prescribed by the *registered design professional*. Cutting, notching and boring holes of steel floor/roof decking shall be as prescribed by the *registered design professional*.

[BS] 302.7 Cutting, notching and boring holes in non-structural cold-formed steel wall framing. Flanges and lips of nonstructural cold-formed steel wall studs shall be permitted along the centerline of the web of the framing member, shall not exceed 1-1/2 inches (38 mm) in width or 4 inches (102 mm) in length, and the holes shall not be spaced less than 24 inches (610 mm) center to center from another hole or less than 10 inches (254 mm) from the bearing end.

SECTION 303 (IFGC) APPLIANCE LOCATION

303.1 General. Appliances shall be located as required by this section, specific requirements elsewhere in this code and the conditions of the *equipment* and *appliance* listing.

303.2 Hazardous locations. *Appliances* shall not be located in a *hazardous location* unless *listed* and *approved* for the specific installation.

303.3 Prohibited locations. Appliances shall not be located in sleeping rooms, bathrooms, toilet rooms, storage closets or surgical rooms, or in a space that opens only into such rooms or spaces, except where the installation complies with one of the following:

1. The *appliance* is a direct-vent *appliance* installed in accordance with the conditions of the listing and the manufacturer's instructions.
2. Vented room heaters, wall furnaces, vented decorative appliances, vented gas fireplaces, vented gas *fireplace* heaters and decorative appliances for installation in vented solid fuel-burning fireplaces are installed in rooms that meet the required volume criteria of Section 304.5.
3. A single wall-mounted unvented room heater is installed in a bathroom and such unvented room heater is equipped as specified in Section 621.6 and has an input rating not greater than 6,000 Btu/h (1.76 kW). The bathroom shall meet the required volume criteria of Section 304.5.
4. A single wall-mounted unvented room heater is installed in a bedroom and such unvented room heater is equipped as specified in Section 621.6 and has an input rating not greater than 10,000 Btu/h (2.93 kW). The bedroom shall meet the required volume criteria of Section 304.5.
5. The *appliance* is installed in a room or space that opens only into a bedroom or bathroom, and such room or space is used for no other purpose and is provided with a solid weather-stripped door equipped with an *approved* self-closing device. *Combustion air* shall be taken directly from the outdoors in accordance with Section 304.6.
6. A clothes dryer is installed in a residential bathroom or toilet room having a permanent opening with an area of not less than 100 square inches (0.06 m²) that communicates with a space outside of a sleeping room, bathroom, toilet room or storage closet.

303.3.1 Fireplaces and decorative appliances in Group I-2 occupancies. In Group I-2, Condition 2 occupancies, gas *fireplace* appliances and decorative gas appliances shall be prohibited except where such appliances are direct-vent appliances installed in public lobby and waiting areas that are not within smoke compartments containing patient sleeping areas. In Group I-2, Condition 1 occupancies, gas *fireplace* appliances and decorative gas appliances shall be prohibited in patient sleeping rooms. In Group I-2 occupancies, the *appliance* controls shall be located where they can be accessed only by facility staff. Such fireplaces shall comply with Sections 501.2 and 604.1 of this code and Section 915 of the *International Fire Code*.

303.4 Protection from vehicle impact damage. *Appliances* shall not be installed in a location subject to vehicle impact damage except where protected by an *approved* means.

303.5 Indoor locations. Furnaces and boilers installed in closets and alcoves shall be *listed* for such installation.

303.6 Outdoor locations. *Appliances* installed in outdoor locations shall be either *listed* for outdoor installation or provided with protection from outdoor environmental factors that influence the operability, durability and safety of the appliances.

[S] 303.7 Pit locations. Appliances installed in pits or excavations shall not come in direct contact with the surrounding soil. The sides of the pit or excavation shall be held back not less than 12 inches (305 mm) from the *appliance*, and not less than 30

GENERAL REGULATIONS

inches (762 mm) on the control side. Where the depth exceeds 12 inches (305 mm) below adjoining grade, the walls of the pit or excavation shall be lined with concrete or masonry, such concrete or masonry shall extend not less than 4 inches (102 mm) above adjoining grade and shall have sufficient lateral load-bearing capacity to resist collapse. The *appliance* shall be protected from flooding in an *approved* manner.

[S] [B] 303.8 Installation of pipes or ducts conveying gases, vapors or liquids in elevator hoistways, elevator machine rooms or elevator machinery spaces. Pipes and ducts conveying gases, vapors or liquids are not permitted to be installed in elevator hoistways, elevator machine rooms or elevator machinery spaces.

Exceptions:

1. Only ducts for heating, cooling, ventilating and venting these spaces are permitted to be installed in the elevator hoistway, elevator machine room and elevator machinery space.
2. Ducts and electrical conduit may pass through an elevator machine room or elevator machinery space if they are separated from the room or space by construction equal to the rated construction of the room or space and located so that all required clearances are maintained. If a vented elevator machine room is not vented directly to the outside of the building, the vent shall be enclosed within a fire barrier with at least a one-hour fire-resistance rating, or as required for shafts where it passes through occupied floors.
3. Subject to the approval of the code official, pipes protected with double containment and pipes with threaded or welded joints may be permitted in the elevator hoistway, elevator machine room and elevator machinery space. Pipes shall not be located less than 7 feet (2134 mm) above the floor in machine rooms.

[S] [B] 303.9 Interior exit stairways and exit passageways. Mechanical systems shall not be located in interior exit stairways and exit passageways. Penetrations passing entirely through both protective membranes are prohibited.

SECTION 304 (IFGS) COMBUSTION, VENTILATION AND DILUTION AIR

304.1 General. Air for combustion, ventilation and dilution of flue gases for appliances installed in buildings shall be provided by application of one of the methods prescribed in Sections 304.5 through 304.9. Where the requirements of Section 304.5 are not met, outdoor air shall be introduced in accordance with one of the methods prescribed in Sections 304.6 through 304.9. *Direct-vent appliances*, gas appliances of other than natural draft design, vented gas appliances not designated as Category I and appliances equipped with power burners shall be provided with combustion, ventilation and dilution air in accordance with the *appliance* manufacturer's instructions.

Exception: Type 1 clothes dryers that are provided with makeup air in accordance with Section 614.7.

304.2 Appliance location. Appliances shall be located so as not to interfere with proper circulation of combustion, ventilation and dilution air.

304.3 Draft hood/regulator location. Where used, a draft hood or a barometric draft regulator shall be installed in the same room or enclosure as the *appliance* served to prevent any difference in pressure between the hood or regulator and the *combustion air* supply.

304.4 Makeup air provisions. Where exhaust fans, clothes dryers and kitchen ventilation systems interfere with the operation of *appliances*, makeup air shall be provided.

304.5 Indoor combustion air. The required volume of indoor air shall be determined in accordance with Section 304.5.1 or 304.5.2, except that where the air infiltration rate is known to be less than 0.40 air changes per hour (ACH), Section 304.5.2 shall be used. The total required volume shall be the sum of the required volume calculated for all *appliances* located within the space. Rooms communicating directly with the space in which the appliances are installed through openings not furnished with doors, and through *combustion air* openings sized and located in accordance with Section 304.5.3, are considered to be part of the required volume.

304.5.1 Standard method. The minimum required volume shall be 50 cubic feet per 1,000 Btu/h (4.8 m³/kW) of the *appliance* input rating.

304.5.2 Known air-infiltration-rate method. Where the air infiltration rate of a structure is known, the minimum required volume shall be determined as follows:

For appliances other than fan-assisted, calculate volume using Equation 3-1.

$$\text{Required Volume}_{\text{other}} \geq \frac{21 \text{ ft}^3}{\text{ACH}} \left(\frac{I_{\text{other}}}{1,000 \text{ Btu/h}} \right) \quad \text{(Equation 3-1)}$$

GENERAL REGULATIONS

SECTION 306 (IFGC) ACCESS AND SERVICE SPACE

[M] 306.1 Access for maintenance and replacement. Appliances, control devices, heat exchangers and HVAC components that utilize energy shall be accessible for inspection, service, repair and replacement without disabling the function of a fire-resistance-rated assembly or removing permanent construction, other appliances, or any other *pipng* or ducts not connected to the *appliance* being inspected, serviced, repaired or replaced. A level working space not less than 30 inches (762 mm) deep and 30 inches (762 mm) wide shall be provided in front of the control side to service an *appliance*.

[M] 306.2 Appliances in rooms. Rooms containing appliances shall be provided with a door and an unobstructed passageway measuring not less than 36 inches (914 mm) wide and 80 inches (2032 mm) high.

Exception: Within a *dwelling unit*, appliances installed in a compartment, alcove, basement or similar space shall be provided with *access* by an opening or door and an unobstructed passageway measuring not less than 24 inches (610 mm) wide and large enough to allow removal of the largest *appliance* in the space, provided that a level service space of not less than 30 inches (762 mm) deep and the height of the *appliance*, but not less than 30 inches (762 mm), is present at the front or service side of the *appliance* with the door open.

[M] 306.3 Appliances in attics. Attics containing appliances shall be provided with an opening and unobstructed passageway large enough to allow removal of the largest *appliance*. The passageway shall be not less than 30 inches (762 mm) high and 22 inches (559 mm) wide and not more than 20 feet (6096 mm) in length measured along the centerline of the passageway from the opening to the *appliance*. The passageway shall have continuous solid flooring not less than 24 inches (610 mm) wide. A level service space not less than 30 inches (762 mm) deep and 30 inches (762 mm) wide shall be present at the front or service side of the *appliance*. The clear *access* opening dimensions shall be not less than 20 inches by 30 inches (508 mm by 762 mm) and large enough to allow removal of the largest *appliance*.

Exceptions:

1. The passageway and level service space are not required where the *appliance* is capable of being serviced and removed through the required opening.
2. Where the passageway is not less than 6 feet (1829 mm) high for its entire length, the passageway shall be not greater than 50 feet (15 250 mm) in length.

[S][M] 306.3.1 Electrical requirements. A luminaire controlled by a switch located at the required passageway opening and a receptacle outlet shall be provided at or near the *appliance* location in accordance with ((NFPA 70)) the Seattle Electrical Code.

[M] 306.4 Appliances under floors. Under-floor spaces containing appliances shall be provided with an *access* opening and unobstructed passageway large enough to remove the largest *appliance*. The passageway shall be not less than 30 inches (762 mm) high and 22 inches (559 mm) wide, nor more than 20 feet (6096 mm) in length measured along the centerline of the passageway from the opening to the *appliance*. A level service space not less than 30 inches (762 mm) deep and 30 inches (762 mm) wide shall be present at the front or service side of the *appliance*. If the depth of the passageway or the service space exceeds 12 inches (305 mm) below the adjoining grade, the walls of the passageway shall be lined with concrete or masonry extending 4 inches (102 mm) above the adjoining grade and having sufficient lateral-bearing capacity to resist collapse. The clear *access* opening dimensions shall be not less than 22 inches by 30 inches (559 mm by 762 mm), and large enough to allow removal of the largest *appliance*.

Exceptions:

1. The passageway is not required where the level service space is present when the *access* is open and the *appliance* is capable of being serviced and removed through the required opening.
2. Where the passageway is not less than 6 feet high (1829 mm) for its entire length, the passageway shall not be limited in length.

[S][M] 306.4.1 Electrical requirements. A luminaire controlled by a switch located at the required passageway opening and a receptacle outlet shall be provided at or near the *appliance* location in accordance with ((NFPA 70)) the Seattle Electrical Code.

[S][M] 306.5 Equipment and appliances on roofs or elevated structures. Where *equipment or appliances* requiring access ((or appliances)) are located on an elevated structure or the roof of a building such that personnel will have to climb higher than 16 feet (4877 mm) above grade to access such *equipment* or appliances, an interior or exterior means of access shall be provided. Such access shall not require climbing over obstructions greater than 30 inches (762 mm) in height or walking on roofs having a slope greater than 4 units vertical in 12 units horizontal (33-percent slope). Such access shall not require the use of portable ladders.

Permanent ladders installed to provide the required *access* shall comply with the following minimum design criteria:

1. The side railing shall extend above the parapet or roof edge not less than ((30)) 42 inches (((762))) 1067 mm).

2. Ladders shall have rung spacing not to exceed ~~((14))~~ 12 inches (~~((356))~~ 305 mm) on center. The upper-most rung shall be not more than 24 inches (610 mm) below the upper edge of the roof hatch, roof or parapet, as applicable.
3. Ladders shall have a toe spacing not less than ~~((6))~~ 7 inches (~~((152))~~ 178 mm) deep.
4. There shall be not less than 18 inches (457 mm) between rails.
5. Rungs shall have a diameter not less than 0.75-inch (19 mm) and be capable of withstanding a 300-pound (136.1 kg) load.
6. Ladders over 30 feet (9144 mm) in height shall be provided with offset sections and landings capable of withstanding 100 pounds per square foot (488.2 kg/m²). Landing dimensions shall be not less than 18 inches (457 mm) and not less than the width of the ladder served. A guard rail shall be provided on all open sides of the landing.
7. Climbing clearance. The distance from the centerline of the rungs to the nearest permanent object on the climbing side of the ladder shall be not less than 30 inches (762 mm) measured perpendicular to the rungs. This distance shall be maintained from the point of ladder access to the bottom of the roof hatch. A minimum clear width of 15 inches (381 mm) shall be provided on both sides of the ladder measured from the midpoint of and parallel with the rungs, except where cages or wells are installed.
8. Landing required. The ladder shall be provided with a clear and unobstructed bottom landing area having a minimum dimension of 30 inches by 30 inches (762 mm by 762 mm) centered in front of the ladder.
9. Ladders shall be protected against corrosion by *approved* means.
10. Access to ladders shall be provided at all times.

Interpretation: Item 10 allows access to ladders to be restricted to authorized personnel, and prohibits storage that blocks or restricts access to the ladder.

Catwalks installed to provide the required *access* shall be not less than 24 inches (610 mm) wide and shall have railings as required for service platforms.

Exception: This section shall not apply to Group R-3 *occupancies*.

[M] **306.5.1 Sloped roofs.** Where appliances, *equipment*, fans or other components that require service are installed on a roof having a slope of 3 units vertical in 12 units horizontal (25-percent slope) or greater and having an edge more than 30 inches (762 mm) above grade at such edge, a level platform shall be provided on each side of the *appliance* or *equipment* to which *access* is required for service, repair or maintenance. The platform shall be not less than 30 inches (762 mm) in any dimension and shall be provided with guards. The guards shall extend not less than 42 inches (1067 mm) above the platform, shall be constructed so as to prevent the passage of a 21-inch-diameter (533 mm) sphere and shall comply with the loading requirements for guards specified in the *International Building Code*. *Access* shall not require walking on roofs having a slope greater than 4 units vertical in 12 units horizontal (33-percent slope). Where *access* involves obstructions greater than 30 inches (762 mm) in height, such obstructions shall be provided with ladders installed in accordance with Section 306.5 or stairways installed in accordance with the requirements specified in the *International Building Code* in the path of travel to and from appliances, fans or *equipment* requiring service.

[S][M] **306.5.2 Electrical requirements.** A receptacle outlet shall be provided at or near the *appliance* location in accordance with ~~((NFPA 70))~~ the *Seattle Electrical Code*.

[M] **306.6 Guards.** Guards shall be provided where various components that require service and roof hatch openings are located within 10 feet (3048 mm) of a roof edge or open side of a walking surface and such edge or open side is located more than 30 inches (762 mm) above the floor, roof, or grade below. The guard shall extend not less than 30 inches (762 mm) beyond each end of components that require service and each end of the roof hatch parallel to the roof edge. The top of the guard shall be located not less than 42 inches (1067 mm) above the elevated surface adjacent to the guard. The guard shall be constructed so as to prevent the passage of a 21-inch-diameter (533 mm) sphere and shall comply with the loading requirements for guards specified in the *International Building Code*.

Exception: Guards are not required where permanent fall arrest/restraint anchorage connector devices that comply with ANSI/ASSP Z 359.1 are affixed for use during the entire lifetime of the roof covering. The devices shall be reevaluated for possible replacement when the entire roof covering is replaced. The devices shall be placed not more than 10 feet (3048 mm) on center along hip and ridge lines and placed not less than 10 feet (3048 mm) from roof edges and the open sides of walking surfaces.

SECTION 307 (IFGC) CONDENSATE DISPOSAL

307.1 Evaporators and cooling coils. Condensate drainage systems shall be provided for *equipment* and *appliances* containing evaporators and cooling coils in accordance with the *International Mechanical Code*.

GENERAL REGULATIONS

[S] **307.2 Fuel-burning appliances.** Liquid combustion byproducts of condensing appliances shall be collected, pH-neutralized and discharged to an *approved* plumbing fixture or disposal area in accordance with the manufacturer's instructions. Condensate *pipng* shall be of *approved* corrosion-resistant material and shall be not smaller than the drain connection on the *appliance*. Such *pipng* shall maintain a minimum slope in the direction of discharge of not less than 1/8 unit vertical in 12 units horizontal (1-percent slope). The termination of concealed condensate *pipng* shall be marked to indicate whether the *pipng* is connected to the primary drain or to the secondary drain.

[S][M] **307.3 Drain pipe materials and sizes.** Components of the condensate disposal system shall be ABS, cast iron, copper and copper alloy, CPVC, cross-linked polyethylene, galvanized steel, PE-RT, polyethylene, polypropylene, PVC or PVDF pipe or tubing. Components shall be selected for the pressure and temperature rating of the installation. Joints and connections shall be made in accordance with the applicable provisions of Chapter 7 of the (~~International~~) *Uniform Plumbing Code* relative to the material type. Condensate waste and drain line size shall be not less than 3/4-inch (19 mm) pipe size and shall not decrease in size from the drain pan connection to the place of condensate disposal. Where the drain pipes from more than one unit are manifolded together for condensate drainage, the pipe or tubing shall be sized in accordance with an *approved* method.

307.4 Traps. Condensate drains shall be trapped as required by the *equipment* or *appliance* manufacturer.

307.5 Auxiliary drain pan. Category IV condensing *appliances* shall be provided with an auxiliary drain pan where damage to any building component will occur as a result of stoppage in the condensate drainage system. Such pan shall be installed in accordance with the applicable provisions of Section 307 of the *International Mechanical Code*.

Exception: An auxiliary drain pan shall not be required for appliances that automatically shut down operation in the event of a stoppage in the condensate drainage system.

307.6 Condensate pumps. Condensate pumps located in uninhabitable spaces, such as attics and crawl spaces, shall be connected to the *appliance* or *equipment* served such that when the pump fails, the *appliance* or *equipment* will be prevented from operating. Pumps shall be installed in accordance with the manufacturer's instructions.

SECTION 308 (IFGS) CLEARANCE REDUCTION

308.1 Scope. This section shall govern the reduction in required clearances to *combustible materials*, including gypsum board, and *combustible assemblies* for chimneys, vents, *appliances*, devices and *equipment*. Clearance requirements for air-conditioning *equipment* and central heating boilers and furnaces shall comply with Sections 308.3 and 308.4.

308.2 Reduction table. The allowable *clearance* reduction shall be based on one of the methods specified in Table 308.2 or shall utilize a reduced *clearance* protective assembly *listed* and *labeled* in accordance with UL 1618. Where required clearances are not listed in Table 308.2, the reduced clearances shall be determined by linear interpolation between the distances listed in the table. Reduced clearances shall not be derived by extrapolation below the range of the table. The reduction of the required clearances to combustibles for *listed* and *labeled* appliances and *equipment* shall be in accordance with the requirements of this section, except that such clearances shall not be reduced where reduction is specifically prohibited by the terms of the *appliance* or *equipment* listing [see Figures 308.2(1) through 308.2(3)].

GENERAL REGULATIONS

308.4.5 Clearance from supply ducts. Supply air ducts connecting to *listed* central heating furnaces shall have the same minimum *clearance* to combustibles as required for the furnace supply plenum for a distance of not less than 3 feet (914 mm) from the supply plenum. *Clearance* is not required beyond the 3-foot (914 mm) distance.

SECTION 309 (IFGC) ELECTRICAL

309.1 Grounding. Gas *piping* shall not be used as a grounding electrode.

[S] **309.2 Connections.** Electrical connections between *appliances* and the building wiring, including the grounding of the appliances, shall conform to (~~NFPA 70~~) the *Seattle Electrical Code*.

SECTION 310 (IFGS) ELECTRICAL BONDING

310.1 Pipe and tubing other than CSST. Each aboveground portion of a gas *piping* system other than corrugated stainless steel tubing (CSST) that is likely to become energized shall be electrically continuous and bonded to an effective ground-fault current path. Gas *piping* other than CSST shall be considered to be bonded where it is connected to an *appliance* that is connected to the *equipment* grounding conductor of the circuit that supplies that *appliance*.

310.2 CSST. This section applies to corrugated stainless steel tubing (CSST) that is not listed with an arc-resistant jacket or coating system in accordance with ANSI LC 1/CSA 6.26. CSST gas *piping* systems and *piping* systems containing one or more segments of CSST shall be electrically continuous and bonded to the electrical service grounding electrode system or, where provided, the lightning protection grounding electrode system.

310.2.1 Point of connection. The bonding jumper shall connect to a metallic pipe, pipe fitting or CSST fitting.

310.2.2 Size and material of jumper. The bonding jumper shall be not smaller than 6 AWG copper wire or equivalent.

310.2.3 Bonding jumper length. The length of the bonding jumper between the connection to a gas *piping* system and the connection to a grounding electrode system shall not exceed 75 feet (22 860 mm). Any additional grounding electrodes installed to meet this requirement shall be bonded to the electrical service grounding electrode system or, where provided, the lightning protection grounding electrode system.

310.2.4 Bonding connections. Bonding connections shall be in accordance with NFPA 70.

310.2.5 Connection devices. Devices used for making the bonding connections shall be *listed* for the application in accordance with UL 467.

310.3 Arc-resistant CSST. This section applies to corrugated stainless steel tubing (CSST) that is *listed* with an arc-resistant jacket or coating system in accordance with ANSI LC 1/CSA 6.26. The CSST shall be electrically continuous and bonded to an effective ground fault current path. Where any CSST component of a *piping* system does not have an arc-resistant jacket or coating system, the bonding requirements of Section 310.2 shall apply. Arc-resistant-jacketed CSST shall be considered to be bonded where it is connected to an *appliance* that is connected to the *appliance* grounding conductor of the circuit that supplies that *appliance*.

**TABLE 402.4(33)
CORRUGATED STAINLESS STEEL TUBING (CSST)**

Gas	Undiluted Propane
Inlet Pressure	2.0 psi
Pressure Drop	1.0 psi
Specific Gravity	1.50

INTENDED USE: SIZING BETWEEN 2 PSI SERVICE AND THE LINE PRESSURE REGULATOR														
TUBE SIZE (EHD)														
Flow Designation	13	15	18	19	23	25	30	31	37	39	46	48	60	62
Length (ft)	Capacity in Thousands of Btu per Hour													
10	426	558	927	1,110	1,740	2,170	4,100	4,720	7,130	7,958	15,200	16,800	29,400	34,200
25	262	347	591	701	1,120	1,380	2,560	2,950	4,560	5,147	9,550	10,700	18,800	21,700
30	238	316	540	640	1,030	1,270	2,330	2,690	4,180	4,719	8,710	9,790	17,200	19,800
40	203	271	469	554	896	1,100	2,010	2,320	3,630	4,116	7,530	8,500	14,900	17,200
50	181	243	420	496	806	986	1,790	2,070	3,260	3,702	6,730	7,610	13,400	15,400
75	147	196	344	406	663	809	1,460	1,690	2,680	3,053	5,480	6,230	11,000	12,600
80	140	189	333	393	643	768	1,410	1,630	2,590	2,961	5,300	6,040	10,600	12,200
100	124	169	298	350	578	703	1,260	1,450	2,330	2,662	4,740	5,410	9,530	10,900
150	101	137	245	287	477	575	1,020	1,180	1,910	2,195	3,860	4,430	7,810	8,890
200	86	118	213	248	415	501	880	1,020	1,660	1,915	3,340	3,840	6,780	7,710
250	77	105	191	222	373	448	785	910	1,490	1,722	2,980	3,440	6,080	6,900
300	69	96	173	203	343	411	716	829	1,360	1,578	2,720	3,150	5,560	6,300
400	60	82	151	175	298	355	616	716	1,160	1,376	2,350	2,730	4,830	5,460
500	53	72	135	158	268	319	550	638	1,030	1,237	2,100	2,450	4,330	4,880

For SI: 1 inch = 25.4 mm, 1 foot = 304.8 mm, 1 pound per square inch = 6.895kPa, 1-inch water column = 0.2488 kPa,
1 British thermal unit per hour = ((0.2931)) 0.2931 W, 1 cubic foot per hour = 0.0283 m³/h, 1 degree = 0.01745 rad.

Notes:

- Table does not include effect of pressure drop across the line regulator. Where regulator loss exceeds 1/2 psi (based on 13 in. w.c. outlet pressure), DO NOT USE THIS TABLE. Consult with the regulator manufacturer for pressure drops and capacity factors. Pressure drops across a regulator may vary with flow rate.
- CAUTION: Capacities shown in the table might exceed maximum capacity for a selected regulator. Consult with the regulator or tubing manufacturer for guidance.
- Table includes losses for four 90-degree bends and two end fittings. Tubing runs with larger numbers of bends or fittings shall be increased by an equivalent length of tubing to the following equation: $L = 1.3n$ where L is additional length (feet) of tubing and n is the number of additional fittings or bends.
- EHD—Equivalent Hydraulic Diameter, which is a measure of the relative hydraulic efficiency between different tubing sizes. The greater the value of EHD, the greater the gas capacity of the tubing.
- Table entries have been rounded to three significant digits.

**TABLE 402.4(37)
POLYETHYLENE PLASTIC TUBING**

Gas	Undiluted Propane
Inlet Pressure	11.0 in. w.c.
Pressure Drop	0.5 in. w.c.
Specific Gravity	1.50

INTENDED USE	PE pipe sizing between integral two-stage regulator at tank or second stage (low-pressure regulator) and building.	
Plastic Tubing Size (CTS) (inch)		
Nominal OD	1/2	1
Designation	SDR 7	SDR 11
Actual ID	0.445	0.927
Length (ft)	Capacity in Cubic Feet of Gas per Hour	
10	121	828
20	83	569
30	67	457
40	57	391
50	51	347
60	46	314
70	42	289
80	39	269
90	37	252
100	35	238
125	31	211
150	28	191
175	26	176
200	24	164
225	22	154
250	21	145
275	20	138
300	19	132
350	18	121
400	16	113
450	15	106
500	15	100

For SI: 1 inch = 25.4 mm, 1 foot = 304.8 mm, 1 pound per square inch = 6.895 kPa, 1-inch water column = 0.2488 kPa,
1 British thermal unit per hour = ((0.2931)) 0.2931 W, 1 cubic foot per hour = 0.0283 m³/h, 1 degree = ((0.01745)) 0.01745 rad.

Note: Table entries have been rounded to three significant digits.

402.4.1 Longest length method. The pipe size of each section of gas *pipng* shall be determined using the longest length of *pipng* from the *point of delivery* to the most remote *outlet* and the load of the section.

402.4.2 Branch length method. Pipe shall be sized as follows:

1. Pipe size of each section of the longest pipe run from the *point of delivery* to the most remote *outlet* shall be determined using the longest run of *pipng* and the load of the section.
2. The pipe size of each section of branch *pipng* not previously sized shall be determined using the length of *pipng* from the *point of delivery* to the most remote *outlet* in each branch and the load of the section.

402.4.3 Hybrid pressure. The pipe size for each section of higher pressure gas *pipng* shall be determined using the longest length of *pipng* from the *point of delivery* to the most remote line pressure regulator. The pipe size from the line pressure regulator to each *outlet* shall be determined using the length of *pipng* from the regulator to the most remote outlet served by the regulator.

402.5 Noncorrugated stainless steel tubing. Noncorrugated stainless steel tubing shall be sized in accordance with Equations 4-1 and 4-2 of Section 402.4 in conjunction with Section 402.4.1, 402.4.2 or 402.4.3.

403.4.4 Aluminum tubing. Aluminum-alloy tubing shall comply with ASTM B210 or ASTM B241. Aluminum-alloy tubing shall be coated to protect against external corrosion where it is in contact with masonry, plaster or insulation, or is subject to repeated wettings by such liquids as water, detergent or sewage.

Aluminum-alloy tubing shall not be used in exterior locations or underground.

403.4.5 Corrugated stainless steel tubing. Corrugated stainless steel tubing shall be *listed* in accordance with ANSI LC 1/CSA 6.26.

403.5 Plastic pipe, tubing and fittings. Polyethylene plastic pipe, tubing and fittings used to supply fuel gas shall conform to ASTM D2513. Such pipe shall be marked “Gas” and “ASTM D2513.”

Polyamide pipe, tubing and fittings shall be identified and conform to ASTM F2945. Such pipe shall be marked “Gas” and “ASTM F2945.”

Polyvinyl chloride (PVC) and chlorinated polyvinyl chloride (CPVC) plastic pipe, tubing and fittings shall not be used to supply fuel gas.

403.5.1 Anodeless risers. Plastic pipe, tubing and anodeless risers shall comply with the following:

1. Factory-assembled anodeless risers shall be recommended by the manufacturer for the gas used and shall be leak tested by the manufacturer in accordance with written procedures.
2. Service head adapters and field-assembled anodeless risers incorporating service head adapters shall be recommended by the manufacturer for the gas used, and shall be designed and certified to meet the requirements of Category I of ASTM D2513, and U.S. Department of Transportation, Code of Federal Regulations, Title 49, Part 192.281(e). The manufacturer shall provide the user with qualified installation instructions as prescribed by the U.S. Department of Transportation, Code of Federal Regulations, Title 49, Part 192.283(b).

403.5.2 LP-gas systems. The use of plastic pipe, tubing and fittings in undiluted liquefied petroleum gas *pipng* systems shall be in accordance with NFPA 58.

403.5.3 Regulator vent piping. Plastic pipe and fittings used to connect regulator vents to remote vent terminations shall be PVC conforming to UL 651. PVC vent *pipng* shall not be installed indoors.

[S] **403.6 Workmanship and defects.** Pipe, tubing and fittings shall be clear and free from cutting burrs and defects in structure or threading, and shall be thoroughly brushed, and chip and scale blown.

Defects in pipe, tubing and fittings shall not be repaired. Defective pipe, tubing and fittings shall be replaced. No gas piping shall be strained or pinched, and no appliance shall be supported by, or develop any strain or stress on, its supply piping.

403.7 Protective coating. Where in contact with material or atmosphere exerting a corrosive action, metallic *pipng* and fittings coated with a corrosion-resistant material shall be used. External or internal coatings or linings used on *pipng* or components shall not be considered as adding strength.

403.8 Metallic pipe threads. Metallic pipe and fitting threads shall be taper pipe threads and shall comply with ASME B1.20.1.

403.8.1 Damaged threads. Pipe with threads that are stripped, chipped, corroded or otherwise damaged shall not be used. Where a weld opens during the operation of cutting or threading, that portion of the pipe shall not be used.

403.8.2 Number of threads. Field threading of metallic pipe shall be in accordance with Table 403.8.2.

**TABLE 403.8.2
SPECIFICATIONS FOR THREADING METALLIC PIPE**

IRON PIPE SIZE (inches)	APPROXIMATE LENGTH OF THREADED PORTION (inches)	APPROXIMATE NUMBER OF THREADS TO BE CUT
1/2	3/4	10
3/4	3/4	10
1	7/8	10
1-1/4	1	11
1-1/2	1	11
2	1	11
2-1/2	1-1/2	12
3	1-1/2	12
4	1-5/8	13

For SI: 1 inch = 25.4 mm.

GAS PIPING INSTALLATIONS

403.8.3 Threaded joint sealing. Threaded joints shall be made using a thread joint sealing material. Thread joint sealing materials shall be nonhardening and shall be resistant to the chemical constituents of the gases to be conducted through the *pipng*. Thread joint sealing materials shall be compatible with the pipe and fitting materials on which the sealing materials are used.

403.9 Metallic piping joints and fittings. The type of *pipng* joint used shall be suitable for the pressure-temperature conditions and shall be selected giving consideration to joint tightness and mechanical strength under the service conditions. The joint shall be able to sustain the maximum end force caused by the internal pressure and any additional forces caused by temperature expansion or contraction, vibration, fatigue or the weight of the pipe and its contents.

403.9.1 Pipe joints. Schedule 40 and heavier pipe joints shall be threaded, flanged, brazed, welded or assembled with press-connect fittings *listed* in accordance with ANSI L-C4/CSA 6.32. Pipe lighter than Schedule 40 shall be connected using press-connect fittings, flanges, brazing or welding. Where nonferrous pipe is brazed, the brazing materials shall have a melting point in excess of 1,000°F (538°C). Brazing alloys shall not contain more than 0.05-percent phosphorus.

[S] 403.9.1.1 Welding. All welding in the *pipng system* shall be done in accordance with ASME Boiler and Pressure Vessel Code Section IX.

403.9.2 Copper tubing joints. Copper tubing joints shall be assembled with *approved* gas tubing fittings, shall be brazed with a material having a melting point in excess of 1,000°F (538°C) or assembled with press-connect fittings *listed* in accordance with ANSI LC-4/CSA 6.32. Brazing alloys shall not contain more than 0.05-percent phosphorus.

403.9.3 Stainless steel tubing joints. Stainless steel tubing joints shall be welded, assembled with *approved* tubing fittings, brazed with a material having a melting point in excess of 1,000°F (578°C), or assembled with press-connect fittings *listed* in accordance with ANSI LC-4/CSA 6.32.

403.9.4 Flared joints. Flared joints shall be used only in systems constructed from nonferrous pipe and tubing where experience or tests have demonstrated that the joint is suitable for the conditions and where provisions are made in the design to prevent separation of the joints.

403.9.5 Metallic fittings. Metallic fittings shall comply with the following:

1. Threaded fittings in sizes larger than 4 inches (102 mm) shall not be used.
2. Fittings used with steel, stainless steel or wrought-iron pipe shall be steel, stainless steel, copper alloy, malleable iron or cast iron.
3. Fittings used with copper or copper alloy pipe shall be copper or copper alloy.
4. Fittings used with aluminum-alloy pipe shall be of aluminum alloy.
5. Cast-iron fittings:
 - 5.1. Flanges shall be permitted.
 - 5.2. Bushings shall not be used.
 - 5.3. Fittings shall not be used in systems containing flammable gas-air mixtures.
 - 5.4. Fittings in sizes 4 inches (102 mm) and larger shall not be used indoors except where *approved*.
 - 5.5. Fittings in sizes 6 inches (152 mm) and larger shall not be used except where *approved*.
6. Aluminum-alloy fittings. Threads shall not form the joint seal.
7. Zinc aluminum-alloy fittings. Fittings shall not be used in systems containing flammable gas-air mixtures.
8. Special fittings. Fittings such as couplings, proprietary-type joints, saddle tees, gland-type compression fittings and flared, flareless and compression-type tubing fittings shall be: used within the fitting manufacturer's pressure-temperature recommendations; used within the service conditions anticipated with respect to vibration, fatigue, thermal expansion and contraction; and shall be *approved*.
9. Where pipe fittings are drilled and tapped in the field, the operation shall be in accordance with all of the following:
 - 9.1. The operation shall be performed on systems having operating pressures of 5 psi (34.5 kPa) or less.
 - 9.2. The operation shall be performed by the gas supplier or the gas supplier's designated representative.
 - 9.3. The drilling and tapping operation shall be performed in accordance with written procedures prepared by the gas supplier.
 - 9.4. The fittings shall be located outdoors.
 - 9.5. The tapped fitting assembly shall be inspected and proven to be free of leakage.

403.10 Plastic pipe, joints and fittings. Plastic pipe, tubing and fittings shall be joined in accordance with the manufacturer's instructions. Such joint shall comply with the following:

1. The joint shall be designed and installed so that the longitudinal pull-out resistance of the joint will be greater than or equal to the tensile strength of the plastic *pipng* material.
2. Heat-fusion joints shall be made in accordance with qualified procedures that have been established and proven by test to produce gas-tight joints as strong as or stronger than the pipe or tubing being joined. Joints shall be made with the joining method recommended by the pipe manufacturer. Polyethylene heat fusion fittings shall be marked “ASTM D2513.” Polyamide heat fusion fittings shall be marked “ASTM F2945.”
3. Where compression-type mechanical joints are used, the gasket material in the fitting shall be compatible with the plastic *pipng* and with the gas distributed by the system. An internal tubular rigid stiffener shall be used in conjunction with the fitting. The stiffener shall be flush with the end of the pipe or tubing and shall extend to or beyond the outside end of the compression fitting when installed. The stiffener shall be free of rough or sharp edges and shall not be a force-fit in the plastic. Split tubular stiffeners shall not be used.
4. Plastic *pipng* joints and fittings for use in liquefied petroleum gas *pipng* systems shall be in accordance with NFPA 58.

403.11 Flanges. Flanges and flange gaskets shall comply with Sections 403.11.1 through 403.11.7.

403.11.1 Cast iron. Cast-iron flanges shall be in accordance with ASME B16.1.

403.11.2 Steel. Steel flanges shall be in accordance with ASME B16.5 or ASME B16.47.

403.11.3 Nonferrous. Nonferrous flanges shall be in accordance with ASME B16.24.

403.11.4 Ductile iron. Ductile-iron flanges shall be in accordance with ASME B16.42.

403.11.5 Raised face. Raised face flanges shall not be joined to flat faced cast-iron, ductile-iron or nonferrous material flanges.

403.11.6 Flange facings. Standard facings shall be permitted for use under this code. Where 150-pound (1034 kPa) pressure-rated steel flanges are bolted to Class 125 cast-iron flanges, the raised face on the steel flange shall be removed.

403.11.7 Lapped flanges. Lapped flanges shall be used only above ground or in exposed locations accessible for inspection.

403.12 Flange gaskets. Material for gaskets shall be capable of withstanding the design temperature and pressure of the *pipng* system, and the chemical constituents of the gas being conducted, without change to its chemical and physical properties. The effects of fire exposure to the joint shall be considered in choosing material. Acceptable materials include metal (plain or corrugated), composition, aluminum “O” rings, spiral wound metal gaskets, rubber-faced phenolic and elastomeric. Where a flanged joint is opened, the gasket shall be replaced. Full-face flange gaskets shall be used with all nonsteel flanges.

403.12.1 Metallic gaskets. Metallic flange gaskets shall be in accordance with ASME B16.20.

403.12.2 Nonmetallic gaskets. Nonmetallic flange gaskets shall be in accordance with ASME B16.21.

SECTION 404 (IFGC) PIPING SYSTEM INSTALLATION

404.1 Installation of materials. Materials used shall be installed in strict accordance with the standards under which the materials are accepted and *approved*. In the absence of such installation procedures, the manufacturer’s instructions shall be followed. Where the requirements of referenced standards or manufacturer’s instructions do not conform to minimum provisions of this code, the provisions of this code shall apply.

404.2 CSST. CSST *pipng* systems shall be installed in accordance with the terms of their approval, the conditions of listing, the manufacturer’s instructions and this code.

404.3 Prohibited locations. *Pipng* shall not be installed in or through a ducted supply, return or exhaust, or a clothes chute, chimney or gas vent, dumbwaiter or elevator shaft. *Pipng* installed downstream of the *point of delivery* shall not extend through any townhouse unit other than the unit served by such *pipng*.

404.4 Piping in solid partitions and walls. Concealed *pipng* shall not be located in solid partitions and solid walls, unless installed in a chase or casing.

404.5 Fittings in concealed locations. Fittings installed in concealed locations shall be limited to the following types:

1. Threaded elbows, tees, and couplings, ~~((, plugs and caps.))~~
2. Brazed fittings.
3. Welded fittings.
4. Fittings *listed* to ANSI LC-1/CSA 6.26 or ANSI LC-4/CSA 6.32.

GAS PIPING INSTALLATIONS

404.6 Underground penetrations prohibited. Gas *pipng* shall not penetrate building foundation walls at any point below grade. Gas *pipng* shall enter and exit a building at a point above grade and the annular space between the pipe and the wall shall be sealed.

404.7 Protection against physical damage. Where *pipng* will be concealed within light-frame construction assemblies, the *pipng* shall be protected against penetration by fasteners in accordance with Sections 404.7.1 through 404.7.3.

Exception: Black steel *pipng* and galvanized steel *pipng* shall not be required to be protected.

404.7.1 Piping through holes or notches. Where *pipng* is installed through holes or notches in framing members and the *pipng* is located less than 1-1/2 inches (38 mm) from the framing member face to which wall, ceiling or floor membranes will be attached, the pipe shall be protected by shield plates that cover the width of the pipe and the framing member and that extend not less than 4 inches (102 mm) to each side of the framing member. Where the framing member that the *pipng* passes through is a bottom plate, bottom track, top plate or top track, the shield plates shall cover the framing member and extend not less than 4 inches (102 mm) above the bottom framing member and not less than 4 inches (102 mm) below the top framing member.

404.7.2 Piping installed in other locations. Where the *pipng* is located within a framing member and is less than 1-1/2 inches (38 mm) from the framing member face to which wall, ceiling or floor membranes will be attached, the *pipng* shall be protected by shield plates that cover the width and length of the *pipng*. Where the *pipng* is located outside of a framing member and is located less than 1-1/2 inches (38 mm) from the nearest edge of the face of the framing member to which the membrane will be attached, the *pipng* shall be protected by shield plates that cover the width and length of the *pipng*.

404.7.3 Shield plates. Shield plates shall be of steel material having a thickness of not less than 0.0575 inch (1.463 mm) (No. 16 gage).

404.8 Piping in solid floors. *Pipng* in solid floors shall be laid in channels in the floor and covered in a manner that will allow access to the *pipng* with a minimum amount of damage to the building. Where such *pipng* is subject to exposure to excessive moisture or corrosive substances, the *pipng* shall be protected in an *approved* manner. As an alternative to installation in channels, the *pipng* shall be installed in a conduit of Schedule 40 steel, wrought iron, PVC or ABS pipe in accordance with Section 404.8.1 or 404.8.2.

404.8.1 Conduit with one end terminating outdoors. The conduit shall extend into an occupiable portion of the building and, at the point where the conduit terminates in the building, the space between the conduit and the gas *pipng* shall be sealed to prevent the possible entrance of any gas leakage. The conduit shall extend not less than 2 inches (51 mm) beyond the point where the pipe emerges from the floor. If the end sealing is capable of withstanding the full pressure of the gas pipe, the conduit shall be designed for the same pressure as the pipe. Such conduit shall extend not less than 4 inches (102 mm) outside the building, shall be vented above grade to the outdoors and shall be installed so as to prevent the entrance of water and insects.

404.8.2 Conduit with both ends terminating indoors. Where the conduit originates and terminates within the same building, the conduit shall originate and terminate in an accessible portion of the building and shall not be sealed. The conduit shall extend not less than 2 inches (51 mm) beyond the point where the pipe emerges from the floor.

404.9 Above-ground outdoor piping. *Pipng* installed outdoors shall be elevated not less than 3-1/2 inches (89 mm) above ground and where installed across roof surfaces, shall be elevated not less than 3-1/2 inches (89 mm) above the roof surface. *Pipng* installed above ground, outdoors, and installed across the surface of roofs shall be securely supported and located where it will be protected from physical damage. Where passing through an outside wall, the *pipng* shall be protected against corrosion by coating or wrapping with an inert material. Where *pipng* is encased in a protective pipe sleeve, the annular space between the *pipng* and the sleeve shall be sealed.

404.10 Isolation. Metallic *pipng* and metallic tubing that conveys fuel gas from an LP-gas storage container shall be provided with an *approved* dielectric fitting to electrically isolate the underground portion of the pipe or tube from the above-ground portion that enters a building. Such dielectric fitting shall be installed above ground, outdoors.

[S] **404.11 Protection against corrosion.** Steel pipe or tubing exposed to corrosive action, such as soil conditions or moisture, shall be protected in accordance with Sections 404.11.1 through 404.11.4.

404.11.1 Galvanizing. Zinc coating shall not be deemed adequate protection for underground gas *pipng*.

404.11.2 Protection methods. Underground *pipng* shall comply with one or more of the following:

1. The *pipng* shall be made of corrosion-resistant material that is suitable for the environment in which it will be installed.
2. Pipe shall have a factory-applied, electrically-insulating coating. Fittings and joints between sections of coated pipe shall be coated in accordance with the coating manufacturer's instructions.
3. The *pipng* shall have a cathodic protection system installed and the system shall be monitored and maintained in accordance with an *approved* program.

GAS PIPING INSTALLATIONS

404.18 Pipe debris (~~(removal)~~ removal). The interior of piping shall be clear of debris. The use of a flammable or combustible gas to clean or remove debris from a *piping* system shall be prohibited.

404.19 Prohibited devices. A device shall not be placed inside the *piping* or fittings that will reduce the cross-sectional area or otherwise obstruct the free flow of gas.

Exceptions:

1. *Approved* gas filters.
2. An *approved* fitting or device where the *gas piping* system has been sized to accommodate the pressure drop of the fitting or device.

404.20 Testing of piping. Before any system of *piping* is put in service or concealed, it shall be tested to ensure that it is gastight. Testing, inspection and purging of *piping* systems shall comply with Section 406.

SECTION 405 (IFGS) PIPING BENDS AND CHANGES IN DIRECTION

405.1 General. Changes in direction of pipe shall be permitted to be made by the use of fittings, factory bends or field bends.

405.2 Metallic pipe. Metallic pipe bends shall comply with the following:

1. Bends shall be made only with bending tools and procedures intended for that purpose.
2. Bends shall be smooth and free from buckling, cracks or other evidence of mechanical damage.
3. The longitudinal weld of the pipe shall be near the neutral axis of the bend.
4. Pipe shall not be bent through an arc of more than 90 degrees (1.6 rad).
5. The inside radius of a bend shall be not less than six times the outside diameter of the pipe.

405.3 Plastic pipe. Plastic pipe bends shall comply with the following:

1. The pipe shall not be damaged and the internal diameter of the pipe shall not be effectively reduced.
2. Joints shall not be located in pipe bends.
3. The radius of the inner curve of such bends shall be not less than 25 times the inside diameter of the pipe.
4. Where the *piping* manufacturer specifies the use of special bending tools or procedures, such tools or procedures shall be used.

405.4 Elbows. Factory-made welding elbows or transverse segments cut therefrom shall have an arc length measured along the crotch of not less than 1 inch (25 mm) in pipe sizes 2 inches (51 mm) and larger.

SECTION 406 (IFGS) INSPECTION, TESTING AND PURGING

406.1 General. Prior to acceptance and initial operation, all *piping* installations shall be visually inspected and pressure tested to determine that the materials, design, fabrication and installation practices comply with the requirements of this code.

406.1.1 Inspections. Inspection shall consist of visual examination during or after manufacture, fabrication, assembly or pressure tests.

[S] 406.1.2 Repairs and additions. In the event repairs or additions are made after the pressure test, the affected *piping* shall be tested.

Minor repairs and additions, as determined by the code official, are not required to be pressure tested provided that the work is inspected and connections are tested with a noncorrosive leak-detecting fluid or other *approved* leak-detecting methods.

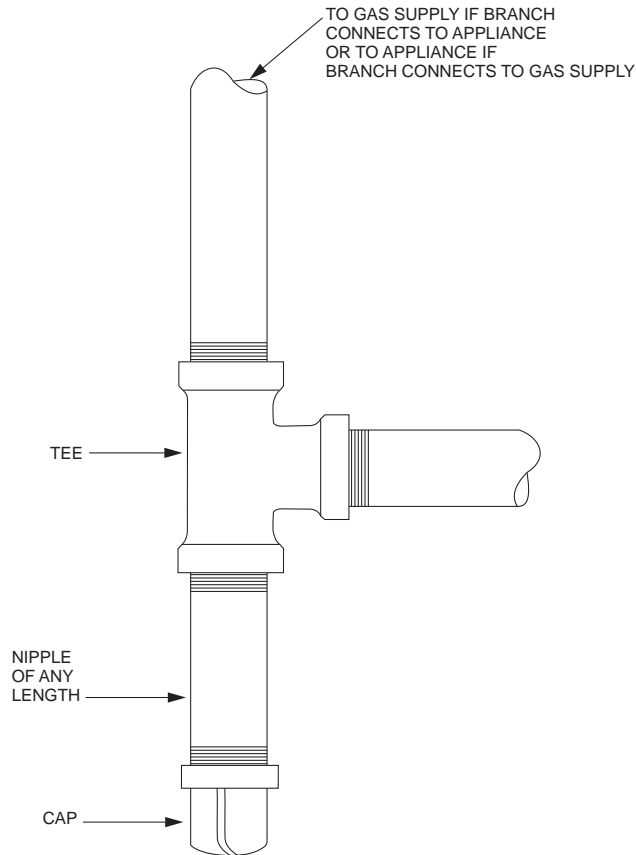
406.1.3 New branches. Where new branches are installed to new *appliances*, only the newly installed branches shall be required to be pressure tested. Connections between the new *piping* and the existing *piping* shall be tested with a noncorrosive leak-detecting fluid or other *approved* leak-detecting methods.

406.1.4 Section testing. A *piping* system shall be permitted to be tested as a complete unit or in sections. A valve in a line shall not be used as a bulkhead between gas in one section of the *piping* system and test medium in an adjacent section, except where a double block and bleed valve system is installed. A valve shall not be subjected to the test pressure unless it can be determined that the valve, including the valve-closing mechanism, is designed to safely withstand the test pressure.

406.1.5 Regulators and valve assemblies. Regulator and valve assemblies fabricated independently of the *piping* system in which they are to be installed shall be permitted to be tested with inert gas or air at the time of fabrication.

406.1.6 Pipe clearing. Prior to testing, the interior of the pipe shall be cleared of all foreign material.

GAS PIPING INSTALLATIONS



**FIGURE 408.4
METHOD OF INSTALLING A TEE FITTING SEDIMENT TRAP**

**SECTION 409 (IFGC)
SHUTOFF VALVES**

409.1 General. Piping systems shall be provided with shutoff valves in accordance with this section.

409.1.1 Valve approval. Shutoff valves shall be of an *approved* type; shall be constructed of materials compatible with the piping; and shall comply with the standard that is applicable for the pressure and application, in accordance with Table 409.1.1.

**[W] TABLE 409.1.1
MANUAL GAS VALVE STANDARDS**

VALVE STANDARDS	APPLIANCE SHUTOFF VALVE APPLICATION UP TO 1/2 psig PRESSURE	OTHER VALVE APPLICATIONS			
		UP TO 1/2 psig PRESSURE	UP TO 2 psig PRESSURE	UP TO 5 psig PRESSURE	UP TO 125 psig PRESSURE
ANSI Z21.15/CGA 9.1	X	—	—	—	—
ASME B16.44	X	X	X ^a	X ^b	—
ASME B16.33	X	X	X	X	X
<u>ASME B16.38</u>	<u>—</u>	<u>X</u>	<u>X</u>	<u>X</u>	<u>X</u>

For SI: 1 pound per square inch gauge = 6.895 kPa.

a. If labeled 2G.

b. If labeled 5G.

409.1.2 Prohibited locations. Shutoff valves shall be prohibited in *concealed locations* and *furnace plenums*.

409.1.3 Access to shutoff valves. Shutoff valves shall be located in places so as to provide *access* for operation and shall be installed so as to be protected from damage.

409.2 Meter valve. Every meter shall be equipped with a shutoff valve located on the supply side of the meter.

[S][F] **413.10.2.4 Grounding and bonding.** The structure or appurtenance used for supporting the cylinder shall be grounded in accordance with ((NFPA-70)) the *Seattle Electrical Code*. The cylinder valve shall be bonded prior to the commencement of venting operations.

[F] **413.10.2.5 Vent tube.** A vent tube that will divert the gas flow to the atmosphere shall be installed on the cylinder prior to the commencement of the venting and purging operation. The vent tube shall be constructed of pipe or tubing materials *approved* for use with CNG in accordance with the *International Fire Code*.

The vent tube shall be capable of dispersing the gas not less than 10 feet (3048 mm) above grade level. The vent tube shall not be provided with a rain cap or other feature that would limit or obstruct the gas flow.

At the connection fitting of the vent tube and the CNG cylinder, a *listed* bidirectional detonation flame arrester shall be provided.

[F] **413.10.2.6 Signage.** *Approved* “NO SMOKING” signs shall be posted within 10 feet (3048 mm) of the cylinder support structure or appurtenance. *Approved* “CYLINDER SHALL BE BONDED” signs shall be posted on the cylinder support structure or appurtenance.

SECTION 414 (IFGC) SUPPLEMENTAL AND STANDBY GAS SUPPLY

414.1 Use of air or oxygen under pressure. Where air or oxygen under pressure is used in connection with the gas supply, effective means such as a backpressure regulator and relief valve shall be provided to prevent air or oxygen from passing back into the gas *pipng*. Where oxygen is used, installation shall be in accordance with NFPA 51.

414.2 Interconnections for standby fuels. Where supplementary gas for standby use is connected downstream from a meter or a service regulator where a meter is not provided, a device to prevent backflow shall be installed. A three-way valve installed to admit the standby supply and at the same time shut off the regular supply shall be permitted to be used for this purpose.

SECTION 415 (IFGS) PIPING SUPPORT INTERVALS

415.1 Interval of support. *Pipng* shall be supported at intervals not exceeding the spacing specified in Table 415.1. Spacing of supports for CSST shall be in accordance with the CSST manufacturer’s instructions.

TABLE 415.1
SUPPORT OF PIPING

STEEL PIPE, NOMINAL SIZE OF PIPE (inches)	SPACING OF SUPPORTS (feet)	NOMINAL SIZE OF TUBING (SMOOTH-WALL) (inch O.D.)	SPACING OF SUPPORTS (feet)
1/2	6	1/2	4
3/4 or 1	8	5/8 or 3/4	6
1-1/4 or larger (horizontal)	10	7/8 or 1 (horizontal)	8
1-1/4 or larger (vertical)	Every floor level	1 or larger (vertical)	Every floor level

For SI: 1 inch = 25.4 mm, 1 foot = 304.8 mm.

SECTION 416 (IFGS) OVERPRESSURE PROTECTION DEVICES

416.1 Where required. Where the serving gas supplier delivers gas at a pressure greater than 2 psi for *pipng* systems serving appliances designed to operate at a gas pressure of 14 inches w.c. or less, overpressure protection devices shall be installed. *Pipng* systems serving *equipment* designed to operate at inlet pressures greater than 14 inches w.c. shall be equipped with overpressure protection devices as required by the *appliance* manufacturer’s installation instructions.

416.2 Pressure limitation requirements. The requirements for pressure limitation shall be in accordance with Sections 416.2.1 through 416.2.5.

416.2.1 Pressure under 14 inches w.c. Where *pipng* systems serving appliances designed to operate with a gas supply pressure of 14 inches w.c. or less are required to be equipped with overpressure protection by Section 416.1, each overpres-

CHIMNEYS AND VENTS

2. Appliances requiring venting shall be permitted to be vented by means of mechanical draft systems of either forced or induced draft design.
3. Forced draft systems and all portions of induced draft systems under positive pressure during operation shall be designed and installed so as to prevent leakage of flue or vent gases into a building.
4. Vent connectors serving appliances vented by natural draft shall not be connected to any portion of mechanical draft systems operating under positive pressure.
5. Where a mechanical draft system is employed, provisions shall be made to prevent the flow of gas to the main burners when the draft system is not performing so as to satisfy the operating requirements of the *appliance* for safe performance.



503.3.4 Ventilating hoods and exhaust systems. Where automatically operated appliances, other than commercial cooking appliances, are vented through a ventilating hood or exhaust system equipped with a damper or with a power means of exhaust, provisions shall be made to allow the flow of gas to the main burners only when the damper is open to a position to properly vent the *appliance* and when the power means of exhaust is in operation.

503.3.5 Air ducts and furnace plenums. Venting systems shall not extend into or pass through any fabricated air duct or *furnace plenum*.

503.3.6 Above-ceiling air-handling spaces. Where a venting system passes through an above-ceiling air-handling space or other nonducted portion of an air-handling system, the venting system shall conform to one of the following requirements:

1. The venting system shall be a *listed* special gas vent; other venting system serving a Category III or Category IV *appliance*; or other positive pressure vent, with joints sealed in accordance with the *appliance* or vent manufacturer’s instructions.
2. The venting system shall be installed such that fittings and joints between sections are not installed in the above-ceiling space.
3. The venting system shall be installed in a conduit or enclosure with sealed joints separating the interior of the conduit or enclosure from the ceiling space.

503.4 Type of venting system to be used. The type of venting system to be used shall be in accordance with Table 503.4.

**TABLE 503.4
TYPE OF VENTING SYSTEM TO BE USED**

APPLIANCES	TYPE OF VENTING SYSTEM
Listed Category I appliances Listed appliances equipped with draft hood Appliances listed for use with Type B gas vent	Type B gas vent (Section 503.6) Chimney (Section 503.5) Single-wall metal pipe (Section 503.7) Listed chimney lining system for gas venting (Section 503.5.3) Special gas vent listed for these appliances (Section 503.4.2)
Listed vented wall furnaces	Type B-W gas vent (Sections 503.6, 608)
Category II, Category III and Category IV appliances	As specified or furnished by manufacturers of listed appliances (Sections 503.4.1, 503.4.2)
Incinerators	In accordance with NFPA 82
Appliances that can be converted for use with solid fuel	Chimney (Section 503.5)
Unlisted combination gas and oil-burning appliances	Chimney (Section 503.5)
Listed combination gas and oil-burning appliances	Type L vent (Section 503.6) or chimney (Section 503.5)
Combination gas and solid fuel-burning appliances	Chimney (Section 503.5)
Appliances listed for use with chimneys only	Chimney (Section 503.5)
Unlisted appliances	Chimney (Section 503.5)
Decorative appliances in vented fireplaces	Chimney
Gas-fired toilets	Single-wall metal pipe (Section 626)
Direct-vent appliances	See Section 503.2.3
Appliances with integral vent	See Section 503.2.4

[S] 503.4.1 Plastic piping. Where plastic *piping* is used to vent an *appliance*, the *appliance* shall be *listed* for use with such venting materials and the *appliance* manufacturer’s installation instructions shall identify the specific plastic *piping* material. The plastic pipe venting materials and sealants used to connect pipes and fittings in plastic exhausts shall be *labeled* in accordance with the product standards specified by the *appliance* manufacturer and shall be rated to meet or exceed the temperature ratings of the appliance exhaust or shall be *listed* and *labeled* in accordance with UL 1738.

CHIMNEYS AND VENTS

**[S] TABLE 503.8
THROUGH-THE-WALL VENT TERMINAL CLEARANCE**

FIGURE CLEARANCE	CLEARANCE LOCATION	MINIMUM CLEARANCE FOR DIRECT-VENT TERMINALS	MINIMUM CLEARANCE FOR NONDIRECT-VENT TERMINALS
A	Clearance above finished grade level, veranda, porch, deck, or balcony	12 inches	
B	Clearance to window or door that is openable	6 inches: Appliances ≤ 10,000 Btu/h 9 inches: Appliances > 10,000 Btu/h ≤ 50,000 Btu/h 12 inches: Appliances > 50,000 Btu/h ≤ 150,000 Btu/h Appliances > 150,000 Btu/h, in accordance with the appliance manufacturer's instructions and not less than the clearances specified for nondirect-vent terminals in Row B	4 feet below or to side of opening or 1 foot above opening
C	Clearance to nonopenable window	None unless otherwise specified by the appliance manufacturer	
D	Vertical clearance to ventilated soffit located above the terminal within a horizontal distance of 2 feet from the centerline of the terminal	None unless otherwise specified by the appliance manufacturer	
E	Clearance to unventilated soffit	None unless otherwise specified by the appliance manufacturer	
F	Clearance to outside corner of building	None unless otherwise specified by the appliance manufacturer	
G	Clearance to inside corner of building	None unless otherwise specified by the appliance manufacturer	
H	Clearance to each side of centerline extended above regulator vent outlet	3 feet up to a height of 15 feet above the regulator vent outlet	
I	Clearance to service regulator vent outlet in all directions	3 feet for gas pressures up to 2 psi; 10 feet for gas pressures above 2 psi	
J	Clearance to nonmechanical air supply inlet to building and the combustion air inlet to any other appliance	Same clearance as specified for Row B	
K	Clearance to a mechanical air supply inlet	10 feet horizontally from inlet or 3 feet above inlet	
L	Clearance above paved sidewalk or paved driveway located on public property	7 feet and shall not be located above public walkways or other areas where condensate or vapor can cause a nuisance or hazard	
M	Clearance to underside of veranda, porch, deck, or balcony	12 inches where the area beneath the veranda, porch, deck or balcony is open on not less than two sides. The vent terminal is prohibited in this location where only one side is open.	
N	<u>Clearance of exit terminals of mechanical draft systems above finished ground level</u>	<u>7 feet where located adjacent to public walkways and not less than 10 feet from lot lines or adjacent buildings.</u>	

For SI: 1 inch = 25.4 mm, 1 foot = 304.8 mm, 1 Btu/h = 0.293 W.

[M] **614.5 Dryer exhaust duct power ventilators.** Domestic dryer exhaust duct power ventilators shall be listed and *labeled* to UL 705 for use in dryer exhaust duct systems. The dryer exhaust duct power ventilator shall be installed in accordance with the manufacturer’s instructions.

[M] **614.6 Booster fans prohibited.** Domestic booster fans shall not be installed in dryer exhaust systems.

[M] **614.7 Makeup air.** Installations exhausting more than 200 cfm (0.09 m³/s) shall be provided with makeup air.

[M] **614.7.1 Closet installation.** Where a closet is designed for the installation of a clothes dryer, an opening having an area of not less than 100 square inches (645 mm²) for makeup air shall be provided in the closet enclosure, or makeup air shall be provided by other approved means.

[M] **614.8 Protection required.** Protective shield plates shall be placed where nails or screws from finish or other work are likely to penetrate the clothes dryer exhaust duct. Shield plates shall be placed on the finished face of all framing members where there is less than 1-1/4 inches (32 mm) between the duct and the finished face of the framing member. Protective shield plates shall be constructed of steel, shall have a minimum thickness of 0.062 inch (1.6 mm) and shall extend not less than 2 inches (51 mm) above sole plates and below top plates.

[M] **614.9 Domestic clothes dryer exhaust ducts.** Exhaust ducts for domestic clothes dryers shall conform to the requirements of Sections 614.9.1 through 614.9.6.

[M] **614.9.1 Material and size.** Exhaust ducts shall have a smooth interior finish and shall be constructed of metal not less than 0.016 inch (0.4 mm) in thickness. The exhaust duct size shall be 4 inches (102 mm) nominal in diameter.

[M] **614.9.2 Duct installation.** Exhaust ducts shall be supported at 4-foot (1219 mm) intervals and secured in place. The insert end of the duct shall extend into the adjoining duct or fitting in the direction of airflow. Ducts shall not be joined with screws or similar fasteners that protrude more than 1/8 inch (3.2 mm) into the inside of the duct. Where dryer exhaust ducts are enclosed in wall or ceiling cavities, such cavities shall allow the installation of the duct without deformation.

[M] **614.9.3 Transition ducts.** Transition ducts used to connect the dryer to the exhaust duct system shall be a single length that is *listed* and *labeled* in accordance with UL 2158A. Transition ducts shall be not more than 8 feet (2438 mm) in length, and shall not be concealed within construction.

[M] **614.9.4 Duct length.** The maximum allowable exhaust duct length shall be determined by one of the methods specified in Sections 614.9.1 through 614.9.4.3.

[M] **614.9.4.1 Specified length.** The maximum length of the exhaust duct shall be 35 feet (10 668 mm) from the connection to the transition duct from the dryer to the outlet terminal. Where fittings are utilized, the maximum length of the exhaust duct shall be reduced in accordance with Table 614.9.4.1.

[M] TABLE 614.9.4.1
DRYER EXHAUST DUCT FITTING EQUIVALENT LENGTH

DRYER EXHAUST DUCT FITTING TYPE	EQUIVALENT LENGTH
4-inch radius mitered 45-degree elbow	2 feet, 6 inches
4-inch radius mitered 90-degree elbow	5 feet
6-inch radius smooth 45-degree elbow	1 foot
6-inch radius smooth 90-degree elbow	1 foot, 9 inches
8-inch radius smooth 45-degree elbow	1 foot
8-inch radius smooth 90-degree elbow	1 foot, 7 inches
10-inch radius smooth 45-degree elbow	9 inches
10-inch radius smooth 90-degree elbow	1 foot, 6 inches

For SI: 1 inch = 25.4 mm, 1 foot = 304.8 mm, 1 degree = 0.01745 rad.

[S][M] **614.9.4.2 Manufacturer’s instructions.** The maximum length of the exhaust duct shall be determined by the dryer manufacturer’s installation instructions. The *code official* shall be provided with a copy of the installation instructions for the make and model of the dryer. Where the exhaust duct is to be concealed, the installation instructions shall be provided to the *code official* prior to the concealment inspection. In the absence of fitting equivalent length calculations from the clothes dryer manufacturer, Table 614.9.1 shall be utilized.

Exception: The maximum length of the duct may be increased in an engineered exhaust system when a listed and labeled dryer exhaust booster fan is installed in accordance with the manufacturer’s installation instructions.

[M] **614.9.4.3 Dryer exhaust duct power ventilator length.** The maximum length of the exhaust duct shall be determined by the dryer exhaust duct power ventilator manufacturer’s installation instructions.

[M] **614.9.5 Length identification.** Where the exhaust duct equivalent length exceeds 35 feet (10 668 mm), the equivalent length of the exhaust duct shall be identified on a permanent label or tag. The label or tag shall be located within 6 feet (1829 mm) of the exhaust duct connection.

615.6.1 Timers. A timer, if provided to control main burner operation, shall have a maximum operating time of 1 hour. The control for the timer shall be located outside the sauna room.

615.7 Sauna room. A ventilation opening into the sauna room shall be provided. The opening shall be not less than 4 inches by 8 inches (102 mm by 203 mm) located near the top of the door into the sauna room.

615.7.1 Warning notice. The following permanent notice, constructed of *approved* material, shall be mechanically attached to the sauna room on the outside:

WARNING: DO NOT EXCEED 30 MINUTES IN SAUNA. EXCESSIVE EXPOSURE CAN BE HARMFUL TO HEALTH. ANY PERSON WITH POOR HEALTH SHOULD CONSULT A PHYSICIAN BEFORE USING SAUNA.

The words shall contrast with the background and the wording shall be in letters not less than 1/4 inch (6.4 mm) high.

Exception: This section shall not apply to one- and two-family dwellings.

SECTION 616 (IFGC) ENGINE AND GAS TURBINE-POWERED EQUIPMENT

616.1 Powered equipment. Permanently installed *equipment* powered by internal combustion engines and turbines shall be installed in accordance with the manufacturer's instructions and NFPA 37. Stationary engine generator assemblies shall meet the requirements of UL 2200.

616.2 Gas supply connection. *Equipment* powered by internal combustion engines and turbines shall not be rigidly connected to the gas supply *piping*.

SECTION 617 (IFGC) POOL AND SPA HEATERS

617.1 General. Pool and spa heaters shall be *listed* in accordance with ANSI Z21.56/CSA 4.7 and shall be installed in accordance with the manufacturer's instructions.

[S] SECTION 618 (IFGC) ~~((FORCED-AIR WARM-AIR FURNACES))~~ AIR-HANDLING UNITS

618.1 General. Forced-air warm-air furnaces shall be *listed* in accordance with ANSI Z21.47/CSA 2.3 or UL 795 and shall be installed in accordance with the manufacturer's instructions.

618.2 Dampers. Volume dampers shall not be placed in the air inlet to a furnace in a manner that will reduce the required air to the furnace.

[S] 618.3 Prohibited sources. Outdoor or return air for forced-air heating and cooling systems shall not be taken from the following locations:

1. Closer than 10 feet (3048 mm) from an *appliance* vent outlet, a vent opening from a plumbing drainage system or the discharge outlet of an exhaust fan, unless the outlet is 3 feet (914 mm) above the outside air inlet.
2. Where there is the presence of objectionable odors, fumes or flammable vapors; or where located less than 10 feet (3048 mm) above the surface of any abutting public way or driveway; or where located at grade level by a sidewalk, street, alley or driveway.
3. A hazardous or insanitary location or a refrigeration machinery room as defined in the *International Mechanical Code*.
4. A room or space, the volume of which is less than 25 percent of the entire volume served by such system. Where connected by a permanent opening having an area sized in accordance with this code, adjoining rooms or spaces shall be considered to be a single room or space for the purpose of determining the volume of such rooms or spaces.

Exception: The minimum volume requirement shall not apply where the amount of return air taken from a room or space is less than or equal to the amount of supply air delivered to such room or space.

5. A room or space containing an *appliance* where such a room or space serves as the sole source of return air.

Exception: This shall not apply where:

1. The *appliance* is a direct-vent *appliance* or an *appliance* not requiring a vent in accordance with Section 501.8.

SPECIFIC APPLIANCES

2. The room or space complies with the following requirements:
 - 2.1. The return air shall be taken from a room or space having a volume exceeding 1 cubic foot for each 10 Btu/h (9.6 L/W) of combined input rating of all fuel-burning appliances therein.
 - 2.2. The volume of supply air discharged back into the same space shall be approximately equal to the volume of return air taken from the space.
 - 2.3. Return-air inlets shall not be located within 10 feet (3048 mm) of a draft hood in the same room or space or the combustion chamber of any atmospheric burner *appliance* in the same room or space.
3. Rooms or spaces containing solid fuel-burning appliances, provided that return-air inlets are located not less than 10 feet (3048 mm) from the firebox of such appliances.
6. A closet, bathroom, toilet room, kitchen, garage, boiler room, furnace room or unconditioned attic.

Exceptions:

1. Where return air intakes are located not less than 10 feet (3048 mm) from cooking appliances and serve only the kitchen area, taking return air from a kitchen area shall not be prohibited.
2. Dedicated forced air systems serving only a garage shall not be prohibited from obtaining return air from the garage.
7. A crawl space, ~~((by means of direct connection to the return side of a forced air system. Transfer openings in the crawl space enclosure shall not be prohibited.))~~

618.4 Screen. Required outdoor air inlets for residential portions of a building shall be covered with a screen having 1/4-inch (6.4 mm) openings. Required outdoor air inlets serving a nonresidential portion of a building shall be covered with screen having openings larger than 1/4 inch (6.4 mm) and not larger than 1 inch (25 mm).

618.5 Return-air limitation. Return air from one *dwelling unit* shall not be discharged into another *dwelling unit*.

618.6 (IFGS) Furnace plenums and air ducts. Where a furnace is installed so that supply ducts carry air circulated by the furnace to areas outside of the space containing the furnace, the return air shall be handled by a duct(s) sealed to the furnace casing and terminating outside of the space containing the furnace. Return air shall not be taken from the mechanical room containing the furnace.

SECTION 619 (IFGC) CONVERSION BURNERS

619.1 Conversion burners. The installation of conversion burners shall conform to ANSI Z21.8.

SECTION 620 (IFGC) UNIT HEATERS

620.1 General. Unit heaters shall be *listed* in accordance with ANSI Z83.8/CSA 2.6 and shall be installed in accordance with the manufacturer's instructions.

620.2 Support. Suspended-type unit heaters shall be supported by elements that are designed and constructed to accommodate the weight and dynamic loads. Hangers and brackets shall be of *noncombustible material*.

620.3 Ductwork. Ducts shall not be connected to a unit heater unless the heater is *listed* for such installation.

620.4 Clearance. Suspended-type unit heaters shall be installed with clearances to *combustible materials* of not less than 18 inches (457 mm) at the sides, 12 inches (305 mm) at the bottom and 6 inches (152 mm) above the top where the unit heater has an internal draft hood or 1 inch (25 mm) above the top of the sloping side of the vertical draft hood.

Floor-mounted-type unit heaters shall be installed with clearances to *combustible materials* at the back and one side only of not less than 6 inches (152 mm). Where the flue gases are vented horizontally, the 6-inch (152 mm) *clearance* shall be measured from the draft hood or vent instead of the rear wall of the unit heater. Floor-mounted-type unit heaters shall not be installed on combustible floors unless *listed* for such installation.

Clearances for servicing all unit heaters shall be in accordance with the manufacturer's installation instructions.

Exception: Unit heaters *listed* for reduced *clearance* shall be permitted to be installed with such clearances in accordance with their listing and the manufacturer's instructions.

620.5 (IFGS) Installation in commercial garages and aircraft hangars. Unit heaters installed in garages for more than three motor vehicles or in aircraft hangars shall be installed in accordance with Sections 305.9, 305.10 and 305.11.

SPECIFIC APPLIANCES

1. The underside of the *combustible material* or metal cabinet above the cooking top is protected with not less than 1/4-inch (6.4 mm) insulating millboard covered with sheet metal not less than 0.0122 inch (0.3 mm) thick.
2. A metal ventilating hood constructed of sheet metal not less than 0.0122 inch (0.3 mm) thick is installed above the cooking top with a *clearance* of not less than 1/4 inch (6.4 mm) between the hood and the underside of the *combustible material* or metal cabinet. The hood shall have a width not less than the width of the *appliance* and shall be centered over the *appliance*.
3. A cooking *appliance* or microwave oven is installed over a cooking *appliance* and in compliance with the terms of the manufacturer's installation instructions for the upper appliance.

SECTION 624 (IFGC) WATER HEATERS

[S] 624.1 General. Water heaters shall be ~~((listed in accordance with ANSI Z21.10.1/CSA 4.1 or ANSI Z21.10.3/CSA 4.3 and shall be installed in accordance with the manufacturer's instructions))~~ installed in accordance with the *Uniform Plumbing Code* and *Seattle Electrical Code*.

~~((Water heaters utilizing fuels other than fuel gas shall be regulated by the *International Mechanical Code*.~~

~~**624.1.1 Installation requirements.** The requirements for water heaters relative to sizing, relief valves, drain pans and scald protection shall be in accordance with the *International Plumbing Code*.)~~

~~**[S] ((624.2 Water heaters utilized for space heating.** Water heaters utilized both to supply potable hot water and provide hot water for space heating applications shall be *listed* and *labeled* for such applications by the manufacturer and shall be installed in accordance with the manufacturer's instructions and the *International Plumbing Code*.)~~

SECTION 625 (IFGC) REFRIGERATORS

625.1 General. Refrigerators shall be *listed* in accordance with ANSI Z21.19/CSA 1.4 and shall be installed in accordance with the manufacturer's instructions.

Refrigerators shall be provided with adequate clearances for ventilation at the top and back, and shall be installed in accordance with the manufacturer's instructions. If such instructions are not available, not less than 2 inches (51 mm) shall be provided between the back of the refrigerator and the wall and not less than 12 inches (305 mm) above the top.

SECTION 626 (IFGC) GAS-FIRED TOILETS

626.1 General. Gas-fired toilets shall be tested in accordance with ANSI Z21.61 and installed in accordance with the manufacturer's instructions.

626.2 Clearance. A gas-fired toilet shall be installed in accordance with its listing and the manufacturer's instructions, provided that the *clearance* shall in any case be sufficient to afford ready *access* for use, cleanout and necessary servicing.

SECTION 627 (IFGC) AIR-CONDITIONING APPLIANCES

627.1 General. Gas-fired air-conditioning *appliances* shall be *listed* in accordance with ANSI Z21.40.1/CGA 2.91 or ANSI Z21.40.2/CGA 2.92 and shall be installed in accordance with the manufacturer's instructions.

627.2 Independent piping. Gas *piping* serving heating *appliances* shall be permitted to also serve cooling appliances where such heating and cooling appliances cannot be operated simultaneously (see Section 402).

627.3 Connection of gas engine-powered air conditioners. To protect against the effects of normal vibration in service, gas engines shall not be rigidly connected to the gas supply *piping*.

627.4 Clearances for indoor installation. Air-conditioning *appliances* installed in rooms other than alcoves and closets shall be installed with clearances not less than those specified in Section 308.3 except that air-conditioning appliances *listed* for installation at lesser clearances than those specified in Section 308.3 shall be permitted to be installed in accordance with such listing and the manufacturer's instructions and air-conditioning appliances *listed* for installation at greater clearances than those specified in Section 308.3 shall be installed in accordance with such listing and the manufacturer's instructions.

Air-conditioning appliances installed in rooms other than alcoves and closets shall be permitted to be installed with reduced clearances to *combustible material*, provided that the *combustible material* is protected in accordance with Table 308.2.

SECTION 630 (IFGC) INFRARED RADIANT HEATERS

■ **630.1 General.** Infrared radiant heaters shall be *listed* in accordance with ANSI Z83.19 or Z83.20 and shall be installed in accordance with the manufacturer’s instructions.

630.2 Support. Infrared radiant heaters shall be fixed in a position independent of gas and electric supply lines. Hangers and brackets shall be of *noncombustible material*.

630.3 (IFGS) Combustion and ventilation air. Where unvented infrared heaters are installed, natural or mechanical means shall provide outdoor ventilation air at a rate of not less than 4 cfm per 1,000 Btu/h (0.38 m³/min/kW) of the aggregate input rating of all such heaters installed in the space. Exhaust openings for removing flue products shall be above the level of the heaters.

630.4 (IFGS) Installation in commercial garages and aircraft hangars. Overhead infrared heaters installed in garages for more than three motor vehicles or in aircraft hangars shall be installed in accordance with Sections 305.9, 305.10 and 305.11.

SECTION 631 (IFGC) BOILERS

[S] **631.1 Standards.** Boilers shall ~~((be listed in accordance with the requirements of ANSI Z21.13/CSA 4.9 or UL 795))~~ comply with the *Seattle Boiler and Pressure Vessel Code*. ~~((If applicable, the boiler shall be designed and constructed in accordance with the requirements of ASME CSD 1 and as applicable, the ASME Boiler and Pressure Vessel Code, Sections I, II, IV, V and IX and NFPA 85.))~~

[S] ~~((**631.2 Installation.** In addition to the requirements of this code, the installation of boilers shall be in accordance with the manufacturer’s instructions and the *International Mechanical Code*. Operating instructions of a permanent type shall be attached to the boiler. Boilers shall have all controls set, adjusted and tested by the installer. A complete control diagram together with complete boiler operating instructions shall be furnished by the installer. The manufacturer’s rating data and the nameplate shall be attached to the boiler.))~~

[S] ~~((**631.3 Clearance to combustible materials.** Clearances to *combustible materials* shall be in accordance with Section 308.4.))~~

[S] SECTION 632 (IFGC) ~~((EQUIPMENT INSTALLED IN EXISTING UNLISTED BOILERS))~~ RESERVED

~~((**632.1 General.** Gas *equipment* installed in existing unlisted boilers shall comply with Section 631.1 and shall be installed in accordance with the manufacturer’s instructions and the *International Mechanical Code*.))~~

SECTION 633 (IFGC) STATIONARY FUEL-CELL POWER SYSTEMS

[F] **633.1 General.** Stationary fuel-cell power systems having a power output not exceeding 10 MW shall be tested in accordance with ANSI/CSA FC 1 and shall be installed in accordance with the manufacturer’s instructions, NFPA 853, the *International Building Code* and the *International Fire Code*.

SECTION 634 (IFGC) GASEOUS HYDROGEN SYSTEMS

634.1 Installation. The installation of gaseous hydrogen systems shall be in accordance with the applicable requirements of this code, the *International Fire Code* and the *International Building Code*.

SECTION 635 (IFGC) OUTDOOR DECORATIVE APPLIANCES

■ **635.1 General.** Permanently fixed-in-place outdoor decorative *appliances* shall be *listed* in accordance with ANSI Z21.97 and shall be installed in accordance with the manufacturer’s instructions.

GASEOUS HYDROGEN SYSTEMS

Exception: A locked-open shutoff valve on containers equipped with multiple pressure relief device installations where the arrangement of the valves provides the full required flow through the minimum number of required relief devices at all times.

[F] 703.3.2 Installation. Valves and other mechanical restrictions shall not be located between the pressure relief device and the point of release to the atmosphere.

[F] 703.3.3 Containers. Containers shall be provided with pressure relief devices in accordance with the ASME Boiler and Pressure Vessel Code (Section VIII), DOTn 49 CFR, Parts 100-180 and Section 703.3.7.

[F] 703.3.4 Vessels other than containers. Vessels other than containers shall be protected with pressure relief devices in accordance with the ASME Boiler and Pressure Vessel Code (Section VIII), or DOTn 49 CFR, Parts 100-180.

[F] 703.3.5 Sizing. Pressure relief devices shall be sized in accordance with the specifications to which the container was fabricated. The relief device shall be sized to prevent the maximum design pressure of the container or system from being exceeded.

[F] 703.3.6 Protection. Pressure relief devices and any associated vent *pipng* shall be designed, installed and located so that their operation will not be affected by water or other debris accumulating inside the vent or obstructing the vent.

[F] 703.3.7 Access. Pressure relief devices shall be located such that they are provided with ready *access* for inspection and repair.

[F] 703.3.8 Configuration. Pressure relief devices shall be arranged to discharge unobstructed in accordance with Section 2309 of the *International Fire Code*. Discharge shall be directed to the outdoors in such a manner as to prevent impingement of escaping gas on personnel, containers, *equipment* and adjacent structures and to prevent introduction of escaping gas into enclosed spaces. The discharge shall not terminate under eaves or canopies.

Exception: This section shall not apply to DOTn-specified containers with an internal volume of 2 cubic feet (0.057 m³) or less.

[F] 703.4 Venting. Relief device vents shall be terminated in an *approved* location in accordance with Section 2309 of the *International Fire Code*.

[F] 703.5 Security. Compressed gas containers, cylinders, tanks and systems shall be secured against accidental dislodgement in accordance with Chapter 53 of the *International Fire Code*.

[S][F] 703.6 Electrical wiring and equipment. Electrical wiring and *equipment* shall comply with ((NFPA-70)) the Seattle Electrical Code.

SECTION 704 (IFGC) PIPING, USE AND HANDLING

704.1 Applicability. Use and handling of containers, cylinders, tanks and hydrogen gas systems shall comply with this section. Gaseous hydrogen systems, *equipment* and machinery shall be *listed* or *approved*.

704.1.1 Controls. Compressed gas system controls shall be designed to prevent materials from entering or leaving process or reaction systems at other than the intended time, rate or path. Automatic controls shall be designed to be fail safe in accordance with accepted engineering practice.

704.1.2 Piping systems. *Piping*, tubing, valves and fittings conveying gaseous hydrogen shall be designed and installed in accordance with Sections 704.1.2.1 through 704.1.2.5.1, Chapter 50 of the *International Fire Code*, and ASME B31.12. Cast-iron pipe, valves and fittings shall not be used.

704.1.2.1 Sizing. Gaseous hydrogen *pipng* shall be sized in accordance with *approved* engineering methods.

704.1.2.2 Identification of hydrogen piping systems. Hydrogen *pipng* systems shall be marked in accordance with ANSI A13.1. Markings used for *pipng* systems shall consist of the name of the contents and shall include a direction-of-flow arrow. Markings shall be provided at all of the following locations:

1. At each valve.
2. At wall, floor and ceiling penetrations.
3. At each change of direction.
4. At intervals not exceeding 20 feet (6096 mm).

704.1.2.3 Piping design and construction. *Piping* and tubing materials shall be 300 series stainless steel or materials *listed* or *approved* for hydrogen service and the use intended through the full range of operating conditions to which they will be subjected. *Piping* systems shall be designed and constructed to provide allowance for expansion, contraction, vibration, settlement and fire exposure.

IFGC/IFGS CHAPTER 8

REFERENCED STANDARDS

User note:

About this chapter: Chapter 8 lists the full title, edition year and address of the promulgator for all standards that are referenced in the code. The section numbers in which the standards are referenced are also listed.

This chapter lists the standards that are referenced in various sections of this document. The standards are listed herein by the promulgating agency of the standard, the standard identification, the effective date and title, and the section or sections of this document that reference the standard. The application of the referenced standards shall be as specified in Section 102.8.

ANSI

American National Standards Institute
25 West 43rd Street 4th Floor
New York, NY 10036

ANSI A13.1—2020: Scheme for the Identification of Piping Systems

704.1.2.2

ANSI FC 1—2014: Fuel cell technologies - Part 3-100: Stationary Fuel Power Systems—Safety

633.1

ANSI LC-4/CSA 6.32—2012: Press-Connect Metallic Fittings for Use in Fuel Gas Distribution Systems

403.9.1, 403.9.2, 403.9.3

ANSI Z21.90/CSA 6.24—2015: Gas Convenience Outlets and Optional Enclosures

411.1

CSA/ANSI NGV 5.1—2016: Residential Fueling Appliances

413.2.3, 413.4

CSA/ANSI NGV 5.2—2017: Vehicle Fueling Appliances (VFA)

413.2.4, 413.5

ANSI LC 1—(~~2016~~) 2018/CSA 6.26—(~~2016~~) 2018: Fuel Gas Piping Systems Using Corrugated Stainless Steel Tubing

403.4.5

ANSI Z21.1—2016/CSA 1.1—2016: Household Cooking Gas Appliances

623.1

Z21.5.1/CSA 7.1—2017: Gas Clothes Dryers—Volume I—Type 1 Clothes Dryers

613.1

Z21.5.2—2016/CSA 7.2—2016: Gas Clothes Dryers—Volume II—Type 2 Clothes Dryers

613.1, 614.3

Z21.8—94 (R2012): Installation of Domestic Gas Conversion Burners

619.1

Z21.10.1/CSA 4.1—2017: Gas Water Heaters—Volume I—Storage Water Heaters with Input Ratings of 75,000 Btu per Hour or Less

624.1

Z21.10.3/CSA 4.3—2017: Gas Water Heaters—Volume III—Storage, Water Heaters with Input Ratings above 75,000 Btu per Hour, Circulating and Instantaneous

624.1

ANSI Z21.11.2—2016: Gas-Fired Room Heaters, Volume II, Unvented Room Heaters

621.1

ANSI Z21.13—2017/CSA 4.9—2017: Gas-fired Low-pressure Steam and Hot Water Boilers

631.1

ANSI Z21.15—2009/CSA 9.1—2009 (2014): Manually Operated Gas Valves for Appliances, Appliance Connector Valves and Hose End Valves

Table 409.1.1

ANSI Z21.19—2014/CSA 1.4—2014: Refrigerators Using Gas Fuel

625.1

ANSI Z21.24—2015/CSA 6.10—2015: Connectors for Gas Appliances

411.1, 411.3

ANSI—continued

- Z83.19—09(R2014): Gas-fired High-Intensity Infrared Heaters**
630.1
- ANSI Z83.20—2016/CSA 2.34—2016: Gas-Fired Tubular and Low-Intensity**
630.1

ASME

American Society of Mechanical Engineers
Two Park Avenue
New York, NY 10016-5990

- B1.20.1—2019: Pipe Threads, General Purpose (inch)**
403.8
- B16.1—2020: Gray Iron Pipe Flanges and Flanged Fittings, Class 25, 125 and 250**
403.11.1
- B16.5—2019: Pipe Flanges and Flanged Fittings: NPS 1/2 through NFPS 24 Metric/Inch Standard**
403.11.2
- B16.20—2017: Metallic Gaskets For Pipe Flanges: Ring-Joint, Spiral-Wound and Jacketed**
403.12.1
- B16.21—2016: Nonmetallic Flat Gaskets for Pipe Flanges**
403.12.2
- B16.24—2021: Cast Copper Alloy Pipe Flanges and Flanged Fittings: Classes 150, 300, 600, 900, 1500 and 2500**
403.11.3
- B16.33—2012(2017): Manually Operated Metallic Gas Valves for Use in Gas Piping Systems up to 125 psig (Sizes 1/2 through 2)**
Table 409.1.1
- B16.38-2012(R2017): Large Metallic Valves for Gas Distribution: Manually Operated, NPS 2 1/2 (DN 65) to NPS 12 (DN 300), 125 psig (8.6 bar) Maximum**
Table 409.1.1
- B16.42—2021: Ductile Iron Pipe Flanges and Flanged Fittings, Classes 150 and 300**
403.11.4
- B16.44—2017: Manually Operated Metallic Gas Valves for Use in Aboveground Piping Systems up to 5 psi**
Table 409.1.1
- B16.47—2020: Large Diameter Steel Flanges: NPS 26 through NPS 60 Metric/Inch Standard**
403.11.2
- B31.3—2020: Process Piping**
704.1.2.4
- B31.12—2019: Hydrogen Piping and Pipelines**
704.1.2, 704.1.2.4, 705.2, 705.3
- B36.10M—2018: Welded and Seamless Wrought-steel Pipe**
403.3.2
- BPVC—2019: ASME Boiler & Pressure Vessel Code**
631.1, 703.2.2, 703.3.3, 703.3.4
- CSD-1—2021: Controls and Safety Devices for Automatically Fired Boilers**
631.1

ASSP

American Society of Safety Professionals
520 N. Northwest Highway
Park Ridge, IL 60068

- Z359.1: The Fall Protection Code**
306.6

CSA

CSA Group
8501 East Pleasant Valley Road
Cleveland, OH 44131-5516

ANSI/CSA FC1—2014 Fuel Cell Technologies—Part 3-100; Stationary Fuel Cell Power Systems—Safety
633.1

ANSI/CSA NGV 5.1—2016: Residential Fueling Appliances
413.2.3, 413.2.4, 413.4

CSA 8—93: Requirements for Gas-fired Log Lighters for Wood Burning Fireplaces
603.1

DOTn

U.S. Department of Transportation
400 Seventh St. SW
Washington, DC 20590

49 CFR—Parts 100–180(2015): Hazardous Materials Regulations
703.2.2, 703.3.3, 703.3.4

49 CFR, Parts 192.281(e) & 192.283 (b)—(2009): Transportation of Natural and Other Gas by Pipeline: Minimum Federal Safety Standards
403.5.1

ICC

International Code Council, Inc.
500 New Jersey Ave, NW
Washington, DC 20001

IBC—21: International Building Code®
102.2.1, 201.3, 301.10, 301.11, 301.12, 301.14, 302.1, 302.2, 305.6, 306.5.1, 306.6, 401.1.1, 412.6,
413.3, 413.3.1, 501.1, 501.3, 501.12, 501.15.4, 501.15.4.1, 609.3, 614.10, 633.1, 634.1, 706.2

IECC—21: International Energy Conservation Code®
301.2

IFC—21: International Fire Code®
201.3, 401.2, 412.1, 412.6, 412.7, 412.8, 413.1, 413.3, 413.3.1, 413.6, 413.10.2.5, 633.1, 701.1, 701.2,
703.2, 703.2.2, 703.3.8, 703.4, 703.5, 704.1.2, 704.3, 704.4, 706.2, 706.3, 707.1, 707.2, 708.1

IMC—21: International Mechanical Code®
101.2.5, 201.3, 301.1.1, 301.13, 304.11, 307.1, 307.5, 501.1, 614.2, 614.10, 618.3, 621.1, 624.1, 631.2,
632.1

~~**(IPC—21: International Plumbing Code®**~~
~~201.3, 301.6, 307.3, 624.1.1, 624.2))~~

IRC—21: International Residential Code®
101.2, 703.2.1

MSS

Manufacturers Standardization Society of the Valve and Fittings Industry
127 Park Street, NE
Vienna, VA 22180

ANSI SP 58—2018: Pipe Hangers and Supports—Materials, Design and Manufacture
407.2

NFPA

National Fire Protection Association
1 Batterymarch Park
Quincy, MA 02169-7471

2—19: Hydrogen Technologies Code
703.1, 706.2

30A—21: Code for Motor Fuel Dispensing Facilities and Repair Garages
305.4, 305.10